

TGP 1025 E / TGP 1025 ES / TGP 1025 ES ES

EN

ORIGINAL INSTRUCTIONS
GARDEN PUMP



Table of contents

Information on the use of these instructions 2

Safety 2

Information about the device..... 6

Transport and storage..... 7

Assembly and installation..... 7

Operation 10

Errors and faults..... 11

Maintenance 12


Technical annex..... 14


Disposal 20


EU Declaration of Conformity (original)..... 21

Information on the use of these instructions


Symbols


 **Warning of electrical voltage**
This symbol indicates dangers to the life and health of persons due to electrical voltage.

 **Warning**
This signal word indicates a hazard with an average risk level which, if not avoided, can result in serious injury or death.

 **Caution**
This signal word indicates a hazard with a low risk level which, if not avoided, can result in minor or moderate injury.

Notice
This signal word indicates important information (e.g. material damage), but does not indicate hazards.

 **Info**
Information marked with this symbol helps you to carry out your tasks quickly and safely.

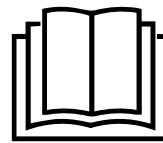
 **Follow the manual**
Information marked with this symbol indicates that the instructions must be observed.

You can download the current version of these instructions via the following link:

TGP 1025 E



<https://hub.trotec.com/?id=42891>



TGP 1025 ES



<https://hub.trotec.com/?id=44029>


TGP 1025 ES ES



<https://hub.trotec.com/?id=44030>

Safety

Read this manual carefully before starting or using the device. Always store the manual in the immediate vicinity of the device or its site of use.

 **Warning**
Read all safety warnings and all instructions. Failure to follow the warnings and instructions may result in electric shock, fire and/or serious injury.
Save all warnings and instructions for future reference.
This appliance can be used by children aged from 8 years and above and persons with reduced physical, sensory or mental capabilities or lack of experience and knowledge if they have been given supervision or instruction concerning use of the appliance in a safe way and understand the hazards involved.
Children shall not play with the appliance. Cleaning and user maintenance shall not be done by children without supervision.

General safety

- Do not use the device in potentially explosive rooms or areas and do not install it there.
- Do not use the device in an aggressive atmosphere.
- Check accessories and connection parts for possible damage prior to every use of the device. Do not use any defective devices or device parts.
- Before carrying out maintenance, care or repair work on the device, remove the mains plug from the mains socket. Hold onto the mains plug while doing so.
- When positioning the device, observe the minimum distances from walls and other objects as well as the storage and operating conditions specified in the Technical annex.
- Do not remove any safety signs, stickers or labels from the device. Keep all safety signs, stickers and labels in legible condition.

General safety warnings – Electrical safety

- The device is to be supplied with a rated residual current of no more than 30 mA by means of an RCD (Residual Current protective Device).
- Ensure that all electric cables outside of the device are protected from damage (e.g. caused by animals). Never use the device if electric cables or the power connection are damaged!
- The mains connection must correspond to the specifications in the Technical annex.
- Insert the mains plug into a properly fused mains socket.
- Switch the device off and disconnect the power cable from the mains socket when the device is not in use.
- Do not under any circumstances use the device if you detect damages on the mains plug or power cable. If the power cable is damaged, it must be replaced by the manufacturer, its service agent or similarly qualified persons in order to avoid a hazard. Defective power cables pose a serious health risk!
- Should there be a risk of flooding, install the plug connections in a flood-proof area. **There is a risk of electric shock!**
- Make sure that the mains voltage corresponds to the specifications on the nameplate.
- Have all electrical installations carried out by an expert according to the national regulations and the device-specific requirements.
- Hold onto the mains plug while pulling the power cable out of the mains socket.

- Protect the power supply cable against heat, oil and sharp edges. Make sure that the power supply cable is not crushed, kinked or subjected to other mechanical stresses.
- Only use splash-proof extension cables intended for outdoor use whilst observing the device's power input. Before using cable drums, always unroll the cable completely. Check the cable for damage. The use of extension cables which are not approved for outdoor use can result in injuries due to electric shock.
- Before performing any work on the device, in case of leaks in the water system, before taking work breaks or when not in use, remove the mains plug from the mains socket.

General safety warnings – Personal safety

- Never use the device with persons or animals in the water or pumping medium or if they could access it. **There is a risk of electric shock!**
- Never insert any objects or limbs into the device.
- This appliance is not a toy. Keep away from children and animals.

Device-specific safety warnings for garden pumps

- Do not position the device in damp shafts. There is a risk of short circuit as well as damage caused by corrosion!
- Please bear in mind, that the device is not suitable for continuous operation (e.g. for watercourses in garden ponds). Check the device for proper functioning on a regular basis.
- The device is not to be carried by holding it at the power supply cable or hose. Do not fasten it there either.
- After the set-up of the device, its mains plug must be readily accessible during operation.
- Wear sturdy shoes to protect yourself against electric shock.
- Before taking the device into operation, have the following checked by an expert:
 - earthing, neutral conductor and RCD must be functioning properly and correspond to the national regulations,
 - electrical plug connections must be protected from moisture.
- Provide appropriate frost protection.
- Never operate the device in the rain. Keep the device away from environmental influences such as wet conditions or frost. In particular, keep the electrical connections dry and make sure they are located in a flood-proof area.

- Never operate the device when dry or with the suction line closed. The intake opening of the suction line must always be submerged in the pumping medium.
- Do not use the device at freezing temperatures or temperatures above 40 °C.
- Do not pump any contaminated media or liquids with a temperature of more than 35 °C. Pumping contaminated media can cause damage to the inside of the device.
- Do not under any circumstances pump brine, aggressive liquids (alkalis, acids, etc.), combustible or explosive liquids (petroleum, petrol, etc.) or food (drinking water, etc.).
- Risk of injury due to hot water. The water inside the device can heat up during operation and cause injuries.
- Check the device for damage at regular intervals prior to use. Pay particular attention to the mains cable and plug. In the event of damage or functional restrictions, the device must no longer be used until it has been repaired by an expert. Only original spare parts may be used for this purpose.
- Do not use the device for drinking water supply, and do not integrate it into the drinking water circuit. In addition, please observe the local regulations of the water and wastewater authorities.

Intended use

The device is designed for pumping clear water serving as service water in the home and garden.

The device can be applied for the following pumping media:

- well water
- rain water from rain barrels or cisterns
- water from ponds and streams (with an appropriate pre-filter)

The device is suitable for the following fields of application:

- watering gardens and vegetable beds
- operating lawn sprinklers
- service water supply in the home and garden

The water temperature must not exceed 35 °C.

Any use other than the intended use is regarded as misuse.

Reasonably foreseeable misuse

- The device is not suitable for continuous operation (e.g. as recirculation pump for ponds).
- Using the device in swimming pools and the like is prohibited.
- The device is not suitable for increasing the pressure of existing water supply networks.
- The device is not suitable for pumping potable water.
- The device must not be used for aggressive, abrasive, caustic, corrosive, combustible or explosive pumping media, e.g.:
 - brine
 - sandy water
 - food
 - cleaning agents
 - fuels (e.g. petrol, diesel)
 - oils
 - greases
 - petroleum
 - nitro-cellulose thinner
 - waste water from lavatories and urinal installations
- The device must not be used at freezing temperatures.
- Any unauthorised modifications, alterations or structural changes to the device are forbidden.

Personnel qualification

People who use this device must:

- be aware of the dangers that occur when working with electric devices in damp areas.
- have read and understood the instructions, especially the Safety chapter.

Safety signs and labels on the device

Notice

Do not remove any safety signs, stickers or labels from the device. Keep all safety signs, stickers and labels in legible condition.

The following safety signs and labels are attached to the device:



Follow the manual

Information marked with this symbol indicates that the instructions must be observed.



Warning of electrical voltage

Information marked with this symbol indicates dangers to the life and health of persons due to electrical voltage.



Do not pull the mains plug by the power cable

This symbol indicates that you must not pull the mains plug out of the socket by the power cable.



Staying in water prohibited

This symbol indicates that the device must not be operated with persons or animals in the water.



Indication of the sound power level L_{WA} in dB

Information marked with this symbol indicates the sound power level L_{WA} in dB.

Residual risks



Warning of electrical voltage

Work on the electrical components must only be carried out by an authorised specialist company!



Warning of electrical voltage

Before any work on the device, remove the mains plug from the mains socket!

Do not touch the mains plug with wet or damp hands. Hold onto the mains plug while pulling the power cable out of the mains socket.



Warning

Dangers can occur at the device when it is used by untrained people in an unprofessional or improper way! Observe the personnel qualifications!



Warning

The device is not a toy and does not belong in the hands of children.



Warning

Risk of suffocation!

Do not leave the packaging lying around. Children may use it as a dangerous toy.

Notice

If you store or transport the device improperly, the device may be damaged.

Note the information regarding transport and storage of the device.

Behaviour in the event of an emergency

1. Switch the device off.
2. Disconnect the device from the mains: Hold onto the mains plug while pulling the power cable out of the mains socket.
3. Do not reconnect a defective device to the mains.

Overheating protection

The device is provided with a thermal protection circuit which is activated by overheating of the device and then switches the device off.

Switch the device off and let it cool down. Investigate the cause of overheating. Should the problem persist, please contact the customer service.

Information about the device

Device description

The device is used to pump service water for the home and garden.

The device is able to suck in clear water from wells, rain water barrels or cisterns from a depth of up to 7 m, and to pump it up to a height of 30 m. The device is equipped with a pressure tank ensuring a constant pressure in the line, even when the device is not operating. Monitoring the pressure in the pressure tank, the integrated automatic switch-on/switch-off function switches the device on as soon as the pressure is below 1.5 bar, and switches the device back off once the pressure of 3 bar is available again.

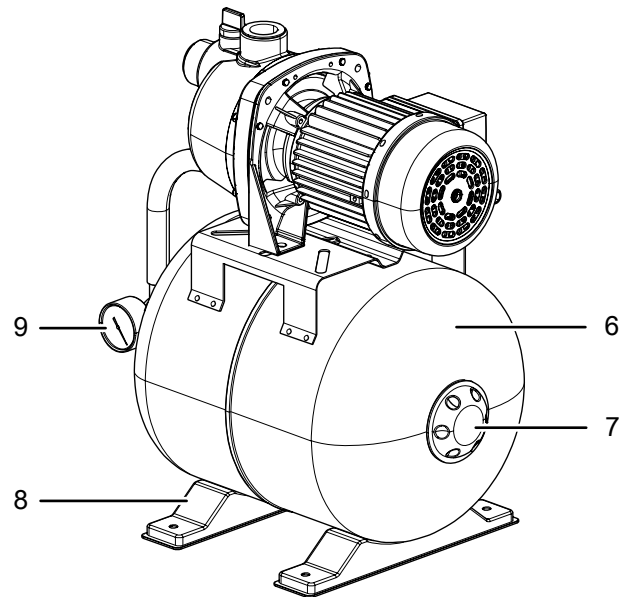
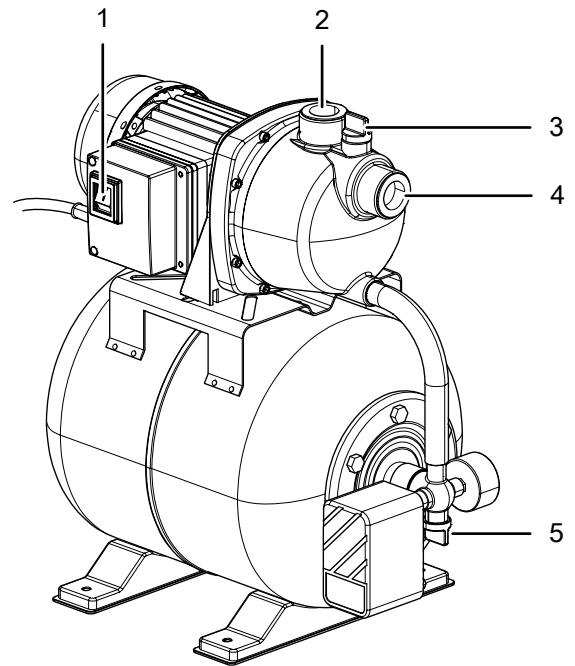
The water temperature must not exceed 35 °C.

For a permanent installation, the device is fitted with feet with drill holes allowing it to be bolted to the ground. The device can be filled with water via the water filler neck. The water can be drained via the water drain nozzle.

The devices differ with regard to the material of their pump housing and pressure tank:

Device	Pump housing	Pressure tank
TGP 1025 E	Plastics	Steel
TGP 1025 ES	Stainless steel	Steel
TGP 1025 ES ES	Stainless steel	Stainless steel

Device depiction



No.	Designation
1	On/off switch with protective cover
2	Connection for pressure line with 1" internal thread
3	Water filler neck with screw plug
4	Connection for suction line with 1" internal thread
5	Water drain nozzle with screw plug
6	Pressure tank
7	Pressure tank valve with protective cap
8	Foot (with drill hole)
9	Pressure gauge

Transport and storage

Notice

If you store or transport the device improperly, the device may be damaged.

Note the information regarding transport and storage of the device.

Transport

Before transporting the device, observe the following:

- Hold onto the mains plug while pulling the power cable out of the mains socket.
- Do not carry the device by holding it at the power cable or hose.

Storage

When the device is not being used, observe the following storage conditions:

- Store the device in a dry location and protected from frost and heat.
- Store the device in an upright position where it is protected from dust and direct sunlight.
- If required, use a cover to protect the device from invasive dust.
- Check whether there is residual water left in the device, and drain any residual water via the water drain nozzle (5) to prevent rust formation.
- Put the protective caps on the pressure and suction connection to protect the inside of the device against dust and dirt.

If you do not use the device for an extended period of time, it must be cleaned thoroughly after its last application and before recommissioning. Deposits and residues could lead to start-up difficulties.

For restart, please proceed according to the Start-up chapter.

Assembly and installation

Scope of delivery

- 1 x Garden pump
- 1 x Manual

Unpacking the device

1. Open the cardboard box and take the device out.
2. Completely remove the packaging.
3. Fully unwind the power cable. Make sure that the power cable is not damaged and that you do not damage it during unwinding.

Start-up

Positioning



Warning of electrical voltage

Do not position the device in damp shafts. There is risk of short circuit!

Notice

Positioning the device in damp shafts can result in damage to the device caused by corrosion!

Select a suitable location for positioning the device. It should meet the following criteria:

- The site of installation is protected from weather exposure and wet conditions.
- The surface is horizontal and level.
- The site of installation can support the weight of the device and the pumped media.

For a permanent installation, the feet (8) of the device can be bolted to the ground.

Connecting the pipe or hose line

The device may be operated using either a hose line or a pipe. Ex factory, the device is delivered with a 1" internal thread.

Please note the following:

- The device cannot be moved flexibly when using a solid pipe.
- Use a pressure line and suction line with a diameter corresponding to the size of the connections or above. A smaller diameter causes pressure loss and thus reduces the feed rate.
- The smaller the delivery head of the pressure line and suction line, the higher the flow rate.
- Connected accessories can cause a pressure loss and reduce the feed rate.

Additionally, please note the following when connecting flexible hose lines:

Notice

If you want to connect a flexible hose as pressure line, do not use a suction hose or a non-pressure-resistant hose. Use pressure-resistant hoses only.

Notice

If you want to connect a flexible hose as suction line, use a vacuum-tight suction hose only.

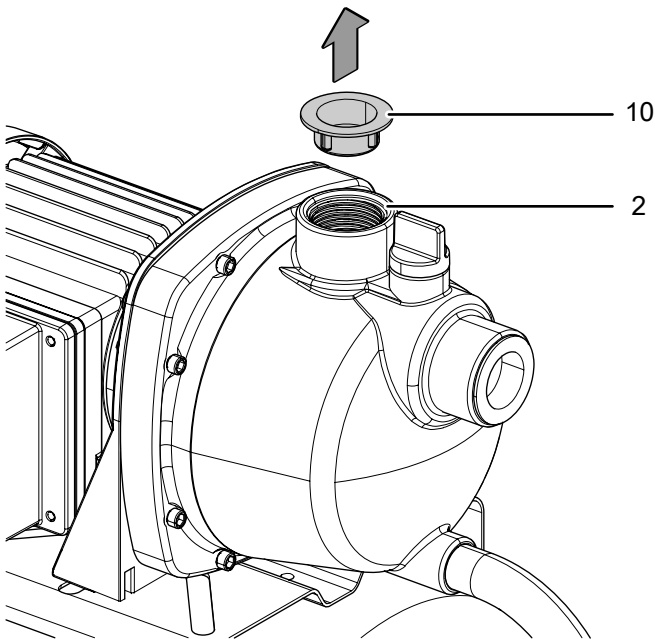
Connecting the pressure line



Warning

Make sure that all parts of the pressure line are installed professionally. In case of an improper assembly or when using unsuitable parts, there is a risk of injury due to the pressurized pumping medium.

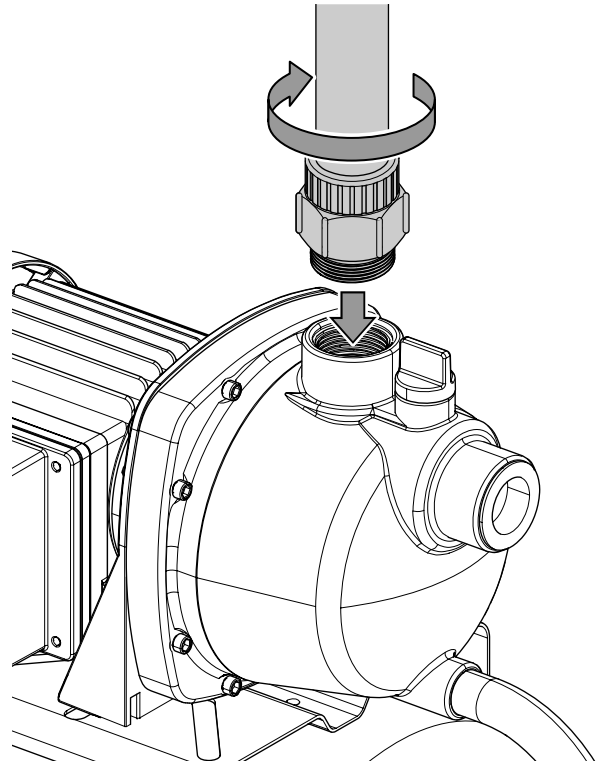
1. Remove the protective cap (10) from the pressure connection (2).



Notice

Keep the protective cap of the pressure connection so you can use it when storing the device to protect the inside of the device against dust and dirt.

2. Connect the pressure line to the pressure connection (2). To do so, apply thread seal tape (e.g. Teflon tape) to the threaded connector of the pressure line to ensure a leak-proof connection.

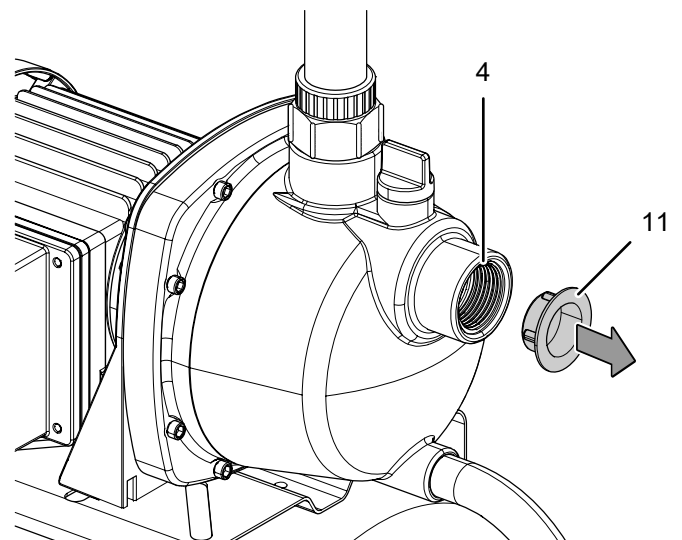


Connecting the suction line

Notice

To ensure proper functioning, you have to use a suction line with check valve. For this purpose, you can also connect an appropriate pre-filter with integrated check valve to the suction line.

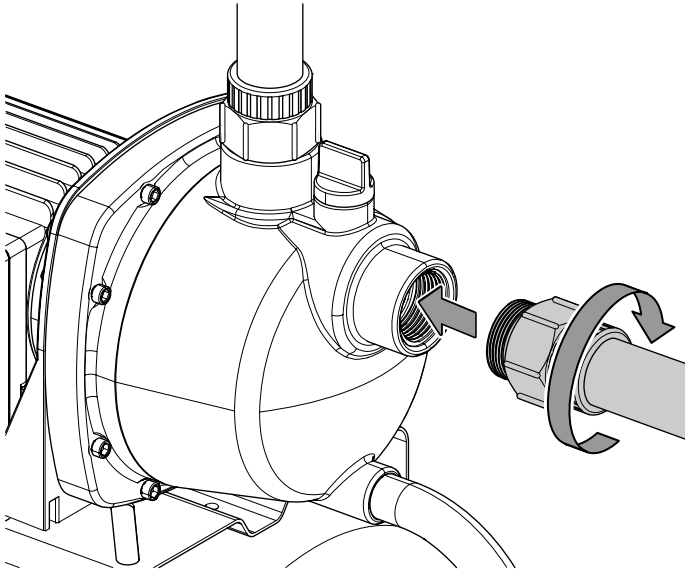
1. Remove the protective cap (11) from the suction connection (4).



Notice

Keep the protective cap of the suction connection so you can use it when storing the device to protect the inside of the device against dust and dirt.

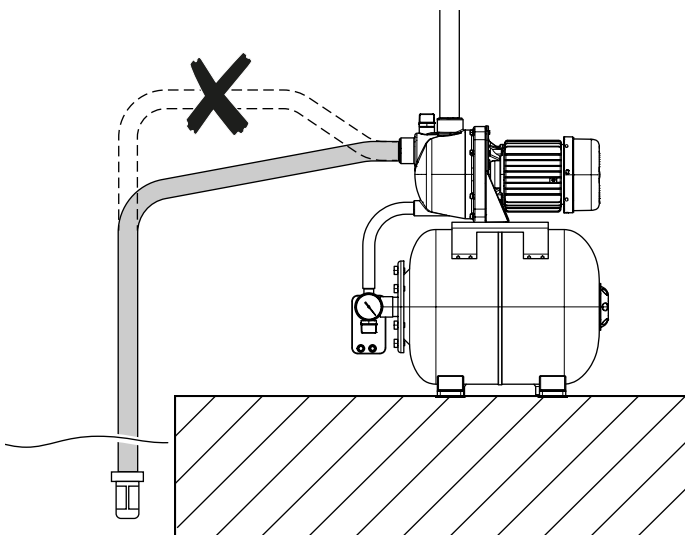
2. Connect the suction line to the suction connection (4).



3. Submerge the intake opening of the suction line at the point of withdrawal, and make sure the intake opening is always sufficiently covered with water.

Notice

Make sure that the suction line is always installed with an upward incline. Otherwise, an air bubble may form at higher parts of the suction line and make the device run dry.



Notice

At the bottom of ponds and other waterbodies deposits may have accumulated over time. To prevent the device from being damaged, do not lower the suction line all the way to the ground. Alternatively, you may also connect a suitable pre-filter with backflow preventer to the suction line.

Filling the device with water

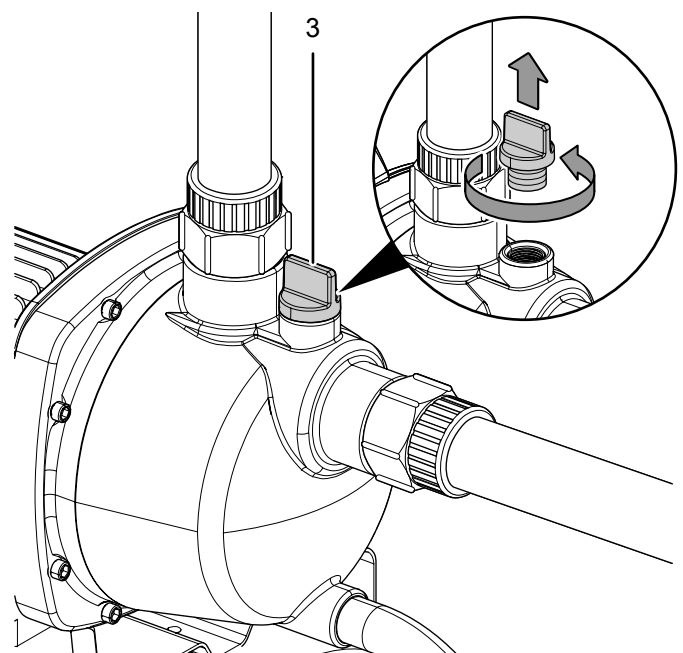


Warning of electrical voltage

There is a risk of electric shock when filling the device with water.

Before filling the device, always make sure that the mains plug has been removed.

1. Open the screw plug at the water filler neck (3).



2. Fill the device with the pumping medium all the way to the edge via the water filler neck (3). The connected suction line should also be completely filled with the pumping medium.
3. Screw the screw plug back onto the water filler neck (3). Ensure a tight fit of the screw plug.

Bleeding the pressure line

Please observe the following information before bleeding or switching the device on:

- Make sure that the mains connection corresponds to the specifications provided in the technical data.
 - Check the mains socket for its proper condition. The mains socket's fusing must be sufficient.
 - Make it impossible for moisture to reach mains plug or socket. **There is a risk of electric shock!**
 - Check whether the pressure and suction line were properly attached.
 - Check the set precharge pressure in the pressure tank. To do so, follow the instructions on Checking the precharge pressure in the pressure tank in the Maintenance chapter.
1. Open all consumers connected to the pressure line to bleed the pressure line.
 2. Switch on the device as described in the Operation chapter and wait until the device has sucked in water or until water flows out of the consumers.

Operation

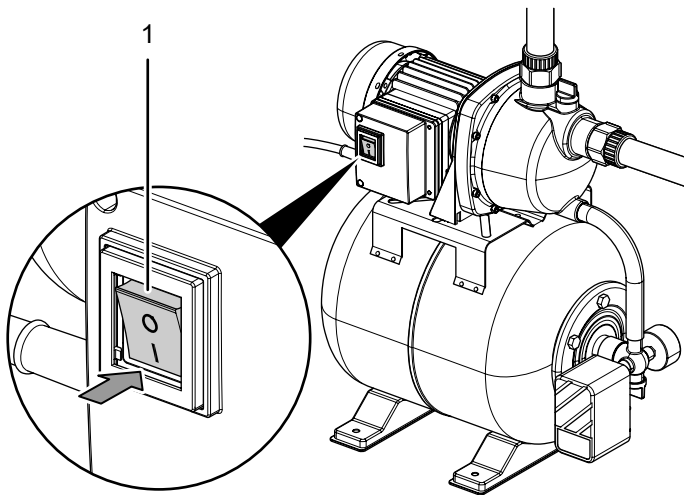


Warning of electrical voltage

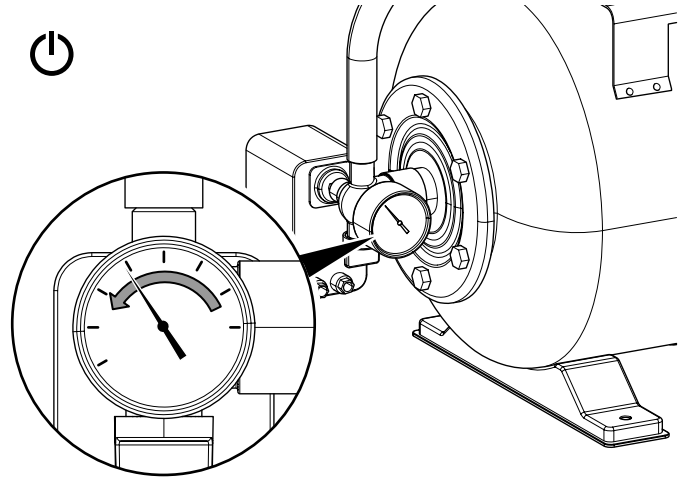
Do not touch the mains plug with wet or damp hands.

Switching the device on

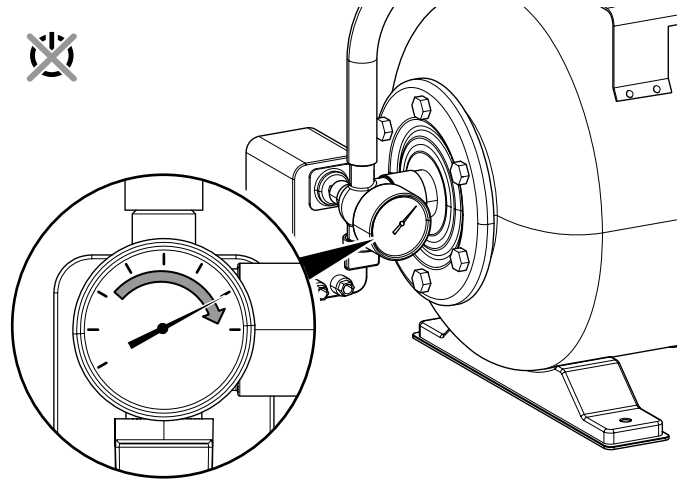
1. Plug the mains plug into a sufficiently fused mains socket.
2. Switch the device on by setting the on/off switch (1) to position I.



⇒ The device is ready for operation and switches on as soon as a pressure drop in the system – generally caused by a consumer at the pressure line being opened – results in a pressure below the switch-on pressure of 1.5 bar.



⇒ The device switches off when – after the consumer has been closed – the pressure in the system rises again and the switch-off pressure of 3 bar is reached.



Shutdown



Warning of electrical voltage

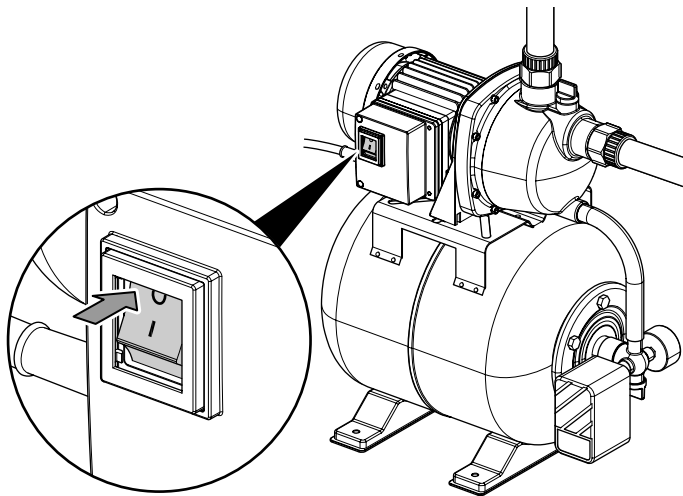
Do not touch the mains plug with wet or damp hands.



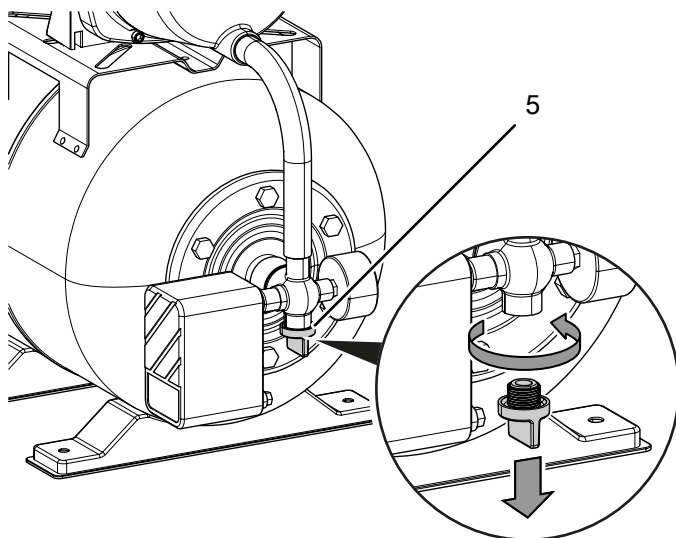
Warning

The device is pressurized. Before opening the screw plug at the water drain nozzle (5) or before disassembling the pressure line, the pressure must be released from the pressure line via the lowest-level consumer.

1. Switch the device off by setting the on/off switch (1) to position **0**.



2. Hold onto the mains plug while pulling the power cable out of the mains socket.
3. Open the lowest-level consumer to reduce the pressure in the pressure line.
4. Open the screw plug at the water drain nozzle (5) to drain any residual water from the pressure line and from the inside of the device.



5. Detach the pressure and suction line.
6. Clean the device according to the Maintenance chapter.
7. Store the device according to the Storage chapter.

Errors and faults



Warning of electrical voltage

Do not touch the mains plug with wet or damp hands.



Warning of electrical voltage

Tasks which require the device to be opened must only be carried out by authorised specialist companies or by the manufacturer.



Warning

The device is pressurized. Before opening the screw plug at the water filler neck (3) or water drain nozzle (5), the pressure must be released from the pressure line via the lowest-level consumer.

Notice

Wait for at least 3 minutes after maintenance and repair work. Only then switch the device back on.

- Switch the device off.
- Hold onto the mains plug while pulling the power cable out of the mains socket.

The device has been checked for proper functioning several times during production. If malfunctions occur nonetheless, check the device according to the following list.

The device does not start:

- Check the power connection.
- Check the power cable and mains plug for damage.
- Check the on-site fusing.
- Check the current pressure on the pressure gauge (9). Only when the pressure is below the switch-on pressure of 1.5 bar will the device switch on and operate until reaching the switch-off pressure of 3 bar.
- The device might have overheated and the thermal protection circuit is activated.
If so, wait for approx. 10 minutes before restarting the device. If the device is not starting, have the electrics checked by a specialist company or by Trotec.
- The water temperature is above 35 °C and the thermal protection circuit is activated.

The device is running, but not sucking in any water:

- Check whether the suction line is submerged in the pumping medium and/or check whether the water level of the pumping medium is sufficient.
- Check whether the screw plugs at the water filler neck (3) and water drain nozzle (5) are completely closed and whether the seal is installed correctly.
- Check the inside of the device for any remaining air. Open the screw plug at the water filler neck (3) and fill the device with water all the way to the edge.
- Check the suction line and the connection for tightness.
- Check whether the suction height is too high, and reduce it if necessary.
- Check whether the hose line is kinked or blocked. Remove kinks and / or blockages.

Insufficient or decreasing conveying capacity:

- Check whether the suction height or delivery head exceeds the max. specifications indicated in the technical data, and reduce it if necessary.
- Check whether the hose line is kinked or blocked. Remove kinks and / or blockages.
- Check whether the suction line is clogged at the intake opening. Remove any dirt.
- Inspect both the pressure and suction line for leaks, and replace them if necessary.

The pump switches on and off too often:

- Check whether the precharge pressure in the pressure tank is set correctly; it should be 1.5 to 1.8 bar. Please refer to the chapter Checking the precharge pressure in the pressure tank.

If the pressure tank cannot maintain the set precharge pressure, the membrane inside the pressure tank is damaged and must be replaced. If so, contact a specialist company or Trotec.

- Check whether the check valve at the suction line is blocked or damaged. Remove the obstruction or replace the check valve.

The device still does not operate correctly after these checks:

Please contact the customer service. If necessary, bring the device to an authorised specialist electrical company or to the manufacturer for repair.

Maintenance

Activities required before starting maintenance



Warning of electrical voltage

Do not touch the mains plug with wet or damp hands.

- Switch the device off.
- Hold onto the mains plug while pulling the power cable out of the mains socket.

Notes on maintenance

Inside the device, there are no parts that need to be maintained or lubricated by the user.

Notice

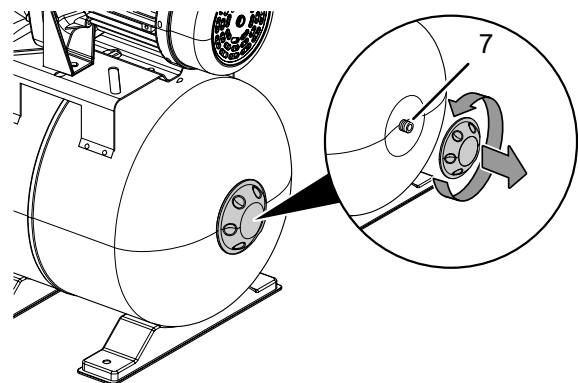
If there is a danger of frost, drain all water from the device via the water drain nozzle (5) to prevent the device from being damaged. Before restart, the device must be filled with water again.

Checking the precharge pressure in the pressure tank

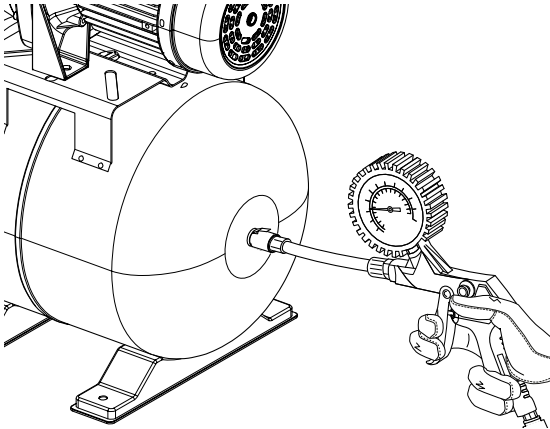
Check the precharge pressure (air pressure) in the pressure tank at regular intervals (initial start-up and every 3 months).

To do so, please proceed as follows:

1. Switch the device off by setting the on/off switch (1) to position 0.
2. Hold onto the mains plug while pulling the power cable out of the mains socket.
3. Open the lowest-level consumer to reduce the pressure in the pressure line.
4. Unscrew the protective cap at the pressure tank valve (7).



5. Use an air gauge to check the precharge pressure at the pressure tank valve (7). It should be 1.5 to 1.8 bar.



6. If necessary, adjust the pressure by pumping in or releasing air.
7. Screw the protective cap back onto the pressure tank valve (7).

Safety signs and labels on the device

Check the safety signs and labels attached to the device at regular intervals. Replace illegible safety signs!

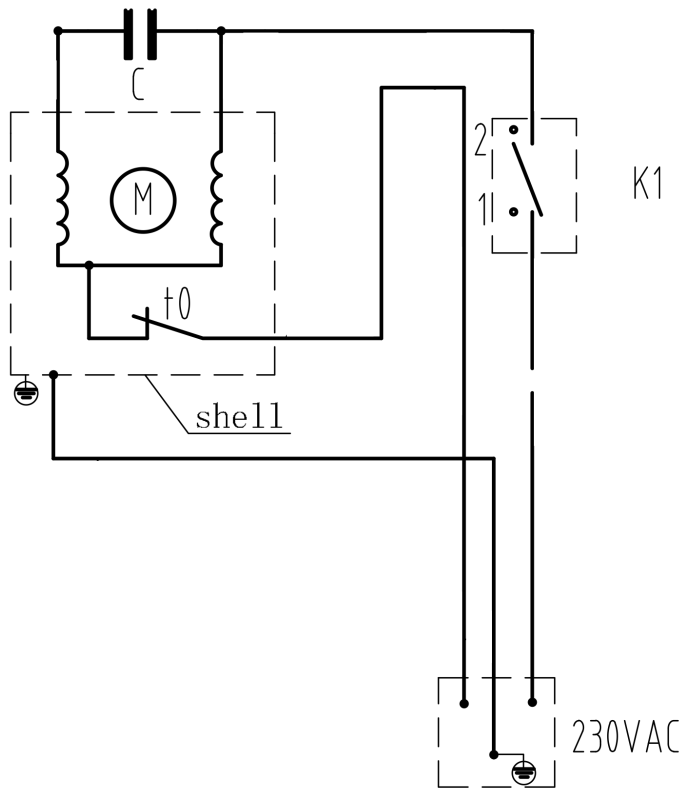
Cleaning

- Clean the device with a soft, damp and lint-free cloth. Protect electrical components from moisture. Do not use any aggressive cleaning agents such as cleaning sprays, solvents, alcohol-based or abrasive cleaners to dampen the cloth.
- Rinse the inside of the device with clear, lukewarm water.

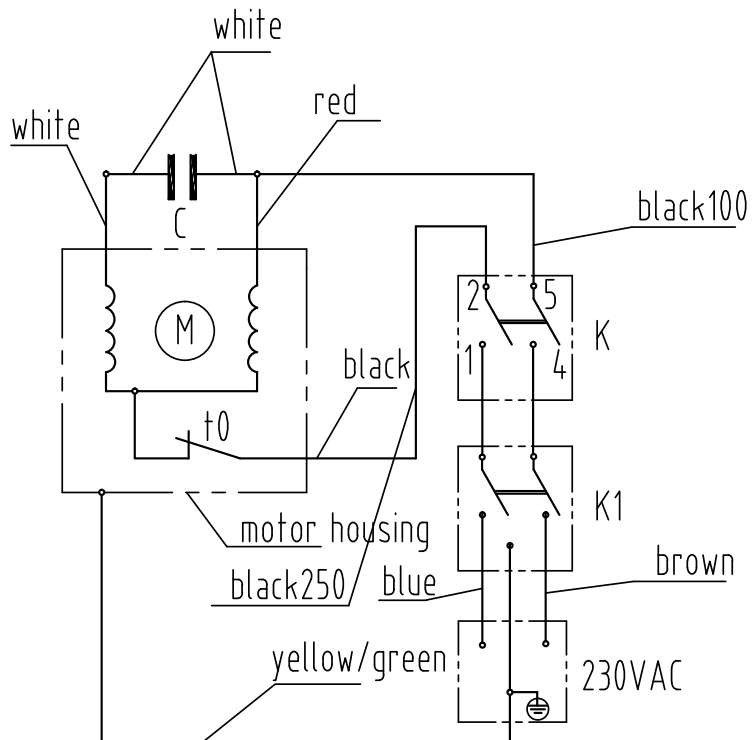
Technical annex
Technical data

Parameter	Value	Value	Value
Model	TGP 1025 E	TGP 1025 ES	TGP 1025 ES ES
Max. flow rate	3300 l/h	3300 l/h	3300 l/h
Max. delivery head	42 m	42 m	42 m
Max. delivery head with pressure tank	30 m	30 m	30 m
Max. suction height	7 m	7 m	7 m
Max. air pressure	3 bar	3 bar	3 bar
Automatic switch-on	1.5 bar	1.5 bar	1.5 bar
Automatic switch-off	3 bar	3 bar	3 bar
Pressure tank	19 l	19 l	19 l
Max. water temperature	35 °C	35 °C	35 °C
Thermal overload protection	150 °C	150 °C	150 °C
Power supply	230 V ~ 50 Hz	230 V ~ 50 Hz	230 V ~ 50 Hz
Power consumption	1000 W	1000 W	1000 W
Protection type of the pump	IPX4	IPX4	IPX4
Protection type of the mains plug	IP44	IP44	IP44
Connection type	CEE 7/7	CEE 7/7	CEE 7/7
Cable length	1.2 m	1.2 m	1.2 m
Protection class	I	I	I
Weight	10.5 kg	11 kg	11 kg
Dimensions (length x width x height)	270 x 453 x 500 (mm)	270 x 453 x 500 (mm)	270 x 453 x 500 (mm)
Max. particle size	2 mm	2 mm	2 mm
Pressure connection	1" internal thread	1" internal thread	1" internal thread
Suction connection	1" internal thread	1" internal thread	1" internal thread
Sound values according to EN ISO 3744:1995			
Sound pressure level L_{pA}	72 dB(A)	72 dB(A)	72 dB(A)
Sound power level L_{WA}	88 dB(A)	88 dB(A)	88 dB(A)
Uncertainty K_{WA}	2 dB(A)	2 dB(A)	2 dB(A)

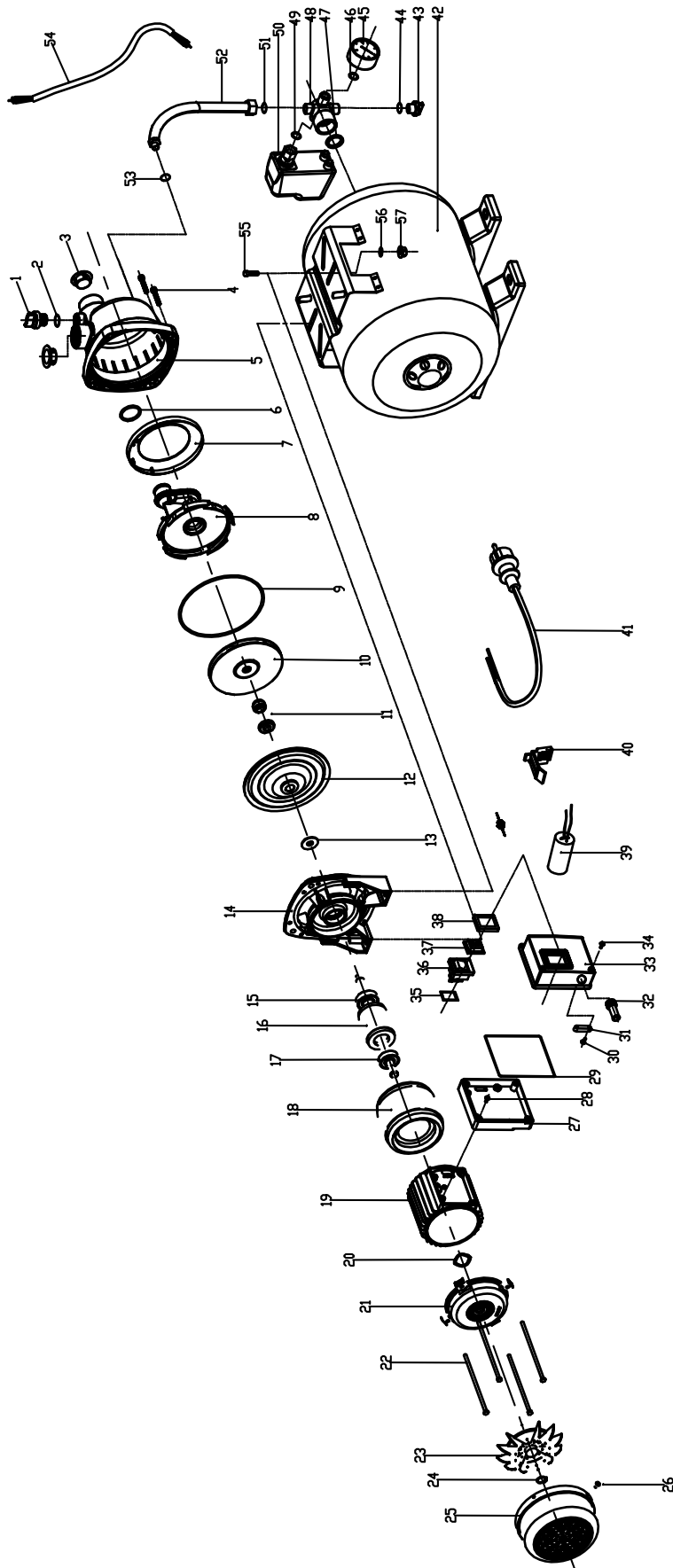
Circuit diagram TGP 1025 E



Circuit diagram TGP 1025 ES / TGP 1025 ES ES

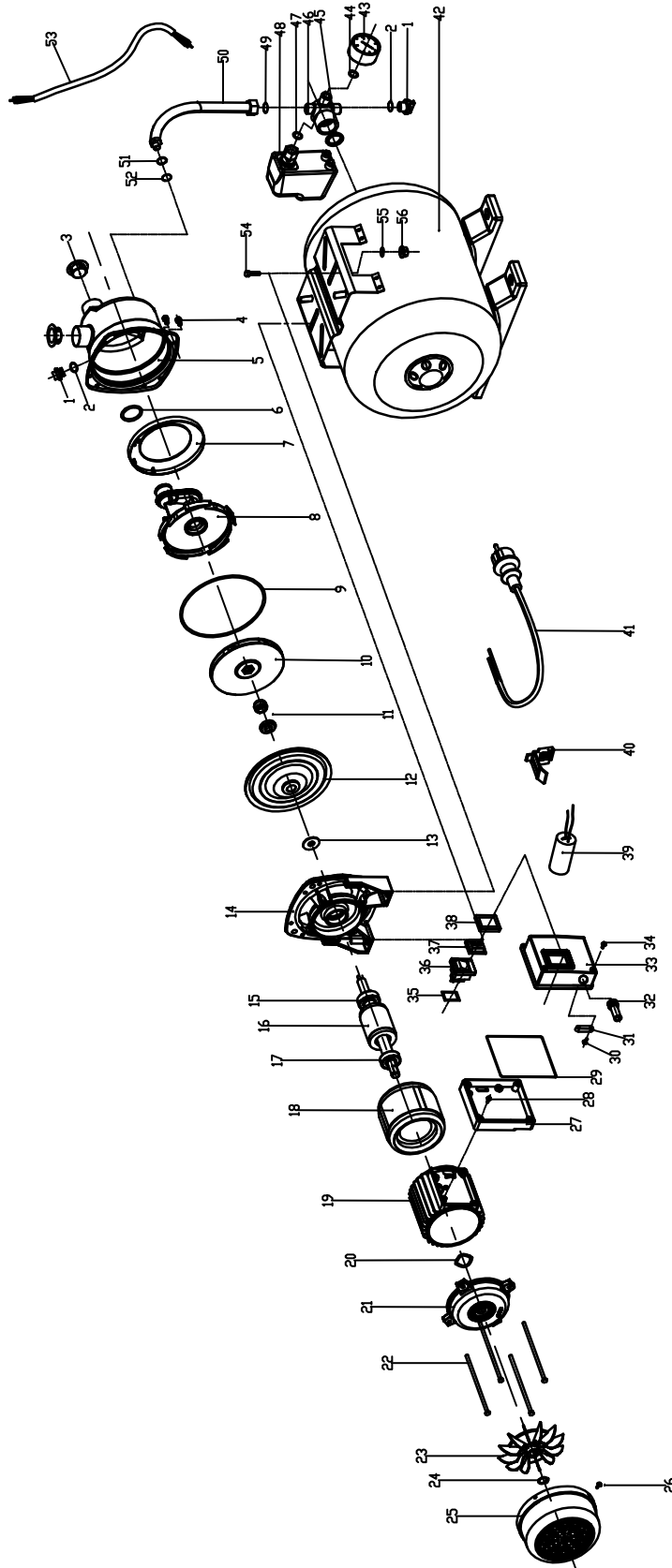


Overview of spare parts and spare parts list – TGP 1025 E



No.	Part Name	Quantity	No.	Part Name	Quantity
1	Bolt of Seal 3/8	1	30	Self-tapping Screw	2
2	O Ring	1	31	Power Cord Clip	1
3	Dustproof Cap	2	32	Power Cable Jacket	1
4	Philips Screw	8	33	Terminal Box Cover	1
5	Pump Housing	1	34	Triangular groove screw	4
6	O Ring	1	35	Square Seal Washer	1
7	Plastic Retaining Ring	1	36	Waterproof Switch	1
8	Diffuser	1	37	Switch Cover	1
9	O Ring	1	38	Outer Frame of Switch	1
10	Impeller	1	39	Capacitor	1
11	Mechanical Seal (MG13)	1	40	Capacitor Holder	1
12	Flange Plate	1	41	Power Cord Clip	1
13	Rubber Ring 12	1	42	Booster Vessel	1
14	Front Cover and holder	1	43	Bolt of Seal 1/4	1
15	Bearing	1	44	O Ring	1
16	Rotor	1	45	Manometer	1
17	Bearing	1	46	O Ring	1
18	Stator	1	47	Seal Washer	1
19	Motor Housing (105)	1	48	Cross Fitting	1
20	Under Washer	1	49	Seal Washer	1
21	Rear Cover	1	50	Mechanical Pressure Switch	1
22	Outer Hex Bolt	4	51	Seal Washer	1
23	Fan Blade	1	52	Hose	1
24	Spring Washer(Ø12)	1	53	O Ring	1
25	Fan Cover	1	54	Power Cord	1
26	Philips Screw	4	55	Hex Socket Screw	2
27	Terminal Box Holder	1	56	Flat Washer 8*16*1.0 S	2
28	Philips Screw	4	57	Locknut	2
29	Square Washer	1			

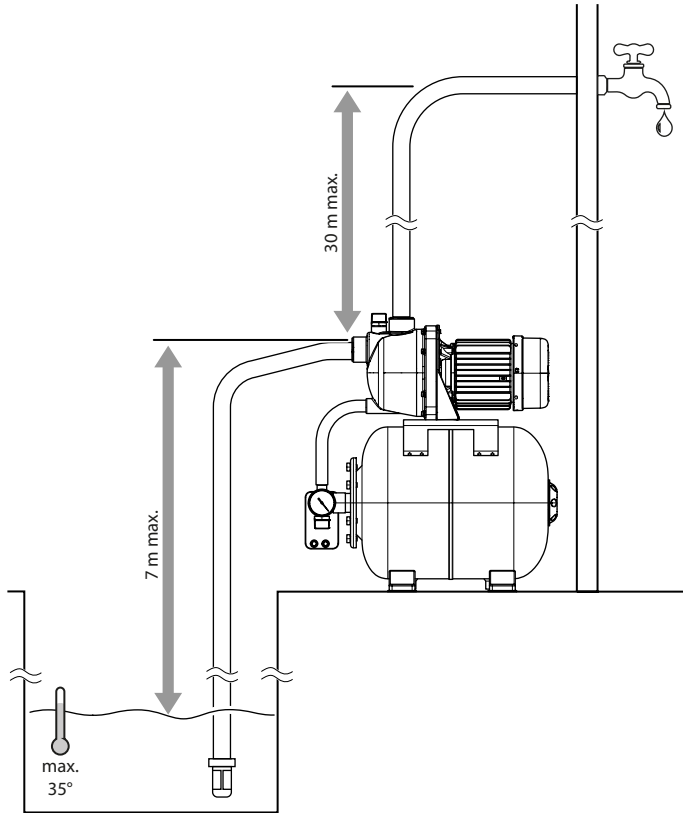
Overview of spare parts and spare parts list TGP 1025 ES / TGP 1025 ES ES



No.	Part Name	Quantity	No.	Part Name	Quantity
1	Bolt of Seal 1/4	2	29	Square Washer	1
2	O Ring	2	30	Self-tapping Screw	2
3	Dustproof Cap	2	31	Power Cord Clip	1
4	Hex Socket Screw S	8	32	Power Cable Jacket	1
5	SS pump housing	1	33	Terminal Box Cover	1
6	O Ring	1	34	Triangular groove screw	4
7	Plastic Retaining Ring	1	35	Square Seal Washer	1
8	Diffuser	1	36	Waterproof Switch	1
9	O Ring	1	37	Switch Cover	1
10	Impeller	1	38	Outer Frame of Switch	1
11	Mechanical Seal	1	39	Capacitor	1
12	Flange Plate	1	40	Capacitor Holder	1
13	Thrower 12	1	41	Power Cable	1
14	Aluminum Holder	1	42	Booster Vessel	1
15	Bearing	1	43	Manometer	1
16	Rotor	1	44	O Ring	1
17	Bearing	1	45	Seal Washer	1
18	Stator	1	46	Cross Fitting	1
19	Motor Housing	1	47	Seal Washer	1
20	Under Washer	1	48	Mechanical Pressure Switch	1
21	Motor Rear Cover	1	49	Seal Washer	1
22	Outer Hex Bolt	4	50	Hose	1
23	Fan Blade	1	51	Retainer ring (3/8)	1
24	Spring Washer(Ø12)	1	52	O Ring	1
25	Fan Cover	1	53	Power Cable	1
26	Philips Screw	4	54	Hex Socket Screw S	2
27	Terminal Box Holder	1	55	Flat Washer 8*16*1.0 S	2
28	Philips Screw	4	56	Locknut S	2

Schematic representation

TGP 1025 E
 TGP 1025 ES
 TGP 1025 ES ES



Disposal

Always dispose of packing materials in an environmentally friendly manner and in accordance with the applicable local disposal regulations.



The icon with the crossed-out wheeled bin indicates that this device and any associated components must not be disposed of with household waste at the end of their life, in accordance with the Waste Electrical and Electronic Equipment Directive (2012/19/EU) and national laws.

You will find collection points for free return of waste electrical and electronic equipment in your vicinity. The addresses can be obtained from your municipality or local administration. You can also find out about other return options that apply for many EU countries on the website <https://hub.trotec.com/?id=45090>. Otherwise, please contact an official recycling centre for electronic and electrical equipment authorised for your country.

The separate collection of waste electrical and electronic equipment aims to enable the re-use, recycling and other forms of recovery of waste equipment as well as to prevent negative effects for the environment and human health caused by the disposal of hazardous substances potentially contained in the equipment.

Only for United Kingdom

According to Waste Electrical and Electronic Equipment Regulations 2013 (SI 2013/3113) (as amended) devices that are no longer usable must be collected separately and disposed of in an environmentally friendly manner.

EU Declaration of Conformity (original)

Declaration of conformity in accordance with the EC Machinery Directive 2006/42/EC, Annex II, Part 1, Section A

We – Trotec GmbH – declare in sole responsibility that the product designated below was developed, constructed and produced in compliance with all relevant provisions of the EC Machinery Directive in the version 2006/42/EC.

Product model / product: TGP 1025 E
TGP 1025 ES
TGP 1025 ES ES

Product type: garden pump

Year of manufacture as of: 2023

The product also complies with all relevant provisions of the following directives/regulations:

- 2011/65/EU
- 2014/30/EU

Relevant EU directives:

- 2012/19/EU
- 2015/863/EU

Applied harmonised standards:

- EN 60335-1:2012/A15:2021

Applied national standards and technical specifications:

- EN IEC 55014-1:2021
- EN IEC 55014-2:2021
- EN IEC 60335-2-41:2021/A11:2021
- EN IEC 61000-3-2:2019/A1:2021
- EN 61000-3-3:2013/A1:2019
- EN 61000-3-3:2013/A2:2021
- EN 62233:2008

Manufacturer and name of the authorised representative of the technical documentation:

Trotec GmbH

Grebener Straße 7, D-52525 Heinsberg

Phone: +49 2452 962-400

E-mail: info@trotec.de

Place and date of issue:

Heinsberg, 30.11.2023



Joachim Ludwig, Managing Director

Trotec GmbH

Grebener Str. 7
D-52525 Heinsberg

📞 +49 2452 962-400

📠 +49 2452 962-200

✉ info@trotec.com

🌐 www.trotec.com