

EN

ORIGINAL INSTRUCTIONS
SUBMERGED CLEAR AND WASTE
WATER PUMP



Table of contents

Information on the use of these instructions 2

Safety 2

Information about the device 5

Transport and storage 7

Assembly and installation 7

Operation 10

Errors and faults 11

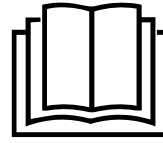
Maintenance 12

Technical annex 13

Disposal 17

Declaration of conformity 17

You can download the current version of these instructions via the following link:



TCW 900



<https://hub.trotec.com/?id=47537>

Information on the use of these instructions

Symbols



Warning of electrical voltage

This symbol indicates dangers to the life and health of persons due to electrical voltage.



Warning

This signal word indicates a hazard with an average risk level which, if not avoided, can result in serious injury or death.



Caution

This signal word indicates a hazard with a low risk level which, if not avoided, can result in minor or moderate injury.

Notice

This signal word indicates important information (e.g. material damage), but does not indicate hazards.



Info

Information marked with this symbol helps you to carry out your tasks quickly and safely.



Follow the manual

Information marked with this symbol indicates that the instructions must be observed.

Safety

Read this manual carefully before starting or using the device. Always store the manual in the immediate vicinity of the device or its site of use.



Warning

Read all safety warnings and all instructions.

Failure to follow the warnings and instructions may result in electric shock, fire and/or serious injury.

Save all warnings and instructions for future reference.

This appliance can be used by children aged from 8 years and above and persons with reduced physical, sensory or mental capabilities or lack of experience and knowledge if they have been given supervision or instruction concerning use of the appliance in a safe way and understand the hazards involved.

Children shall not play with the appliance. Cleaning and user maintenance shall not be made by children without supervision.



General safety

- Do not use the device in potentially explosive rooms or areas and do not install it there.
- Do not use the device in aggressive atmosphere.
- Check accessories and connection parts for possible damage prior to every use of the device. Do not use any defective devices or device parts.
- Before carrying out maintenance, care or repair work on the device, remove the mains plug from the mains socket. Hold onto the mains plug while doing so.
- When positioning the device, observe the minimum distances from walls and other objects as well as the storage and operating conditions specified in the Technical annex.
- Do not remove any safety signs, stickers or labels from the device. Keep all safety signs, stickers and labels in legible condition.



General safety warnings – Electrical safety

- The device is to be supplied with a rated residual current of no more than 30 mA by means of an RCD (Residual Current protective Device).
- Ensure that all electric cables outside of the device are protected from damage (e.g. caused by animals). Never use the device if electric cables or the power connection are damaged!
- The mains connection must correspond to the specifications in the Technical annex.
- Insert the mains plug into a properly fused mains socket.
- Switch the device off and disconnect the power cable from the mains socket when the device is not in use.
- Do not under any circumstances use the device if you detect damages on the mains plug or power cable. If the connection line of this device is damaged, the device must be sent for recycling in accordance with the specifications provided in the Disposal chapter. Defective power cables pose a serious health risk!
- Should there be a risk of flooding, install the plug connections in a flood-proof area. **There is a risk of electric shock!**
- Make sure that the mains voltage corresponds to the specifications on the nameplate.
- Have all electrical installations carried out by an expert according to the national regulations and the device-specific requirements.
- Do not use the power cable to drag the device.
- Hold onto the mains plug while pulling the power cable out of the mains socket.
- Protect the power supply cable against heat, oil and sharp edges. Make sure that the power supply cable is not crushed, kinked or subjected to other mechanical stresses.
- Only use splash-proof extension cables intended for outdoor use whilst observing the device's power input. Before using cable drums, always unroll the cable completely. Check the cable for damage. The use of extension cables which are not approved for outdoor use can result in injuries due to electric shock.
- Before performing any work on the device, in case of leaks in the water system, before taking work breaks or when not in use, remove the mains plug from the mains socket.



General safety warnings – Personal safety

- Never use the device with persons or animals in the water or pumping medium or if they could access it. **There is a risk of electric shock!**
- Never insert any objects or limbs into the device.
- This appliance is not a toy. Keep away from children and animals.



Device-specific safety warnings for submerged pumps

- Do not leave the device running unattended to ensure an early detection of when the device runs dry or switches off automatically. This would damage the device. Regularly check the float for proper functioning.
- Please bear in mind, that the device is not suitable for continuous operation (e.g. for watercourses in garden ponds). Check the device for proper functioning on a regular basis.
- Keep in mind, that lubricants are used within the device. These might potentially cause damages or contaminations if emitted. Do not use the device for drinking water or in garden ponds with either a fish population or valuable plants.
- The device is not to be carried by holding it at the power supply cable or hose. Do not fasten it there either.
- Do not place any objects on the device – not even to weight it down. The device will sink to the ground due to its own weight.
- After the set-up of the device, its mains plug must be readily accessible during operation.
- Wear sturdy shoes to protect yourself against electric shock.
- Provide appropriate frost protection.
- Before taking the device into operation, have the following checked by an expert:
 - earthing, neutral conductor and RCD must be functioning properly and correspond to the national regulations,
 - electrical plug connections must be protected from moisture.

Intended use

The device is only suited for draining, conveying and pumping over the following media:

- clear water and waste water
- non-corrosive suds (e.g. leaking washing machine)
- slightly chlorinated water

The water temperature must not exceed 35 °C.

The device may temporarily be used for e.g.:

- pumping out flooded basements
- emptying tanks and containers
- emptying pools provided that no persons are in the water when it is pumped out
- water withdrawal from wells and shafts

Any use other than the intended use is regarded as misuse.

Reasonably foreseeable misuse

- The device is not suitable for continuous operation (e.g. as recirculation pump for ponds).
- The device is not suitable for use as a filter pump in swimming pools and the like.
- The device is not suitable as permanent, automatic overflow protection of e.g. wells or fountains or for the regulation of the groundwater level. Use a stationary waste water pumping system for building and property drainage for these purposes.
- The device is not suitable for increasing the pressure of existing water supply networks.
- The device is not suitable for pumping potable water.
- The device must not be used for aggressive, abrasive, caustic, corrosive, combustible or explosive pumping media, e.g.:
 - brine
 - sandy water
 - food
 - cleaning agents
 - fuels (e.g. petrol, diesel)
 - oils
 - greases
 - petroleum
 - nitro-cellulose thinner
 - waste water from lavatories and urinal installations
- The device must not be used at freezing temperatures.
- Any unauthorised modifications, alterations or structural changes to the device are forbidden.

Personnel qualification

People who use this device must:

- be aware of the dangers that occur when working with electric devices in damp areas.
- have read and understood the instructions, especially the Safety chapter.

Safety signs and labels on the device

Notice

Do not remove any safety signs, stickers or labels from the device. Keep all safety signs, stickers and labels in legible condition.

The following safety signs and labels are attached to the device:



Warning of electrical voltage

Information marked with this symbol indicates dangers to the life and health of persons due to electrical voltage.



General warning sign

This symbol indicates that you must be aware of the dangers that can occur when working with the device.



Device may start up without warning

This symbol indicates that the device may start up without warning when it is switched on.



Do not use damaged power cables or mains plugs

This symbol indicates that the device must no longer be operated if the power cable is damaged.



Staying in water prohibited

This symbol indicates that the device must not be operated with persons or animals in the water.



Do not use at freezing temperatures

This symbol indicates that the device must be protected from frost.



Keep out of the reach of children – not a toy

This symbol indicates that the device is not a toy and is thus not suitable for children.



Do not pull the mains plug by the power cable

This symbol indicates that you must not pull the mains plug out of the socket by the power cable.



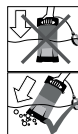
Pull the mains plug

This symbol indicates that the mains plug must be removed from the socket when the device is not in use.



Not suitable for pumping potable water

This symbol indicates that the device is not suitable for pumping potable water.



Submerge pump at a slight angle

This symbol indicates that the pump must be submerged into the water at a slight angle to allow the remaining air to escape.

Residual risks



Warning of electrical voltage

Work on the electrical components must only be carried out by an authorised specialist company!



Warning of electrical voltage

Before any work on the device, remove the mains plug from the mains socket!
Do not touch the mains plug with wet or damp hands.
Hold onto the mains plug while pulling the power cable out of the mains socket.



Warning

Dangers can occur at the device when it is used by untrained people in an unprofessional or improper way!
Observe the personnel qualifications!



Warning

The device is not a toy and does not belong in the hands of children.



Warning

Risk of suffocation!
Do not leave the packaging lying around. Children may use it as a dangerous toy.

Notice

If you store or transport the device improperly, the device may be damaged.
Note the information regarding transport and storage of the device.

Behaviour in the event of an emergency

1. Disconnect the device from the mains: Hold onto the mains plug while pulling the power cable out of the mains socket.
2. Do not reconnect a defective device to the mains.

Overheating protection

The device is provided with a thermal protection circuit which is activated by overheating of the device and then switches the device off.

Switch the device off and let it cool down. Investigate the cause of overheating. Should the problem persist, please contact the customer service.

Information about the device

Device description

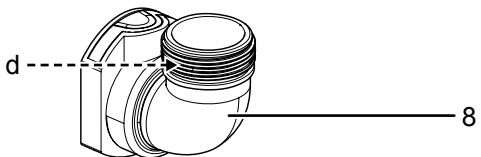
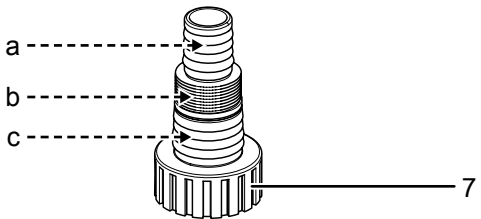
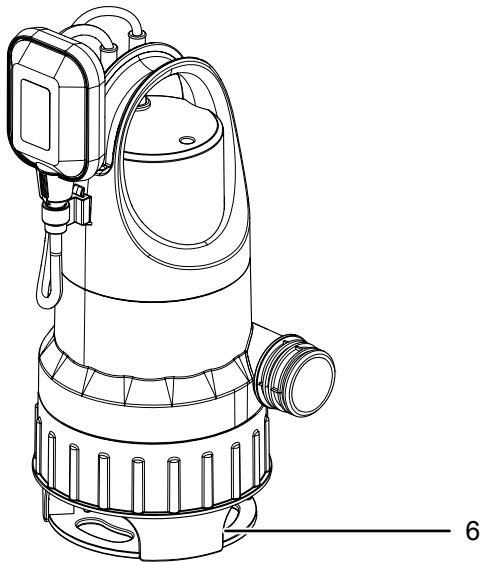
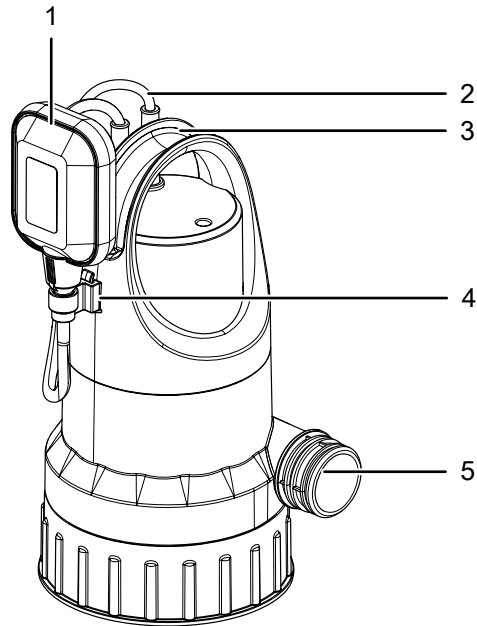
The combined submerged pump for waste water and clear water is suited for draining, conveying and pumping over clear and waste water with the contained suspended matter not exceeding a maximum particle size of 30 mm. The water temperature must not exceed 35 °C. Switching between clear and waste water operation is done by simply turning the suction opening.

A float ensures the automatic switch-on and switch-off at a respectively defined height. Additionally, the switch-on/-off height can be finely adjusted within the specified range by means of a locking device, see technical data.

Hoses with an inner diameter of 25 mm or 38 mm can be connected to the supplied reducer. Pipe or hose connections with a G1" / DN25 internal thread can also be connected to the reducer, and pipe or hose connections with a G1½" / DN40 internal thread can be connected to the elbow which is also supplied.

For quick installation and uninstallation, the device is equipped with a connection for the "Quick Connect" connection system.

Device depiction



No.	Designation
1	Float switch
2	Power cable
3	Transport handle / attachment for nylon cord
4	Float switch locking device
5	Connection for connection system
6	Adjustable suction opening for clear and waste water operation
7	Reducer
8	Elbow

Connection options

No.	Designation
a	Hose connection for an inner diameter of 25 mm (with hose clamp)
b	Hose connection for a G1" / DN25 internal thread
c	Hose connection for an inner diameter of 38 mm (with hose clamp)
d	Hose connection for a G1½" / DN40 internal thread

Transport and storage

Notice

If you store or transport the device improperly, the device may be damaged.

Note the information regarding transport and storage of the device.

Transport

Before transporting the device, observe the following:

- Hold onto the mains plug while pulling the power cable out of the mains socket.
- Do not use the power cable to drag the device.
- Only carry the device by the transport handle.
- Do not carry the device by holding it at the power cable or hose.

Storage

When the device is not being used, observe the following storage conditions:

- Store the device in a dry location and protected from frost and heat.
- Store the device in an upright position where it is protected from dust and direct sunlight.
- If required, use a cover to protect the device from invasive dust.
- Place no further devices or objects on top of the device to prevent it from being damaged.

If you do not use the device for an extended period of time, it must be cleaned thoroughly after its last application and before recommissioning. Deposits and residues could lead to start-up difficulties.

For restart, please proceed according to the Start-up chapter.

Assembly and installation

Scope of delivery

- 1 x Combined submerged pump for clear and waste water
- 1 x Reducer for hoses with inner diameters of 25 mm or 38 mm as well as hose connections with G1" / DN25 internal thread
- 1 x elbow for hose connections with G1½" / DN40 internal thread
- 1 x Nylon cord (10 m)
- 1 x Manual

Unpacking the device

1. Open the cardboard box and take the device out.
2. Completely remove the packaging.
3. Fully unwind the power cable. Make sure that the power cable is not damaged and that you do not damage it during unwinding.

Start-up

Connecting the pipe or hose line

The device may be operated using either a hose line or a pipe. Ex factory, the device is delivered with a connection for the "Quick Connect" connection system.

Please observe the following information regarding water discharge:

- Please note that making use of the reducer (7) might decrease the device performance. The reducer should be shortened to the used diameter so as not to affect the device performance.
- Please note that the device cannot be moved as flexibly when using a solid pipe.
- Note that the maximum particle size is reduced according to the hose diameter.
- Please note that the conveying capacity declines with an increasing length of the water discharge line.



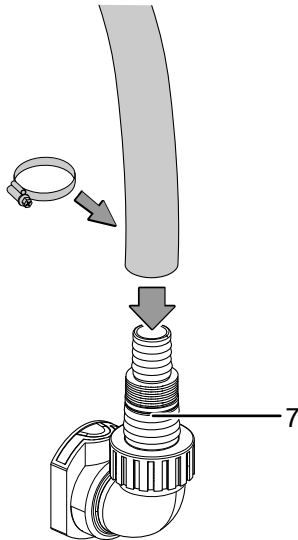
Info

If required, you can cut the reducer (7) off at the desired diameter.

At delivery the reducer (7) is already assembled onto the elbow (8).

Hose line without thread

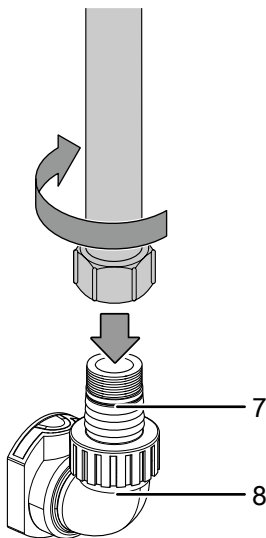
1. Slide an appropriate hose clamp onto the hose.
2. Push the hose (inner diameter 25 mm or 38 mm) onto the reducer (7) all the way to the stop.



3. Affix the hose by means of the hose clamp.

Pipe connection or hose connection with internal thread

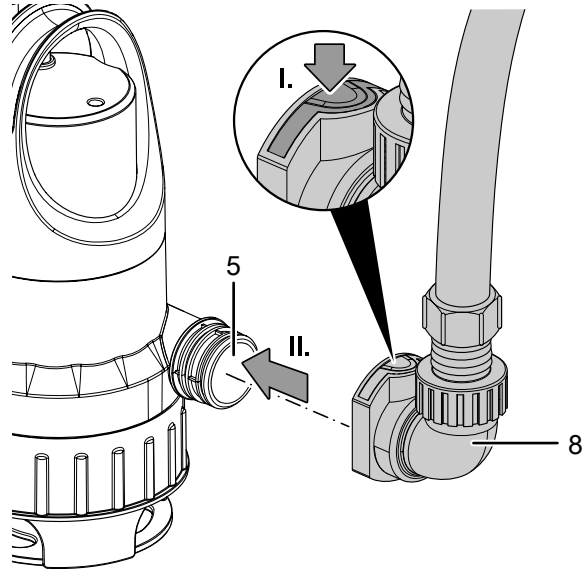
1. Screw the pipe connection or hose connection (internal thread G1" / DN25) onto the reducer (7).



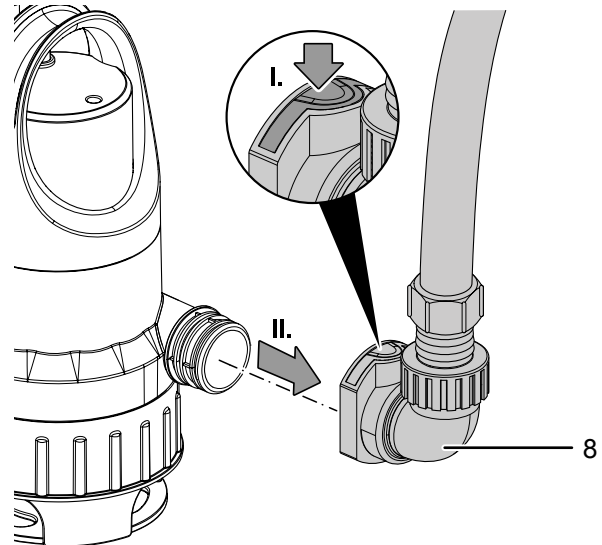
Alternatively, you can also screw the pipe connection or hose connection with the internal thread G1½" / DN40 directly onto the elbow (8).

Installing the connection system

1. Press the red button on the elbow (8).
2. Push the elbow (8) onto the pump connection (5).



In order to remove the connection system, press the red button on the elbow (8) and pull it off.



Adjusting the float switch

The device comes equipped with a float switch (1) which switches the device on or off automatically according to the water level. Check the float switch (1) for proper functioning at regular intervals.

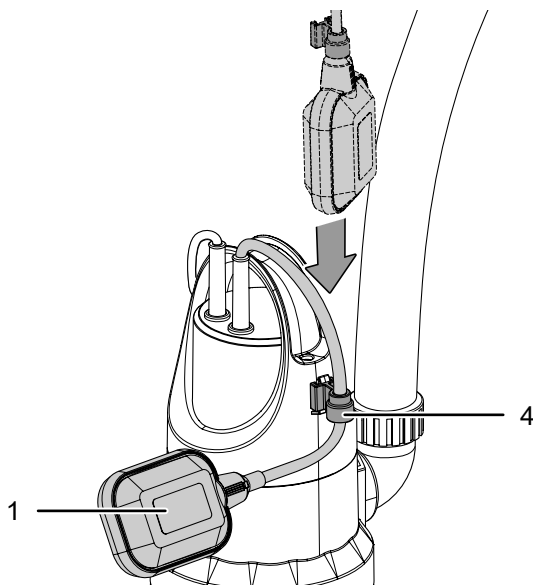
Switching point	Water level
Height for switch-on	approx. 600 mm
Height for switch-off	approx. 180 mm

The pumping height can be regulated by means of the float switch (1) and its position in the float switch locking device (4).

Please observe the following information regarding the float switch (1):

- Make sure that the float switch (1) always has enough clearance and is not permanently activated. This could prevent the automatic switch-off causing the device to run dry. This would damage the pump.
- Make sure that the float switch (1) is able to move freely and does not suffer from a limited mobility caused by obstacles.
- Observe a sufficient distance between float switch (1) and float switch locking device (4), for this could prevent the automatic switch-off causing the device to run dry.
- Make sure that the position of float switch (1) is adjusted in a way, that it does not lie flat on the ground. This could prevent the automatic switch-off causing the device to run dry.

If required, lock the float switch (1) by means of the float switch locking device (4). To do so, push the float switch locking device (4) from above into the respective holder on the housing with the float switch (1) pointing downwards. In order to adjust the desired pumping height, insert the cable of the float switch (1) through the float switch locking device (4).



Installing the device

Please observe the following information regarding the device set-up and before switching the device on:

- The float switch must be able to move freely. The shaft into which the device is lowered must not restrict the mobility of the float switch in any way.
- Do not leave the device running unattended.
- Make sure that the device is firmly placed on the ground or safely suspended.
- When using the device in bodies of water with natural, muddy ground, hook or set the device up at a slightly elevation position, e.g. on bricks.
- Check whether the hose or pipe was attached properly.

- Make sure that the power cable (2) is not under tensile load and has enough clearance.
- Make sure that the mains connection corresponds to the specifications provided in the technical data.
- Check the mains socket for its proper condition. The mains socket's fusing must be sufficient.
- Make it impossible for moisture to reach mains plug or socket. **There is a risk of electric shock!**

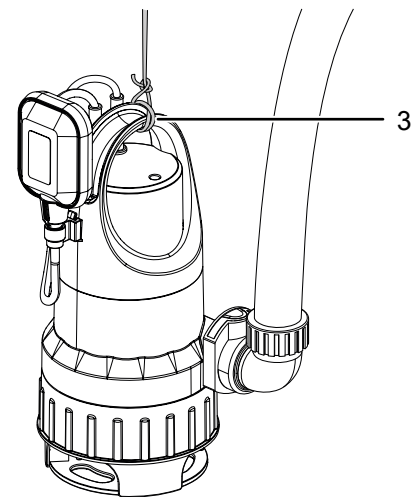


Warning of electrical voltage

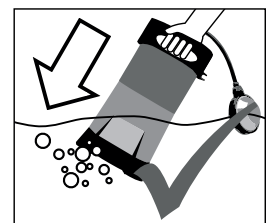
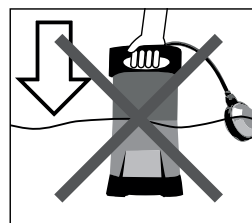
Electric shock from damaged power supply cable. Make sure not to hold or suspend the device by the power supply cable under any circumstances.

1. Fasten the supplied nylon cord to the transport handle (3) at the top of the device.

$\frac{\nabla}{7\text{ m}}$



2. Lower the device into the water at a slight angle to allow any remaining air to escape.




3. If you want the device to be positioned on the ground, ensure that the latter is even.
4. Attach the end of the nylon cord to an easily accessible position, so you can pull the device back out after pumping has been completed.

Operation

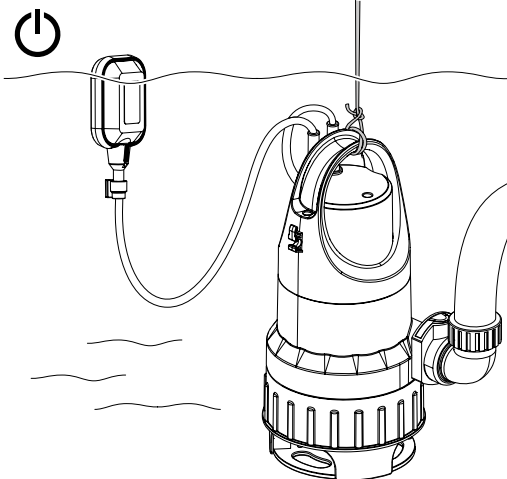
Switching the device on

Once you have completely installed the device as described in the chapter Assembly and start-up, you can switch it on.

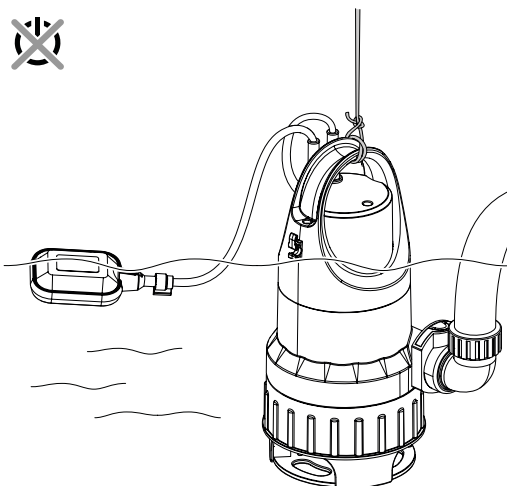
 **Warning of electrical voltage**
Do not touch the mains plug with wet or damp hands.

 **Info**
The device has an automatic ventilation function. If the liquid level is low, any air that is sucked in or that remains in the pump will escape. In addition, liquids may escape at this point.
If the device has trouble with the air intake when the liquid level is low, you can repeatedly unplug and plug in the mains plug to support the air suction process.

1. Plug the mains plug into a sufficiently fused mains socket.
⇒ The device will be switched on when the float switch is situated above the adjusted or the maximum switch-on height.



- ⇒ The device will be switched off as soon as the float switch reaches the set or the minimum switch-off height.



Manual operation

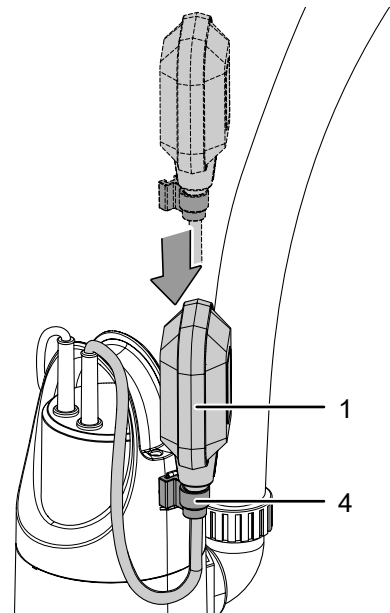
You can also use the device in manual operation.

In manual operation it is possible to siphon off the media to a residual height of 3 mm in clear water mode or 33 mm in waste water mode.


 **Warning of electrical voltage**
Do not touch the mains plug with wet or damp hands.

Notice
Running dry can cause damage to the device.
Switch the device off before it can run dry.

1. Hold onto the mains plug while pulling the power cable out of the mains socket.
2. If necessary, pull the device out by means of the nylon cord.
3. Insert the cable of the float switch (1) all the way through the float switch locking device (4).
4. Put the float switch locking device (4) from above into the respective holder on the housing with the cable of the float switch pointing downwards.



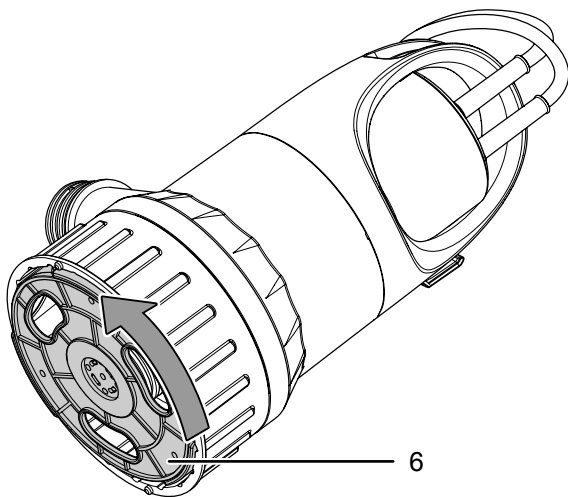
- ⇒ With the float switch affixed in this position, the device is switched on permanently.
5. Lower the device into the water at a slight angle to allow any remaining air to escape. Make sure that the position of the float switch does not change.
 6. Plug the mains plug into a sufficiently fused mains socket.
⇒ The device switches on.
 7. Oversee the pumping process.
 8. When the device starts to suck in air, disconnect the power cable from the mains socket by holding onto the mains plug.

 **Info**
If the device switches off again after only a brief period of operation, the float switch might have come loose. Fix the float switch again as depicted.

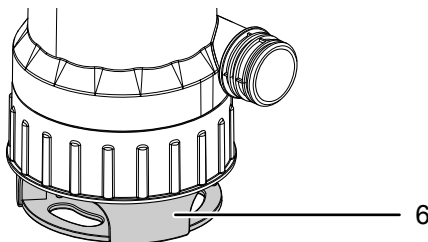
Function change between clear and waste water operation

The device offers the option of switching between clear and waste water operation. To do so, please proceed as follows:

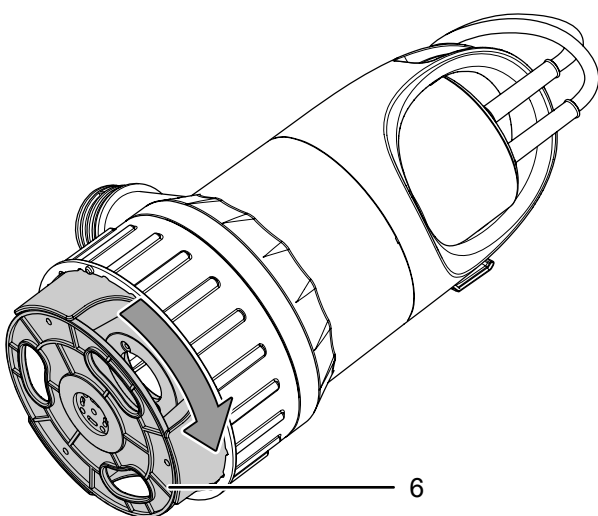
1. Switch from clear water operation to waste water operation by turning the suction opening (6) counter-clockwise.



⇒ The suction opening (6) rotates out of the base and provides a larger passage for coarse dirt particles.



2. Switch from waste water operation back to clear water operation by turning the suction opening (6) clockwise.



⇒ The suction opening (6) rotates into the base so that coarse dirt particles can no longer pass through the suction opening (6) and are filtered out.

Shutdown



Warning of electrical voltage

Do not touch the mains plug with wet or damp hands.

1. Hold onto the mains plug while pulling the power cable out of the mains socket.
2. Pull the device out by means of the nylon cord.
3. Disconnect the connection line.
4. Clean the device according to the Maintenance chapter.
5. Store the device according to the Storage chapter.

Errors and faults



Warning of electrical voltage

Do not touch the mains plug with wet or damp hands.



Warning of electrical voltage

Tasks which require the device to be opened must only be carried out by authorised specialist companies or by the manufacturer.

Notice

Wait for at least 3 minutes after maintenance and repair work. Only then switch the device back on.

- Switch the device off.
- Hold onto the mains plug while pulling the power cable out of the mains socket.

The device has been checked for proper functioning several times during production. If malfunctions occur nonetheless, check the device according to the following list.

The device does not start:

- Check the power connection.
- Check the on-site fusing.
- Check the power cable and mains plug for damages. If you notice damages, do not try to take the device back into operation. To avoid safety hazards, do not perform any repairs. Dispose of the device as described in the Disposal chapter.
- Check whether the float switch is located above the automatic switch-on position.
- The device might have overheated and the thermal protection circuit is activated.
If so, wait for approx. 10 minutes before restarting the device. If the device is not starting, have the electricians checked by a specialist company or by Trotec.
- The water temperature is above 35 °C and the thermal protection circuit is activated.
- Check whether there are any foreign objects in the air intake opening (5), the reducer (7) and / or the hose or pipe.

The device is running, but not pumping any water:

- Check the inside of the device for any remaining air. Lower the device into the water at a slight angle and wait for the air to escape completely.
- Switch the device off and on again several times while it is in the water in order to support automatic ventilation.
- Check whether the minimum water level has been reached, see technical data. In order to start pumping, the device requires a minimum water level.
- Check whether the hoses are blocked and whether the water contains any suspended matter with a particle size of more than 30 mm, which could clog up the device.
- Check whether the used hose diameter is too small.
- Check whether the hose line is kinked or blocked. Remove kinks and / or blockages.
- Check whether the reducer (7) and / or elbow (8) are clogged.

The device is not switching off automatically:

- The float switch is hindered from lowering. Check whether the float switch can move freely. Remove any blockages or ensure sufficient freedom of movement for the float switch.

The device switches off after a brief runtime:

- Check whether the water temperature is too high. The device might have overheated due to a too high water temperature and the thermal protection circuit is activated.
- Check the power connection.
- Check the power cable and mains plug for damage.
- Check the on-site fusing.
- Check whether the hoses are blocked and whether the water contains any suspended matter with a particle size of more than 30 mm, which could clog up the device. The device might have overheated due to the blockage and the thermal protection circuit is activated.

Insufficient or decreasing conveying capacity:

- Check whether the hoses are blocked and whether the water contains any suspended matter with a particle size of more than 30 mm, which could clog up the device.
- Check the hose diameter and the delivery head. An excessive delivery head paired with a small hose diameter can cause a reduction of the conveying capacity.
- Check whether the hose line is kinked or blocked. Remove kinks and / or blockages.

The connection system cannot be opened or closed:

- Check the connection system for dirt and remove any dirt if required, as described in the Cleaning chapter.

The device still does not operate correctly after these checks:

Please contact the customer service. If necessary, bring the device to an authorised specialist electrical company or to the manufacturer for repair.

Maintenance

Activities required before starting maintenance



Warning of electrical voltage

Do not touch the mains plug with wet or damp hands.

- Switch the device off.
- Hold onto the mains plug while pulling the power cable out of the mains socket.

Notes on maintenance

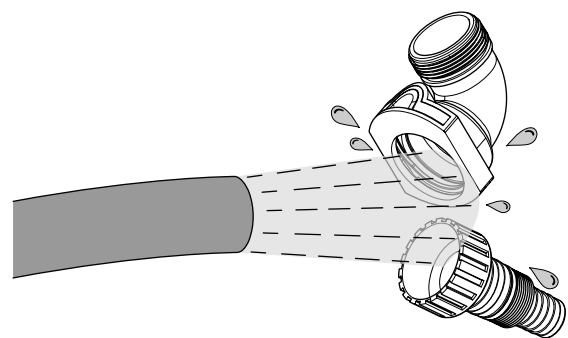
Inside the device, there are no parts that need to be maintained or lubricated by the user.

Safety signs and labels on the device

Check the safety signs and labels attached to the device at regular intervals. Replace illegible safety signs!

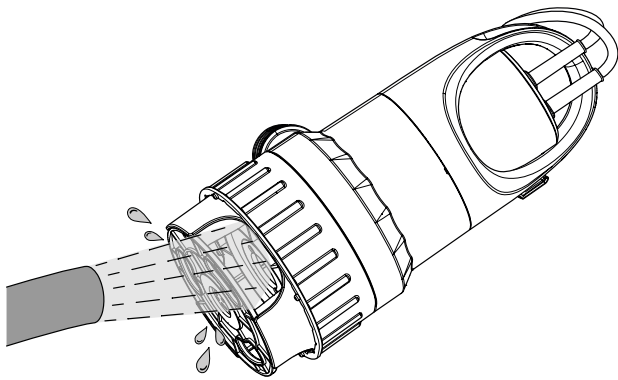
Cleaning

- Clean the device with a soft, damp and lint-free cloth. Protect electrical components from moisture. Do not use any aggressive cleaning agents such as cleaning sprays, solvents, alcohol-based or abrasive cleaners to dampen the cloth.
- Disconnect the connection line.
- Rinse the filter connection adapter with clear water.



- In case of heavy soiling, also remove the cover plate from the pump foot.

- Rinse the intake opening with clear water.



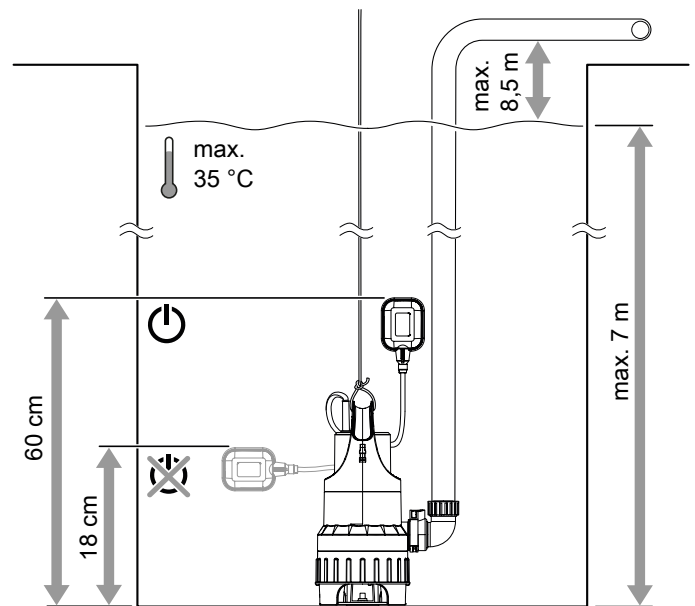
- If necessary, mount the cover panel to the pump foot.

Technical annex

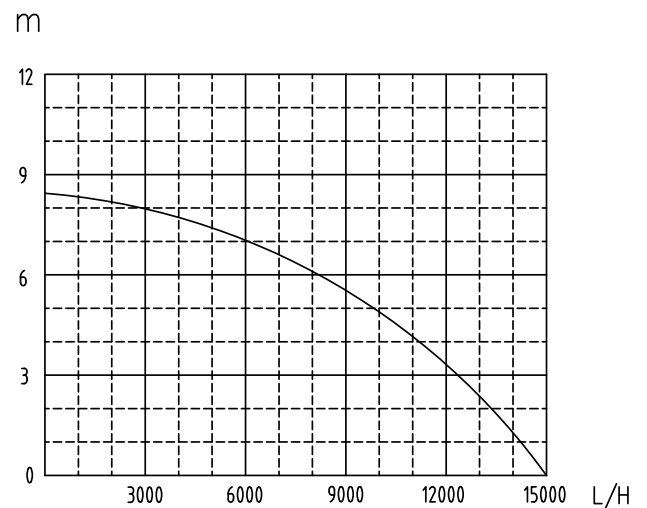
Technical data

Parameter	Value
Model	TCW 900
Article number	4.610.000.080
Max. flow rate	15000 l/h
Max. delivery head	8.5 m
Max. submersion depth	7 m
Max. water temperature	35 °C
Power supply	230 V ~ 50 Hz
Power consumption	900 W
Type of protection	IPX8
Minimum operating depth	80 mm
Max. water level after suction	3 mm
Connection type	CEE 7/4
Cable length	10 m
Protection class	I
Weight	5.5 kg
Dimensions (length x width x height)	193 x 166 x 325 (mm)
Max. particle size	1 mm clear water 30 mm waste water
Height for switch-on	600 mm
Height for switch-off	180 mm
Hose connection, inner diameter	25 mm; 38 mm
Threaded connection	1"; 1 1/2"

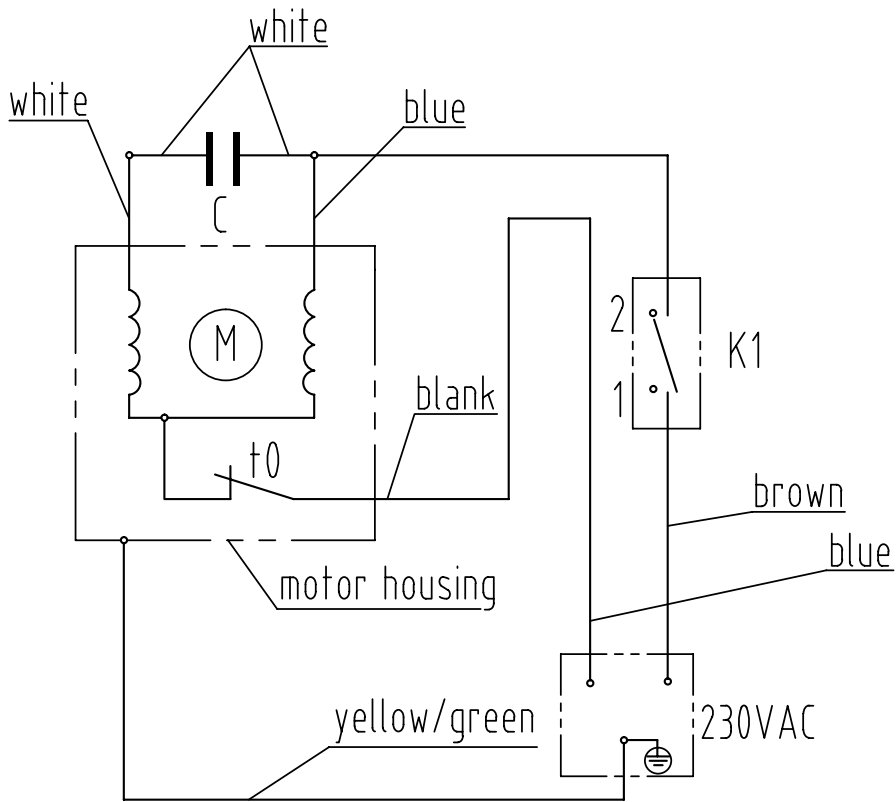
Schematic representation



Performance chart (delivery head / flow rate)

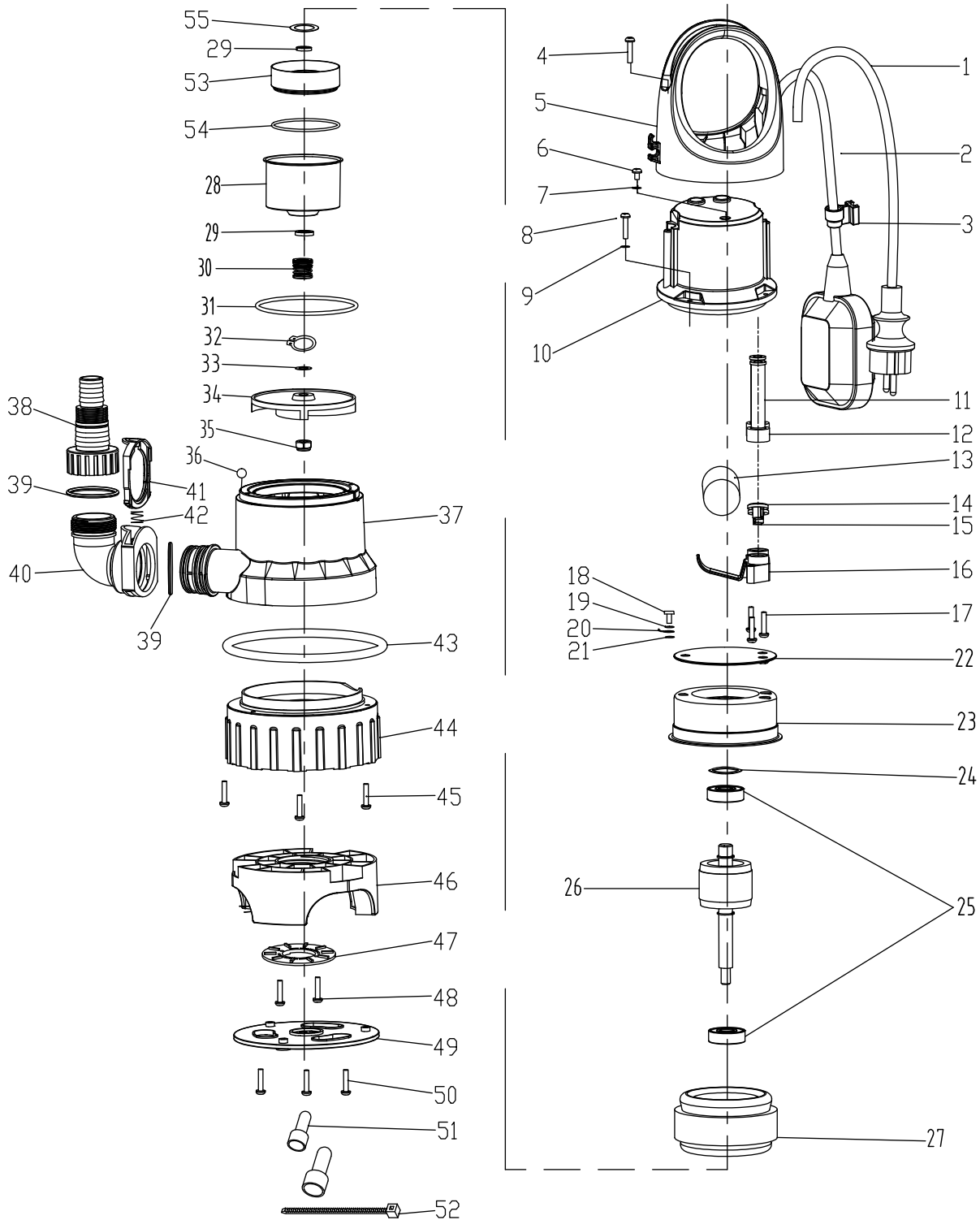


Wiring diagram



Overview and list of spare parts

Note: The position numbers of the spare parts differ from those describing the positions of the components mentioned in these instructions.



No.	Part Name	Quantity	No.	Part Name	Quantity
1	Power cable	1	29	Rubber seal	2
2	Float switch	1	30	Mechanical seal	1
3	Power cable clip	1	31	O ring	1
4	Self tapping screw	2	32	Clamp spring	1
5	Handle cover	1	33	Flat washer	1
6	Triangle pan head self tapping screw	1	34	Impeller	1
7	O ring	1	35	Locknut	1
8	Triangle pan head self tapping screw	4	36	Steel ball	1
9	Flat washer	4	37	Main pump housing	1
10	Rear pump casting	1	38	Outlet adapter	1
11	Cable jacket	1	39	O ring	2
12	Cable jacket	1	40	Elbow adapter	1
13	Capacitor	1	41	Button	1
14	Cable compaction disc	1	42	Spring	1
15	Cable compaction disc	1	43	O ring	1
16	Cable compaction disc	1	44	Clean / Dirty 2 in 1 pump base	1
17	Self tapping screw	3	45	Self tapping screw	3
18	Pan head screw	1	46	Pump base	1
19	Spring washer	1	47	Bottom plastic cover	1
20	Ground lead	1	48	Self Tapping Screw	2
21	Washer	1	49	Base cover	1
22	Insulation board	1	50	Self tapping screw	3
23	Motor rear cover	1	51	Wiring connection cap	5
24	Wave washer	1	52	Ribbon	1
25	Bearing	2	53	Front liner	1
26	Rotor	1	54	O ring	1
27	Stator	1	55	Flat washer	1
28	Motor front cover	1			

Disposal

Always dispose of packing materials in an environmentally friendly manner and in accordance with the applicable local disposal regulations.



The icon with the crossed-out waste bin on waste electrical or electronic equipment is taken from Directive 2012/19/EU. It states that this device must not be disposed of with the household waste at the end of its life. You will find collection points for free return of waste electrical and electronic equipment in your vicinity. The addresses can be obtained from your municipality or local administration. You can also find out about other return options that apply for many EU countries on the website <https://hub.trotec.com/?id=45090>. Otherwise, please contact an official recycling centre for electronic and electrical equipment authorised for your country.

The separate collection of waste electrical and electronic equipment aims to enable the re-use, recycling and other forms of recovery of waste equipment as well as to prevent negative effects for the environment and human health caused by the disposal of hazardous substances potentially contained in the equipment.

Only for United Kingdom

According to Waste Electrical and Electronic Equipment Regulations 2013 (SI 2013/3113) (as amended) devices that are no longer usable must be collected separately and disposed of in an environmentally friendly manner.

Declaration of conformity

Declaration of conformity in accordance with the EC Machinery Directive 2006/42/EC, Annex II, Part 1, Section A

We – Trotec GmbH – declare in sole responsibility that the product designated below was developed, constructed and produced in compliance with the requirements of the EC Machinery Directive in the version 2006/42/EC.

Product model / Product: TCW 900
Product type: submerged clear and waste water pump

Year of manufacture as of: 2024

Relevant EU directives:

- 2011/65/EU
- 2012/19/EU
- 2014/30/EU

Applied harmonised standards:

- EN 60335-1:2012
EN 60335-1:2012/AC:2014
EN 60335-1:2012/A11:2014
EN 60335-1:2012/A13:2017
EN 60335-1:2012/A15:2021
- EN IEC 60335-2-41:2021
EN IEC 60335-2-41:2021/A11:2021

Applied national standards and technical specifications:

- EN IEC 55014-1:2021
- EN IEC 55014-2:2021
- EN IEC 61000-3-2:2019/A1:2021
- EN 61000-3-3:2013/A1:2019

Manufacturer and name of the authorised representative of the technical documentation:

Trotec GmbH
Grebbeener Straße 7, D-52525 Heinsberg
Phone: +49 2452 962-400
E-mail: info@trotec.de

Place and date of issue:

Heinsberg, 15.05.2024



Joachim Ludwig, Managing Director

Trotec GmbH

Grebener Str. 7
D-52525 Heinsberg

☎ +49 2452 962-400

☎ +49 2452 962-200

✉ info@trotec.com

www.trotec.com