

EN

ORIGINAL INSTRUCTIONS
CORDLESS PRUNING SAW



Table of contents

Notes regarding the instructions 2

Safety 2

Information about the device 7

Transport and storage 9

Start-up 10

Operation 13

Available accessories 15

Errors and faults 15

Maintenance 16


Disposal 17


Declaration of conformity 17


Notes regarding the instructions


Symbols

 **Warning of electrical voltage**
This symbol indicates dangers to the life and health of persons due to electrical voltage.


 **Warning of explosive substances**
This symbol indicates dangers to the life and health of persons due to potentially explosive substances.


 **Warning of hot surface**
This symbol indicates dangers to the life and health of persons due to hot surface.

 **Warning**
This signal word indicates a hazard with an average risk level which, if not avoided, can result in serious injury or death.

 **Caution**
This signal word indicates a hazard with a low risk level which, if not avoided, can result in minor or moderate injury.

Note
This signal word indicates important information (e.g. material damage), but does not indicate hazards.

 **Info**
Information marked with this symbol helps you to carry out your tasks quickly and safely.

 **Follow the manual**
Information marked with this symbol indicates that the instructions must be observed.

You can download the current version of the instructions via the following link:




PCHS 10-20V



<https://hub.trotec.com/?id=46604>

Safety

General Power Tool Safety Warnings

 **Warning**
Read all safety warnings, instructions, illustrations and specifications provided with this power tool.
Failure to follow all instructions listed below may result in electric shock, fire and/or serious injury.
Save all warnings and instructions for future reference.

The term *power tool* in the warnings refers to your mains-operated (corded) power tool or battery-operated (cordless) power tool.

 **General Power Tool Safety Warnings – Work area safety**

- **Keep work area clean and well lit.** Clutter or dark areas invite accidents.
- **Do not operate power tools in explosive atmosphere, such as in the presence of flammable liquids, gases or dust.** Power tools create sparks which may ignite the dust or fumes.
- **Keep children and bystanders away while operating a power tool.** Distractions can cause you to lose control.

 **General Power Tool Safety Warnings – Electrical safety**

- **Power tool plugs must match the outlet. Never modify the plug in any way. Do not use any adapter plugs with earthed (grounded) power tools.** Unmodified plugs and matching outlets will reduce risk of electric shock.
- **Avoid body contact with earthed or grounded surfaces, such as pipes, radiators, ranges and refrigerators.** There is an increased risk of electric shock if your body is earthed or grounded.

- **Do not expose power tools to rain or wet conditions.** Water entering a power tool will increase the risk of electric shock.
- **Do not abuse the cord. Never use the cord for carrying, pulling or unplugging the power tool. Keep cord away from heat, oil, sharp edges or moving parts.** Damaged or entangled cords increase the risk of electric shock.
- **When operating a power tool outdoors, use an extension cord suitable for outdoor use.** Use of a cord suitable for outdoor use reduces the risk of electric shock.
- **If operating a power tool in a damp location is unavoidable, use a residual current device (RCD) protected supply.** Use of an RCD reduces the risk of electric shock.



General Power Tool Safety Warnings – Personal safety

- **Stay alert, watch what you are doing and use common sense when operating a power tool. Do not use a power tool while you are tired or under the influence of drugs, alcohol or medication.** A moment of inattention while operating power tools may result in serious personal injury.
- **Use personal protective equipment. Always wear eye protection.** Protective equipment such as a dust mask, non-skid safety shoes, hard hat or hearing protection used for appropriate conditions will reduce personal injuries.
- **Prevent unintentional starting. Ensure the switch is in the off-position before connecting to power source and/or battery pack, picking up or carrying the tool.** Carrying power tools with your finger on the switch or energising power tools that have the switch on invites accidents.
- **Remove any adjusting key or wrench before turning the power tool on.** A wrench or a key left attached to a rotating part of the power tool may result in personal injury.
- **Do not overreach. Keep proper footing and balance at all times.** This enables better control of the power tool in unexpected situations.
- **Dress properly. Do not wear loose clothing or jewellery. Keep your hair and clothing away from moving parts.** Loose clothes, jewellery or long hair can be caught in moving parts.
- **If devices are provided for the connection of dust extraction and collection facilities, ensure these are connected and properly used.** Use of dust collection can reduce dust-related hazards.

- **Do not let familiarity gained from frequent use of tools allow you to become complacent and ignore tool safety principles.** A careless action can cause severe injury within a fraction of a second.



General Power Tool Safety Warnings – Power tool use and care

- **Do not force the power tool. Use the correct power tool for your application.** The correct power tool will do the job better and safer at the rate for which it was designed.
- **Do not use the power tool if the switch does not turn it on and off.** Any power tool that cannot be controlled with the switch is dangerous and must be repaired.
- **Disconnect the plug from the power source and/or remove the battery pack, if detachable, from the power tool before making any adjustments, changing accessories, or storing power tools.** Such preventive safety measures reduce the risk of starting the power tool accidentally.
- **Store idle power tools out of the reach of children and do not allow persons unfamiliar with the power tool or these instructions to operate the power tool.** Power tools are dangerous in the hands of untrained users.
- **Maintain power tools and accessories. Check for misalignment or binding of moving parts, breakage of parts and any other condition that may affect the power tool's operation. If damaged, have the power tool repaired before use.** Many accidents are caused by poorly maintained power tools.
- **Keep cutting tools sharp and clean.** Properly maintained cutting tools with sharp cutting edges are less likely to bind and are easier to control.
- **Use the power tool, accessories and tool bits etc. in accordance with these instructions, taking into account the working conditions and the work to be performed.** Use of the power tool for operations different from those intended could result in a hazardous situation.
- **Keep handles and grasping surfaces dry, clean and free from oil and grease.** Slippery handles and grasping surfaces do not allow for safe handling and control of the tool in unexpected situations.



General Power Tool Safety Warnings – Battery tool use and care

- **Recharge only with charger specified by the manufacturer.** A charger that is suitable for one type of battery pack may create a risk of fire when used with another battery pack.

- **Use power tools only with specifically designed battery packs.** Use of any other battery packs may create a risk of injury and fire.
- **When battery pack is not in use, keep it away from other metal objects, like paper clips, coins, keys, nails, screws or other small metal objects, that can make a connection from one terminal to another.** Shorting the battery terminals together may cause burns or a fire.
- **Under abusive conditions, liquid may be ejected from the battery; avoid contact. If contact accidentally occurs, flush with water. If liquid contacts eyes, additionally seek medical help.** Liquid ejected from the battery may cause irritation or burns.
- **Do not use a battery pack or tool that is damaged or modified.** Damaged or modified batteries may exhibit unpredictable behaviour resulting in fire, explosion or risk of injury.
- **Do not expose a battery pack or tool to fire or excessive temperature.** Exposure to fire or temperature above 130 °C may cause explosion.
- **Follow all charging instructions and do not charge the battery pack or tool outside the temperature range specified in the instructions.** Charging improperly or at temperatures outside the specified range may damage the battery and increase the risk of fire.



General Power Tool Safety Warnings – Service

- **Have your power tool serviced by a qualified repair person using only identical replacement parts.** This will ensure that the safety of the power tool is maintained.
- **Never service damaged battery pack.** Service of battery packs should only be performed by the manufacturer or authorized service providers.



General Power Tool Safety Warnings – Charger use and care

- **This charger can be used by children aged from 8 years and above and persons with reduced physical, sensory or mental capabilities or lack of experience and knowledge if they have been given supervision or instruction concerning use of the appliance in a safe way and understand the hazards involved. Children shall not play with the appliance.** Cleaning and user maintenance shall not be made by children without supervision.
- **Never insert non-rechargeable batteries into the charger.** A charger that is suitable for one type of battery pack may create a risk of fire and explosion, when used with another battery pack or non-rechargeable batteries.

- Only charge the Li-Ion battery "Multiflex 20 – 2.0 DC" (capacity of 2.0 Ah = 5 battery cells) with the charger "Multiflex 20 – 2.0 AC". The battery voltage must match the battery charging voltage of the charger.
- Only charge the Li-Ion battery "Multiflex 20 – 4.0 DC" (capacity of 4.0 Ah = 10 battery cells) with the charger "Multiflex 20 – 4.0 AC". The battery voltage must match the battery charging voltage of the charger.



General safety instructions for the cordless pruning saw

- **Keep all parts of the body away from the saw chain when the saw is running. Before starting up the saw, make sure that the saw chain is not touching anything.** When working with a pruning saw, just one single moment of inattention can cause clothing or parts of the body to be caught by the saw chain.
- **Hold the pruning saw by the insulated gripping surfaces only, as the saw chain may contact hidden wiring.** The saw chain contacting a live wire may also make metal parts of the power tool live, thereby presenting the risk of an electric shock.
- **Wear eye protection. Further protective equipment for your hearing, head, hands, legs and feet is recommended.** Suitable protective clothing reduces the risk of injury caused by flying wood shavings and accidental contact with the saw chain.
- **Do not use a chainsaw in a tree.** Using a chainsaw in a tree can cause injuries.
- **Always make sure that you are standing firmly on the ground and only use the pruning saw when you are standing on a firm, safe and level surface.** Standing on a slippery or unsteady surface may cause you to lose your balance or your control of the pruning saw.
- **When cutting a branch that is under tension, take into consideration that it may spring back.** When the tension in the wood fibres is released, the branch under tension may hit the operator and/or cause the pruning saw to move uncontrollably.
- **Exercise particular caution when cutting brushwood and young trees.** The thinner material can get caught in the saw chain and hit you or make you lose your balance.
- **Observe instructions regarding the lubrication, chain tension and the replacement of the guide rail and chain.** An improperly tensioned or lubricated chain can either tear or increase the risk of a kickback.

- **Only use the saw for sawing wood. Do not use the pruning saw to carry out work for which it is not intended. Example: Do not use the pruning saw for sawing metal, plastics, masonry or construction materials that are not made of wood.** Using the pruning saw for work other than its intended use may cause hazardous situations.
- **This pruning saw is not suitable for felling trees.** Using the pruning saw for work other than its intended use can cause serious injuries of the operator or other persons.
- **Avoid an abnormal body posture and do not saw above shoulder height.** Unintentional contact with the rail tip is thereby prevented and better control of the pruning saw in unexpected situations is ensured.
- **Always use replacement guides and saw chains specified by the manufacturer.** Incorrect replacement guides and saw chains can cause rupture of the chain and/or kickbacks.
- **Follow the manufacturer's instructions with regard to the sharpening and maintenance of the saw chain.** Too low depth limiters increase the inclination to kickbacks.
- **Always hold the device with both hands by the device's handle and make sure you have a secure grip.** Losing control of the device may result in personal injury.
- **Always carry the pruning saw by the handle and when the saw chain is at a standstill. Always put on the protective cover after completion of the work.**
- **Before transporting or storing the saw, put the protective cover over the saw chain.**
- **Please make sure all switches are turned off and the battery has been removed or switched off before removing jammed cut material or before performing maintenance works on the machine.** Unexpected operation of the pruning saw when removing jammed material can cause severe injuries.
- **Keep any power cables away from the cutting area.** Cables can be hidden in hedges and bushes where they may be accidentally cut by the saw chain.
- **Do not use the pruning saw in bad weather, especially if there is a risk of thunderstorms.** This reduces the risk of being struck by lightning.
- **Keep the handles dry, clean and free from oil and grease.** Greasy, oily handles are slippery and present a risk of losing control.
- **Do not use the device with a damaged protective cover.** A damaged protective cover can cause injuries.
- **Vibrations can be harmful to the human hand-arm system.** Keep the vibration exposure time to a minimum.

- **Only use the device in sufficient daylight or with good artificial lighting.** Lack of light or poor illumination of the working area can lead to accidents.
- **Regularly check the saw chain for wear or damage.**

Intended use

Exclusively use the pruning saw for cutting wood and branches up to a diameter that maximally corresponds to the cutting length of the pruning saw, and observe the technical data.

Make sure to hold the device with both hands, holding it on the activation handle with your right hand and on the upper side with your left hand.

This device is intended for outdoor use only.

We recommend using the power tool with original Trotec accessories.

Foreseeable misuse

Do not use the device for felling trees.

This device is only suitable for sawing wood. The use of other materials is not permissible.

Any other use than the one described in the chapter "Intended use" is regarded as reasonably foreseeable misuse.

Personnel qualifications

People who use this device must:

- have read and understood the instructions, especially the Safety chapter.

The following persons must not use the device:

- Children.
- Persons with reduced physical, sensory or mental capabilities.
- Persons with lack of experience and knowledge.
- Persons unfamiliar with the instructions.

Safety signs and labels on the device

Note

Do not remove any safety signs, stickers or labels from the device. Keep all safety signs, stickers and labels in legible condition.

The following safety signs and labels are attached to the device:



Indication of the sound power level L_{WA} in dB

Information marked with this symbol indicates the sound power level L_{WA} in dB.



Pay attention to the kickback of the pruning saw and avoid touching the tip of the bar.



Wear head protection

Information marked with this symbol indicates that you should wear protective headgear.



Wear hearing protection

Information marked with this symbol indicates that you should wear hearing protection.



Wear safety glasses

Information marked with this symbol indicates that you should wear eye protection.



Wear protective gloves

Information marked with this symbol indicates that you should wear safety boots.



Wear foot protection

Information marked with this symbol indicates that you should wear safety boots.



Warning

This symbol indicates that there is a danger to life and health due to insufficient distance to other persons, children or pets.



Warning

This symbol indicates that there is a danger to the life and health of persons when using the tool in the rain or during a thunderstorm.

Safety signs and labels on the battery and the charger

Note

Do not remove any safety signs, stickers or labels from the device. Keep all safety signs, stickers and labels in legible condition.

The following safety signs and labels are attached to the battery:



Warning of explosion risk!

These symbols indicate the following:



Do not expose the battery pack or tool to fire or excessive temperature! Do not let the battery come into contact with water or fire! Avoid direct sunlight and moisture. There is a risk of explosion!

Never charge the battery at ambient temperatures below 10 °C or above 40 °C. Charging improperly or at temperatures outside the specified range may damage the battery and increase the risk of fire.



Observe the correct disposal of the battery!

This symbol indicates the following:

Ensure that the battery is disposed of correctly and never dispose of it in waste water or public waters. The battery contains irritating, caustic and toxic substances that pose significant risks to people and the environment.

The following safety signs and labels are attached to the charger:



This symbol indicates the following:














Read the instructions or operating manual before charging the battery.



This symbol indicates the following:

Only use the charger for charging the battery in dry interior spaces. Do not charge the device outdoors.

Residual risks

-  **Warning of electrical voltage**
Electric shock from insufficient insulation.
Check the device for damages and proper functioning before each use.
If you notice damages, no longer use the device.
Do not use the device when the device or your hands are damp or wet!
-  **Warning of electrical voltage**
Work on the electrical components must only be carried out by an authorised specialist company!
-  **Warning of electrical voltage**
There is a risk of a short-circuit due to liquids penetrating the housing!
Do not immerse the device and the accessories in water. Make sure that no water or other liquids can enter the housing.
-  **Warning of explosive substances**
Do not expose the battery to temperatures above 45 °C! Do not let the battery come into contact with water or fire! Avoid direct sunlight and moisture. There is a risk of explosion!
-  **Warning of hand injuries**
After switching off the device, there is a risk of injuries from cuts due to the saw chain's stopping time. Always wait until the saw chain comes to a standstill.
-  **Warning of hand injuries**
There is a risk of injury from cuts in the area of the saw chain if the device is handled without due care. Never reach into the saw chain. Wear protective gloves!
-  **Warning**
Do not work outdoors with the device in case of approaching rain or thunderstorms. The device may attract a lightning strike. Water ingress into the housing can cause an electric shock.
-  **Warning**
Do not process materials containing asbestos. Asbestos is considered carcinogenic.
-  **Warning**
Dangers can occur at the device when it is used by untrained people in an unprofessional or improper way! Observe the personnel qualifications!
-  **Warning**
The device is not a toy and does not belong in the hands of children.
-  **Warning**
Risk of suffocation!
Do not leave the packaging lying around. Children may use it as a dangerous toy.
-  **Caution**
Vibration emissions can cause a health hazard if the device is used for an extended period of time or if it is not properly handled and maintained.
-  **Caution**
Keep a sufficient distance from heat sources.
- Note**
If you store or transport the device improperly, the device may be damaged.
Note the information regarding transport and storage of the device.

Behaviour in the event of an emergency / emergency stop function

Emergency stop:

Removing the battery results in the function of the device stopping immediately. Leave the battery out in order to secure the device against accidental switch-on.

Behaviour in the event of an emergency:

1. Switch the device off.
2. In the event of an emergency, remove the battery from the device: Hold the release button of the battery and pull the battery off the device as described in chapter "Removing the battery".
3. Do not insert the battery if the device is defective.

Information about the device

Device description

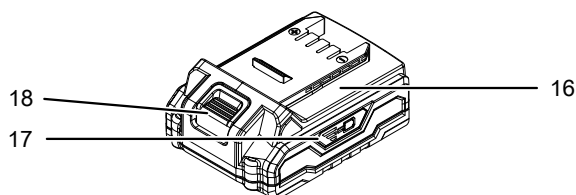
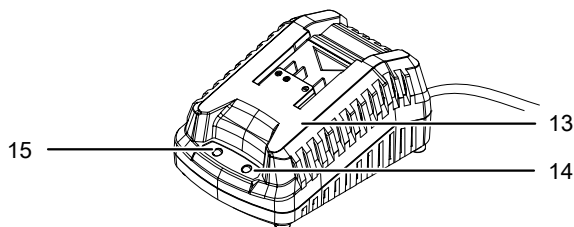
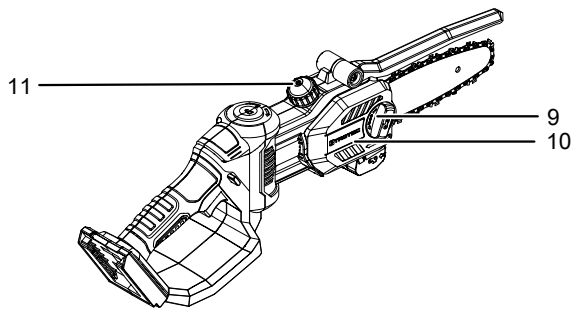
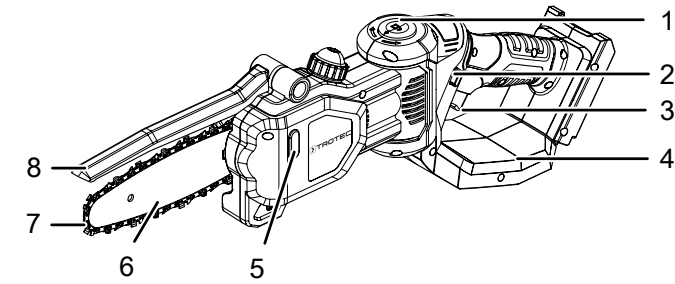
The device PCHS 10-20V can be used for sawing planks, square timbers and round timbers, or for handicraft work.

It is excellently suited for pruning trees and shrubs and for shredding green waste

The device comes with a handle that can be swivelled by $\pm 45^\circ$ to adjust the angle that is suited best for your task.

Furthermore, the device has a start lock to prevent it from being switched on unintentionally.

Device depiction

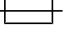



No.	Designation
1	Angle adjustment button
2	Start lock
3	On/off switch
4	Rear hand protection
5	Oil level indicator
6	Guide bar
7	Saw chain
8	Front hand protection
9	Securing nut
10	Chain sprocket cover
11	Oil reservoir cap
12	Protective cover
13	Quick charger
14	Red battery LED (battery charging)
15	Green battery LED (quick charger ready for operation)
16	Battery
17	Battery level indication
18	Release button

Scope of delivery

- 1 x cordless pruning saw PCHS 10-20V
- 1 x protective cover
- 1 x rechargeable battery
- 1 x quick charger
- 1 x manual

Technical data

Parameter	Value
Model	PCHS 10-20V
Nominal voltage	20 V $\overline{=}$
Idle speed	3,800 rpm
Guide rail groove width	48 mm
Chain speed	4.8 m/s
Usable cutting length	150 mm
Guide bar length	195 mm
Chain type	6"
Weight	1.7 kg
Battery	Multiflex 20 – 2.0 DC
Type	Li-ion
Nominal voltage	20 V $\overline{=}$
Nominal capacity	2.0 Ah
Rechargeable cells	5 cells
Capacity	40 Wh
Quick charger	Multiflex 20 – 2.0 AC
Input	
Nominal voltage	230 – 240 V / 50 Hz
Power input	65 W
Output	
Nominal voltage	21.5 V $\overline{=}$
Charging current	2.4 A
Fusing 	3.15 A (slow-blowing)
Charging time	1 h
Cable length	1.5 m
Protection class	II (double insulation) / 
Vibration information according to EN 62841	
Total vibration emission value a_h	4.3 m/s ²
Uncertainty K	1.5 m/s ²
Sound values according to EN 62841	
Sound pressure level L_{pA}	84.1 dB(A)
Sound power L_{WA}	98 dB(A)
Uncertainty K	3 dB

Information on noise and vibration:

- The specified total vibration **and noise emission values** were measured by means of a test procedure standardized in EN 62841 and can be consulted for the comparison of one power tool with another.
- The specified total vibration **and noise emission values** can also be used for preliminary load assessment.



Caution

Vibration emissions can cause a health hazard if the device is used for an extended period of time or if it is not properly handled and maintained.

- The actual vibration **and noise emission** may differ from the stated values during operation of the power tool. This depends on how the power tool is used and especially on the type of workpiece being processed. Try to keep the vibration load to a minimum. Exemplary measures for reducing the vibration load include wearing gloves during operation of the tool and the limitation of working hours. All parts of an operating cycle must be considered for this (e.g. times at which the power tool is switched off and times when it is switched on but runs without load).

Transport and storage

Note

If you store or transport the device improperly, the device may be damaged.

Note the information regarding transport and storage of the device.

Transport

Before transporting the device, observe the following:

- Hold onto the mains plug while pulling the power cable of the charger out of the mains socket.
- Allow the device to cool down.
- Remove the battery from the device.
- Put on the protective cover.

The supplied Li-ion batteries are subjects to the requirements of dangerous goods legislation.

Observe the following when transporting or shipping Li-ion batteries:

- The user may transport the batteries by road without any additional requirements.
- If transport is carried out by third parties (e.g. air transport or forwarding company), special requirements as to packaging and labelling must be observed. This includes consulting a dangerous goods specialist when preparing the package.
 - Only ship batteries if their housing is undamaged.
 - Mask open terminals with tape and pack the battery in a way that it cannot move inside the packaging.
 - Please also observe any other national regulations.

Storage

Before storing the device, observe the following:

- Hold onto the mains plug while pulling the power cable of the charger out of the mains socket.
- Allow the device to cool down.
- Remove the battery from the device.
- Drain the oil completely from the device.
- Put on the protective cover.
- Store the device out of reach of children.
- Clean the device as described in the Maintenance chapter.
- Do not store Li-ion batteries which are completely discharged. Storing discharged batteries can lead to a deep discharge and thus damage the battery.

When the device is not being used, observe the following storage conditions:

- dry and protected from frost and heat
- Ambient temperature below 45 °C
- Protected from dust and direct sunlight

Start-up

Unpacking the device

- Take the device and the accessories out of the packaging.



Warning of electrical voltage

Electric shock from insufficient insulation. Check the device for damages and proper functioning before each use.

If you notice damages, no longer use the device. Do not use the device when the device or your hands are damp or wet!

- Check the contents for completeness and look for damages.



Warning

Risk of suffocation!

Do not leave the packaging lying around. Children may use it as a dangerous toy.

- Dispose of the packaging material according to the national regulations.

Charging the battery

Note

The battery can be damaged in case of improper charging.

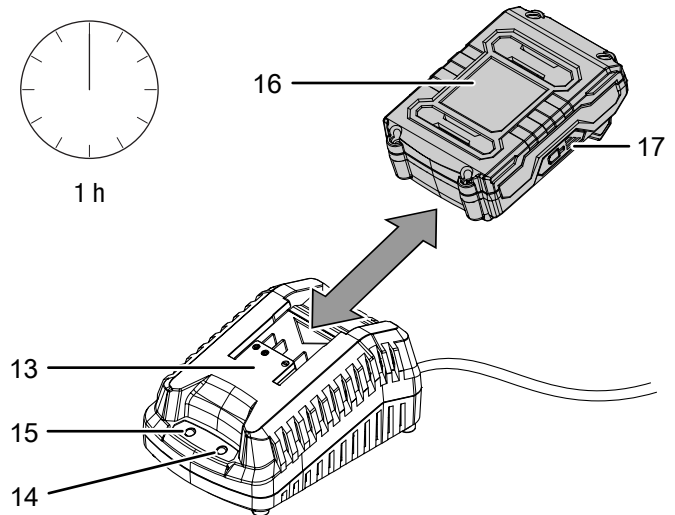
Remove the charger's mains plug before inserting or removing the battery.

Never charge the battery at ambient temperatures below 10 °C or above 45 °C.

The battery is partially charged upon delivery to avoid damage to the battery caused by a deep discharge.

Prior to initial start-up and when the battery is low (only the red LED in the battery level indication (17) is illuminated), the battery should be charged. To do so, please proceed as follows:

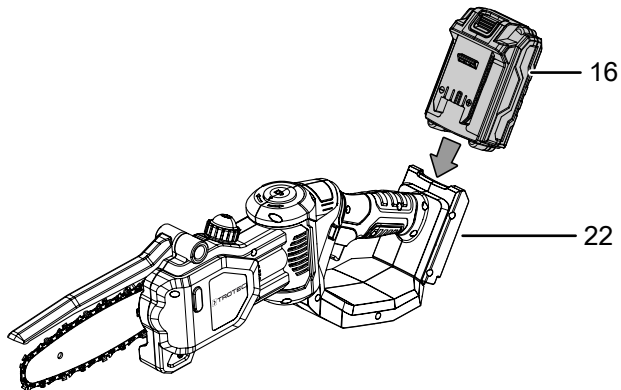
1. Slide the battery (16) onto the quick charger (13) as depicted until the battery locks in place.



2. Insert the mains plug of the quick charger (13) into a properly fused mains socket.
 - ⇒ The red battery LED (14) lights up.
 - ⇒ Charging requires approx. one hour.
3. Wait until the red battery LED (14) goes off and the green battery LED (15) lights up.
 - ⇒ The battery (16) is fully charged.
4. Hold onto the mains plug while pulling the power cable of the quick charger (13) out of the mains socket.
 - ⇒ The battery (16) and the quick charger (13) may have become warm during charging. Allow the battery (16) to cool down to room temperature.
5. Take the battery (16) out of the quick charger (13) by pressing and holding the release button (18) and pulling the battery (16) off the quick charger (13).

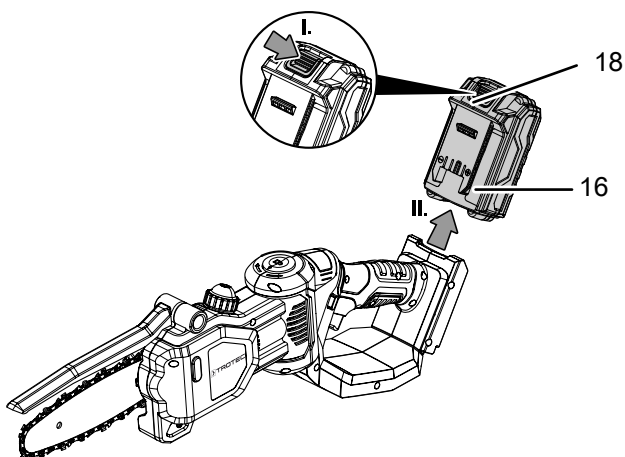
Inserting the battery

1. Slide the battery (16) into the holder (22) until it locks in place.



Removing the battery

1. Detach the battery (16) from the device by pressing and holding the unlocking button (18, I.) and pulling the battery off the device (II.).



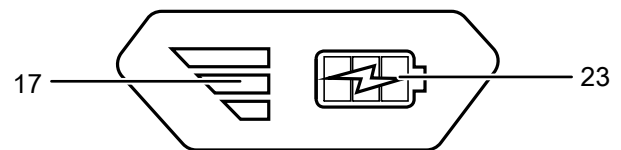
2. If required, charge the battery (16) as described in the section *Charging the battery*.

Checking the battery charging status

The battery comes with an integrated battery level indication. The battery status is displayed as follows by the three LEDs of the battery level indication (17):

LED colour	Meaning
Green – Orange – Red	maximum charge / power
Orange – Red	medium charge / power
Red	weak charge – recharge the battery

1. Press on the battery icon (23) on the battery (16).
⇒ You can read the battery status from the battery level indication (17).



Mounting the saw chain and guide bar



Warning

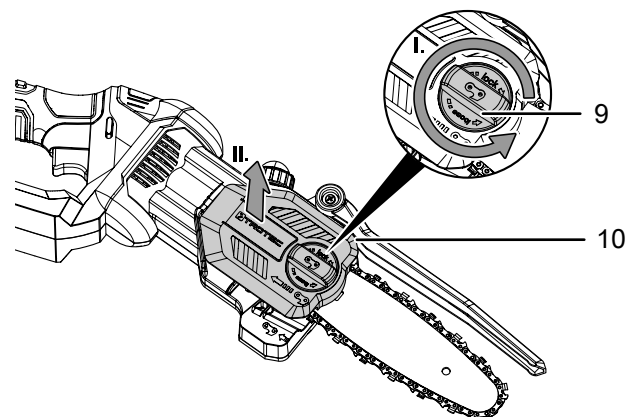
The chain is sharp. Wear protective gloves when changing the chain.



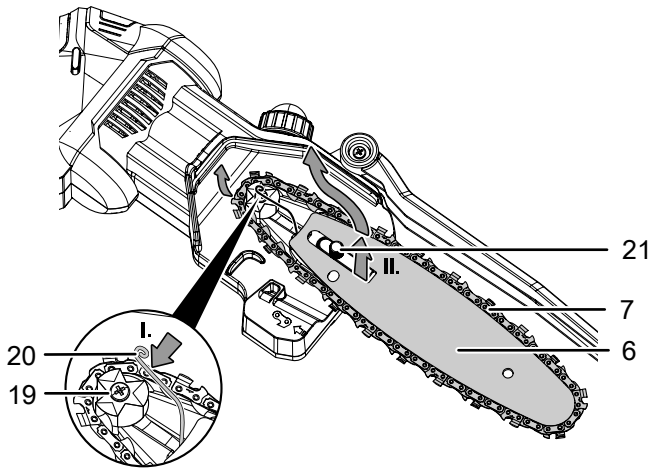
Info

Before changing the saw chain, remove any dirt from the groove in the guide rail, since dirt deposits may make the chain come off the rail. The deposits may also soak up the chain oil. The consequence would be that the chain oil does not or only insufficiently reach the bottom side of the rail so that the level of lubrication is reduced.

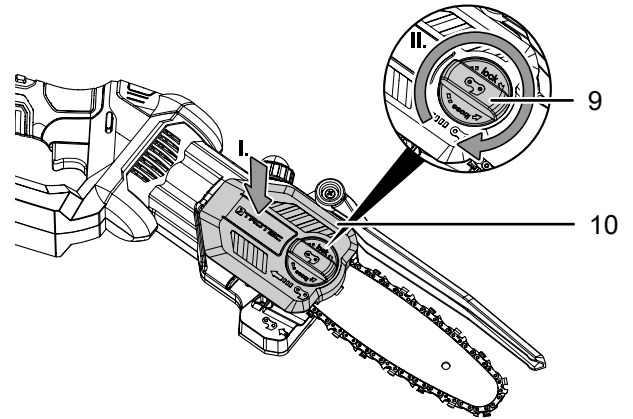
1. Remove the battery.
2. Place the device onto a firm and flat base.
3. Unscrew the securing nut (9) in counter-clockwise direction and then remove the chain sprocket cover (10).



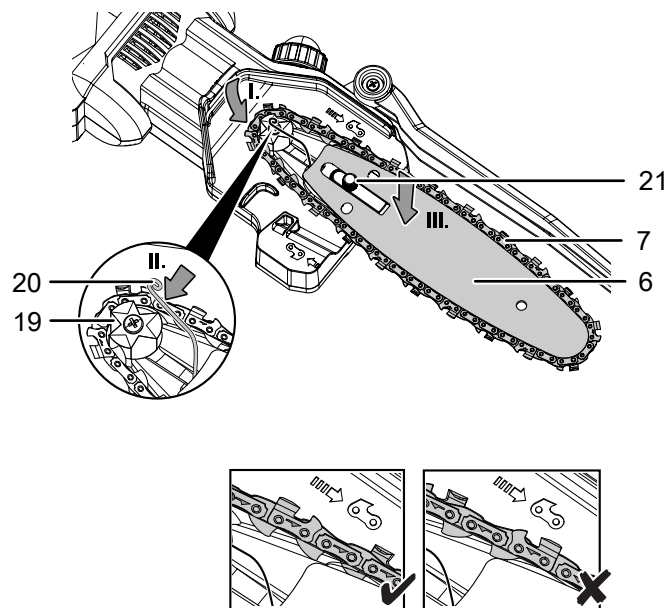
4. Remove the bar (6) and the saw chain (7).



7. Put on the chain sprocket cover (10) and then tighten the securing nut (9) again.



5. Insert the new saw chain (7) into the guide rail. Ensure that the running direction of the saw chain (7) is correct. For this purpose, compare the chain symbol on the tool housing with the saw chain (7).
 6. Place the bar (6) onto the tension spring (20) and the fixing screw (21). Place the saw chain (7) around the drive sprocket (19). The saw chain (7) will tension automatically.



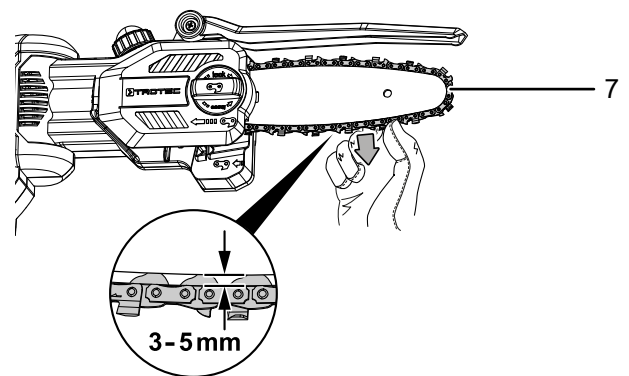
Tensioning the saw chain



Note

Before start-up, check the chain tension and adjust it, if necessary. When you work with the pruning saw, the chain will heat up and slightly expand in this process. This can occur in particular with new chains.

1. Slightly loosen the securing nut (9). The chain cover (10) remains mounted.
2. The saw chain (7) will tighten automatically.
3. Then tighten the securing nut (9) again.
4. Check the chain tension at regular intervals. If the chain tension is correct, the saw chain (7) can be drawn upwards 3–5 mm.



Filling in chain oil



Note

For pruning trees, use a conventional bio multi oil. Mineral oil can damage trees. Never use waste oil, engine oil or very thick oils. They might damage the pruning saw.

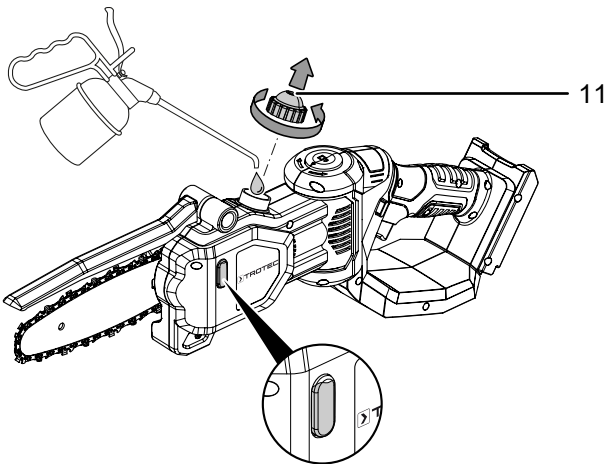


Note

Never let the saw run without chain oil. The tank should be filled at least 1/4. If the chain is not oiled, the bar and chain may be damaged.

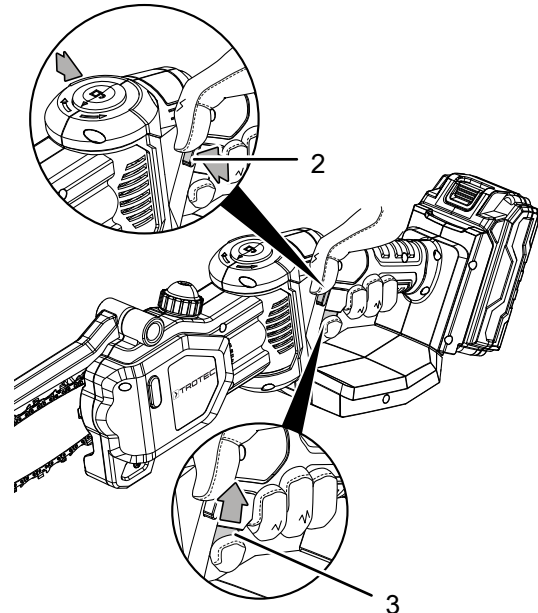
There is no chain oil supplied with the device.

1. Check the oil level on the oil level indicator (5) at regular intervals.
2. Remove the cap on the oil reservoir (11).
3. Fill in the chain oil and put the cap onto the oil reservoir (11) again.

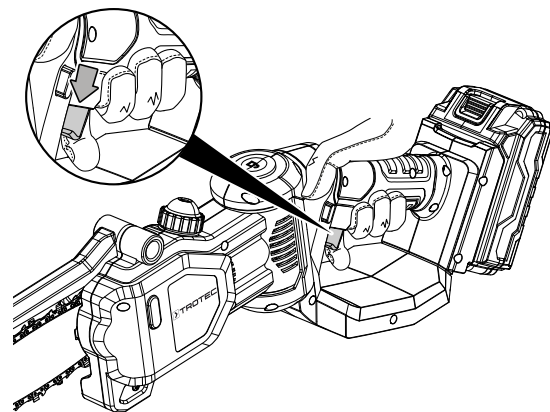


Switching the device on and off

1. Press the start lock (2) to be able to actuate the on/off switch (3).
2. Press the on/off switch (3) and hold it during operation.



3. After completion of the work, let go of the on/off switch (3) to stop the device.



Operation



Warning

Do not work outdoors with the device in case of approaching rain or thunderstorms. The device may attract a lightning strike. Water ingress into the housing can cause an electric shock.

Tips and notes on handling the pruning saw

General information:

- Make sure to hold the device with both hands while you use it, holding it on the activation handle with your right hand and on the upper side with your left hand.
- Make sure that you are standing firmly on the ground.
- Keep your distance to other persons.

Cutting

Attention
Check the chain tension approximately every 10 minutes during operation.

Note
When changing the chain, the guide rail must be freed from dirt, since dirt deposits may cause the chain to jump from the guide rail.

- Practise this on a test piece in a safe working area first until you feel safe to do it.
- The section of the trunk to be cut must not lie on the floor. In this way the chain cannot touch the floor when you are cutting through the trunk. Touching the floor whilst the chain is moving is dangerous and makes the chain blunt.
- The saw must run at full speed before you carry out a cut.
- Move the saw slowly against the wood. The wood should be as close as possible to the saw housing. Keep a firm grip of the saw so as to prevent a potential kickback of the saw.
- Use the saw with slight pressure and do not exert excessive force on the saw.
- Remove the saw from a cut while the saw is still running at full speed. Make sure that the chain has come to a standstill before setting down the saw.

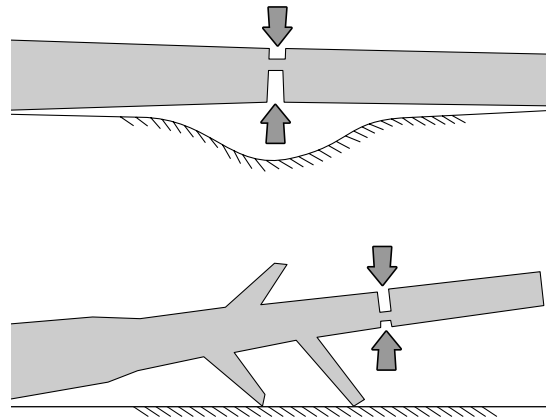
Anti-kickback attachment

- This saw is supplied with a low-kickback saw chain and bar.
- The following steps reduce the risk of a potential kickback:
- Keep all protective elements mounted. Make sure that they are working properly.
- Do not work above shoulder height. Do not reach out across the saw with your hands while you are working.
- Always make sure that you are standing on the ground steadily and keep your balance.
- Make sure that the tip of the bar does not touch anything while the saw chain is moving.
- Never try to cut through two pieces of wood at the same time. Always cut them separately.
- Do not push the tip of the bar into holes in trees and do not attempt any plunge cuts.
- Make sure that the saw chain does not jam while you are sawing.
- If you have already carried out a cut and you wish to extend it, carefully bring the device into the cut that is already available.
- Never work with a blunt or loose saw chain. Keep the saw chain sharp with the proper chain tension.

Cutting wood under tension

Warning
Be extremely careful when you are cutting a branch that is under tension. When the tension of the wood is released, the branch may spring back and hit persons, which may lead to severe or fatal injuries.

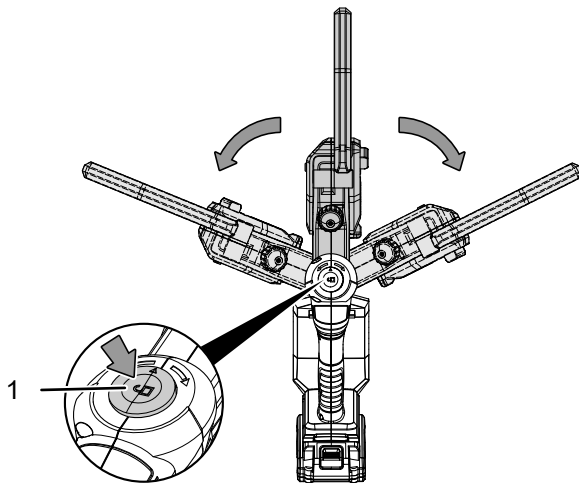
1. When you are sawing trunks that are supported on both sides, start the cut from above approximately 1/3 of the diameter into the trunk, then complete the cut from below, in order to avoid contact of the pruning saw with the floor.
2. When you are sawing trunks that are merely supported on one end, start the cut from below approx. 1/3 of the diameter into the trunk and complete the cut from above, in order to prevent splitting of the trunk or jamming of the pruning saw.



Swivelling the handle

The handle cannot be swivelled while the device is running.

1. Remove the battery.
2. Press the angle adjustment button (1), swivel the housing and then let go of the angle adjustment button (1) and turn the housing further until it engages.



Shutdown



Warning of electrical voltage

Do not touch the mains plug with wet or damp hands.

- Switch the device off.
- If required, allow the device to cool down.
- Hold onto the mains plug while pulling the power cable of the charger out of the mains socket.
- Remove the battery from the device (see Start-up chapter).
- Put on the protective cover.
- Clean the device according to the Maintenance chapter.
- Store the device according to the Transport and storage chapter.

Available accessories



Warning

Only use accessories and additional equipment specified in the instructions. Using insertion tools or accessories other than those specified in the instructions may cause a risk of injury.

Designation	Article number
Multiflex 20V 2.0 Ah spare battery	6.200.000.303
Multiflex 20V 4.0 Ah spare battery	6.200.000.320
Saw chain	6.215.002.001

Errors and faults

The device has been checked for proper functioning several times during production. If malfunctions occur nonetheless, check the device according to the following list.

Troubleshooting tasks which require the housing to be opened must only be carried out by an authorized specialist electrical company or by Trotec.

Light smoke or odour is emitted during the first use:

- This is not a fault. These phenomena disappear after a brief runtime.

The battery does not charge:

- Check whether the battery is inserted correctly in the quick charger. Slide the battery into the quick charger in a way that the battery terminals engage in the quick charger. The battery must lock in place in the quick charger.
- Check the power connection.
- Check the power cable and mains plug for damage.
- Check the on-site fusing.
- Check the quick charger for damage. If the quick charger is damaged, stop using it. Contact the Trotec customer service.
- Check the battery terminals for dirt. Remove any dirt.
- The battery might be defective and have to be replaced. Only use batteries of the same type.

The device does not start:

- The battery power might be too low. Recharge the battery.
- Check whether the battery is correctly connected to the device.

Slide the battery onto the device in a way that the battery terminals engage. The battery must lock in place in the device.

- Check the battery terminals for dirt. Remove any dirt.
- The battery is empty or not attached. Check the battery charging status, have it repaired by an electrically skilled person, if necessary.
- The on/off switch is defective. Please contact your customer service.
- The motor is defective. Please contact your customer service.
- The saw chain is jammed by branch bits or dirt. Remove potential dirt from the saw chain.

Poor cutting performance:

- The saw chain is mounted incorrectly. Mount the saw chain correctly.
- The saw chain is blunt. Sharpen the teeth of the saw chain or mount a new one.
- Insufficient chain tension. Tension the saw chain.

Device is running with difficulty, chain jumps:

- Insufficient chain tension. Tension the saw chain.

The chain gets hot, smoke development during the sawing process, discolouration of the bar:

- Insufficient quantity of oil. Refill oil.

The device still does not operate correctly after these checks:

Please contact the customer service. If necessary, bring the device to an authorised specialist electrical company or to Trotec for repair.

Maintenance**Activities required before starting maintenance****Warning of electrical voltage**

Do not touch the mains plug or the battery with wet or damp hands.

- Switch the device off.
- Allow the device to cool down completely.
- Remove the battery from the device.

**Warning of electrical voltage**

Maintenance tasks which require the housing to be opened must only be carried out by authorised specialist companies or by Trotec.

Notes on maintenance

- Check the device for visible defects at regular intervals, e.g. a loose, detached or damaged saw chain, loose attachment and worn or defective parts.

Safety signs and labels on the device

Check the safety signs and labels attached to the device at regular intervals. Replace illegible safety signs!

Safety signs on the battery and the charger

Check the safety signs attached to the battery and the charger at regular intervals. Replace illegible safety signs!

Cleaning

The device should be cleaned before and after each use.

**Warning of electrical voltage**

There is a risk of a short-circuit due to liquids penetrating the housing!

Do not immerse the device and the accessories in water. Make sure that no water or other liquids can enter the housing.

- Clean the device with a soft, damp and lint-free cloth. Make sure that no moisture enters the housing. Protect electrical components from moisture. Do not use any aggressive cleaning agents such as cleaning sprays, solvents, alcohol-based or abrasive cleaners to dampen the cloth.
- Dry the device with a soft, lint-free cloth.
- Keep the connecting terminals on the device and charger clean.

Disposal

Always dispose of packing materials in an environmentally friendly manner and in accordance with the applicable local disposal regulations.



The icon with the crossed-out waste bin on waste electrical or electronic equipment stipulates that this equipment must not be disposed of with the household waste at the end of its life. You will find collection points for free return of waste electrical and electronic equipment in your vicinity. The addresses can be obtained from your municipality or local administration. You can also find out about other return options that apply for many EU countries on the website <https://hub.trotec.com/?id=45090>. Otherwise, please contact an official recycling centre for electronic and electrical equipment authorised for your country.

The separate collection of waste electrical and electronic equipment aims to enable the re-use, recycling and other forms of recovery of waste equipment as well as to prevent negative effects for the environment and human health caused by the disposal of hazardous substances potentially contained in the equipment.



Li-Ion In the European Union, batteries and accumulators must not be treated as domestic waste, but must be disposed of professionally in accordance with Directive 2006/66/EC of the European Parliament and of the Council of 6 September 2006 on batteries and accumulators. Please dispose of batteries and accumulators according to the relevant legal requirements.

Waste oil

The waste oil must be drained from the device and collected.

The waste oil must be disposed of according to national regulations.

Only for United Kingdom

According to Waste Electrical and Electronic Equipment Regulations 2013 (SI 2013/3113) (as amended) and the Waste Batteries and Accumulators Regulations 2009 (SI 2009/890) (as amended), devices that are no longer usable must be collected separately and disposed of in an environmentally friendly manner.

Declaration of conformity

Declaration of conformity in accordance with the EC Machinery Directive 2006/42/EC, Annex II, Part 1, Section A

We – Trotec GmbH – declare in sole responsibility that the product designated below was developed, constructed and produced in compliance with the requirements of the EC Machinery Directive in the version 2006/42/EC.

Product model / Product: PCHS 10-20V
Product type: cordless pruning saw
Year of manufacture as of: 2022

Guaranteed sound power level L_{WA} : 98 dB(A)

Relevant EU directives:

- 2000/14/EG
- 2005/88/EG
- 2011/65/EU
- 2014/30/EU
- 2015/863/EU

Applied harmonised standards:

- EN ISO 12100:2010
- EN 62841-1:2015

Applied national standards and technical specifications:

- None

Conformity assessment procedure

SGS Fimko Ltd

Notified body 0598

Certificate no. MD-346

Manufacturer and name of the authorised representative of the technical documentation:

Trotec GmbH

Grebberer Straße 7, D-52525 Heinsberg

Phone: +49 2452 962-400

E-mail: info@trotec.de

Place and date of issue:

Heinsberg, 13.05.2022



Detlef von der Lieck, Managing Director

Trotec GmbH

Grebener Str. 7
D-52525 Heinsberg

☎ +49 2452 962-400

☎ +49 2452 962-200

✉ info@trotec.com

www.trotec.com