

PPLS 10-750 / PPLS 10-800



EN

ORIGINAL INSTRUCTIONS
PLANER

 TROTEC

Table of contents

Notes regarding the instructions 2

Safety 3

Information about the device 6

Transport and storage 9

Start-up 9

Operation 11

Errors and faults 14


Maintenance 14


Disposal 17


Declaration of conformity 17


Notes regarding the instructions

Symbols


 **Warning of electrical voltage**
This symbol indicates dangers to the life and health of persons due to electrical voltage.


 **Warning of explosive substances**
This symbol indicates dangers to the life and health of persons due to potentially explosive substances.

 **Warning of hot surface**
This symbol indicates dangers to the life and health of persons due to hot surface.

 **Warning of sharp object**
This symbol indicates dangers to the life and health of persons due to pointed objects.

 **Warning of hand injuries**
This symbol indicates dangers to the health of persons due to hand injuries.

 **Warning**
This signal word indicates a hazard with an average risk level which, if not avoided, can result in serious injury or death.

 **Caution**
This signal word indicates a hazard with a low risk level which, if not avoided, can result in minor or moderate injury.

Note

This signal word indicates important information (e.g. material damage), but does not indicate hazards.



Info

Information marked with this symbol helps you to carry out your tasks quickly and safely.



Follow the manual

Information marked with this symbol indicates that the instructions must be observed.



Wear hearing protection

Information marked with this symbol indicates that you should wear hearing protection.



Wear safety glasses

Information marked with this symbol indicates that you should wear eye protection.



Wear a protective mask

Information marked with this symbol indicates that you should wear a protective mask.



Wear protective clothing

Information marked with this symbol indicates that you should wear protective clothing.



Wear protective gloves

Information marked with this symbol indicates that you should wear protective gloves.

You can download the current version of the instructions and the EU declaration of conformity via the following link:



PPLS 10-750



<https://hub.trotec.com/?id=41106>

PPLS 10-800



<https://hub.trotec.com/?id=45733>

Safety

General Power Tool Safety Warnings



Warning

Read all safety warnings, instructions, illustrations and specifications provided with this power tool.

Failure to follow all instructions listed below may result in electric shock, fire and/or serious injury.

Save all warnings and instructions for future reference.

The term *power tool* in the warnings refers to your mains-operated (corded) power tool or battery-operated (cordless) power tool.



General Power Tool Safety Warnings – Work area safety

- **Keep work area clean and well lit.** Clutter or dark areas invite accidents.
- **Do not operate power tools in explosive atmosphere, such as in the presence of flammable liquids, gases or dust.** Power tools create sparks which may ignite the dust or fumes.
- **Keep children and bystanders away while operating a power tool.** Distractions can cause you to lose control.



General Power Tool Safety Warnings – Electrical safety

- **Power tool plugs must match the outlet. Never modify the plug in any way. Do not use any adapter plugs with earthed (grounded) power tools.** Unmodified plugs and matching outlets will reduce risk of electric shock.
- **Avoid body contact with earthed or grounded surfaces, such as pipes, radiators, ranges and refrigerators.** There is an increased risk of electric shock if your body is earthed or grounded.
- **Do not expose power tools to rain or wet conditions.** Water entering a power tool will increase the risk of electric shock.
- **Do not abuse the cord. Never use the cord for carrying, pulling or unplugging the power tool. Keep cord away from heat, oil, sharp edges or moving parts.** Damaged or entangled cords increase the risk of electric shock.
- **When operating a power tool outdoors, use an extension cord suitable for outdoor use.** Use of a cord suitable for outdoor use reduces the risk of electric shock.
- **If operating a power tool in a damp location is unavoidable, use a residual current device (RCD) protected supply.** Use of an RCD reduces the risk of electric shock.



General Power Tool Safety Warnings – Personal safety

- **Stay alert, watch what you are doing and use common sense when operating a power tool. Do not use a power tool while you are tired or under the influence of drugs, alcohol or medication.** A moment of inattention while operating power tools may result in serious personal injury.
- **Use personal protective equipment. Always wear eye protection.** Protective equipment such as a dust mask, non-skid safety shoes, hard hat or hearing protection used for appropriate conditions will reduce personal injuries.
- **Prevent unintentional starting. Ensure the switch is in the off-position before connecting to power source and/or battery pack, picking up or carrying the tool.** Carrying power tools with your finger on the switch or energising power tools that have the switch on invites accidents.
- **Remove any adjusting key or wrench before turning the power tool on.** A wrench or a key left attached to a rotating part of the power tool may result in personal injury.
- **Do not overreach. Keep proper footing and balance at all times.** This enables better control of the power tool in unexpected situations.
- **Dress properly. Do not wear loose clothing or jewellery. Keep your hair and clothing away from moving parts.** Loose clothes, jewellery or long hair can be caught in moving parts.
- **If devices are provided for the connection of dust extraction and collection facilities, ensure these are connected and properly used.** Use of dust collection can reduce dust-related hazards.
- **Do not let familiarity gained from frequent use of tools allow you to become complacent and ignore tool safety principles.** A careless action can cause severe injury within a fraction of a second.



General Power Tool Safety Warnings – Power tool use and care

- **Do not force the power tool. Use the correct power tool for your application.** The correct power tool will do the job better and safer at the rate for which it was designed.
- **Do not use the power tool if the switch does not turn it on and off.** Any power tool that cannot be controlled with the switch is dangerous and must be repaired.

- **Disconnect the plug from the power source and/or remove the battery pack, if detachable, from the power tool before making any adjustments, changing accessories, or storing power tools.** Such preventive safety measures reduce the risk of starting the power tool accidentally.
- **Store idle power tools out of the reach of children and do not allow persons unfamiliar with the power tool or these instructions to operate the power tool.** Power tools are dangerous in the hands of untrained users.
- **Maintain power tools and accessories. Check for misalignment or binding of moving parts, breakage of parts and any other condition that may affect the power tool's operation. If damaged, have the power tool repaired before use.** Many accidents are caused by poorly maintained power tools.
- **Keep cutting tools sharp and clean.** Properly maintained cutting tools with sharp cutting edges are less likely to bind and are easier to control.
- **Use the power tool, accessories and tool bits etc. in accordance with these instructions, taking into account the working conditions and the work to be performed.** Use of the power tool for operations different from those intended could result in a hazardous situation.
- **Keep handles and grasping surfaces dry, clean and free from oil and grease.** Slippery handles and grasping surfaces do not allow for safe handling and control of the tool in unexpected situations.
- **Only hold the power tool against the workpiece when the tool is switched on and running.** Otherwise there is a risk of kickbacks.
- **Do not use the power tool for processing metal.** Otherwise, the blade or cutting head could be damaged.
- **During operation hold onto the power tool with both hands and make sure you stand firmly on the ground.** It is safer to handle the power tool with two hands.
- **Do not under any circumstances use the power tool if you detect damages on the mains plug or power cable.** If the supply cord is damaged, it must be replaced by the manufacturer, his service agent or similarly qualified persons in order to avoid a hazard. Defective power cables pose a serious health risk!
- **Keep your hands away from the cutting head. Do not reach into the area between the power tool and the workpiece. Do not rest your hands near the power tool.** Risk of injury upon contact with the blade.
- **Do not treat the surface to be processed with liquids containing solvents.** Toxic fumes may be produced during scraping owing to the heat-up of the materials.
- **Use appropriate detection equipment to track down concealed supply lines or consult the local utility companies.** Contact with electrical lines may result in fire and electric shock. Damaging a gas line may lead to an explosion. Penetrating a water line causes property damage and may cause an electric shock.
- **Use sharp blades only.**



General Power Tool Safety Warnings – Service

- **Have your power tool serviced by a qualified repair person using only identical replacement parts.** This will ensure that the safety of the power tool is maintained.



Safety instructions for planers

- **Wait for the cutter to stop before setting the tool down.** An exposed rotating cutter may engage the surface leading to possible loss of control and serious injury.
- **Hold the power tool by insulated gripping surfaces, because the cutter may contact its own cord.** Cutting accessory contacting a "live" wire may make exposed metal parts of the power tool "live" and could give the operator an electric shock.
- **Use clamps or another practical way to secure and support the workpiece to a stable platform.** Holding the workpiece by your hand or against the body leaves it unstable and may lead to loss of control.

Intended use

Only use the device PPLS 10-750 / PPLS 10-800:

- for planing wood materials, e.g. beams and boards, while keeping base plate contact,
- for chamfering edges of wood materials while keeping base plate contact,
- for rebating wood materials while keeping base plate contact

whilst adhering to the technical data.

We recommend using the power tool with original Trotec accessories.

Foreseeable misuse

The device is not suitable for planing metal.

The device is not intended for processing damp wood.

Any other use than the one described in the chapter "Intended use" is regarded as reasonably foreseeable misuse.

Personnel qualifications

People who use this device must:

- have read and understood the instructions, especially the Safety chapter.

Personal protective equipment



Wear hearing protection.

Excessive noise can lead to hearing loss.



Wear eye protection.

With it you protect your eyes from splintering, falling and flying pieces which could cause injuries.



Wear a protective mask.

It saves you from inhaling harmful dusts generated when processing workpieces.



Wear protective gloves.

They protect your hands from burns, crushing injuries and skin abrasions.



Wear tight-fitting protective clothing.

This protects you from the draw-in and entanglement hazard posed by rotating parts.

Residual risks



Warning of electrical voltage

Electric shock from insufficient insulation.
Check the device for damages and proper functioning before each use.

If you notice damages, no longer use the device.

Do not use the device when the device or your hands are damp or wet!



Warning of electrical voltage

Work on the electrical components must only be carried out by an authorised specialist company!



Warning of electrical voltage

Before any work on the device, remove the mains plug from the mains socket!

Do not touch the mains plug with wet or damp hands.

Hold onto the mains plug while pulling the power cable out of the mains socket.



Warning of electrical voltage

Make sure that you do not contact power lines. Improper handling of the device entails a risk of electric shock!



Warning of electrical voltage

There is a risk of a short-circuit due to liquids penetrating the housing!

Do not immerse the device and the accessories in water. Make sure that no water or other liquids can enter the housing.



Warning of explosive substances

Fine dust produced during planing is highly flammable. Risk of fire and explosion!

Use a dust or chip bag or a dust extraction system for collecting the produced dusts.



Warning of hot surface

The cutting head might still be hot after the application.

Burn hazard when touching the cutting head.

Do not touch the cutting head bare-handed!

Wear protective gloves!



Warning of hand injuries

Crushing hazard near cutting head and base plate if handled without due care.

Wear protective gloves!



Warning of hand injuries

Do not insert any limbs or objects into the chip ejector.

Crushing hazard if handled without due care.

Wear protective gloves!



Warning of sharp object

Blades have sharp cutting edges. Risk of injury from cuts if handled without due care.

Wear protective gloves!



Warning

Toxic dusts!

The harmful / toxic dusts produced during operation pose of risk to the health of the operator and persons in the vicinity.

Wear eye protection and a dust mask!



Warning

Do not process materials containing asbestos.

Asbestos is considered carcinogenic.



Warning

Risk of injuries caused by flying parts.

Use a dust or chip bag or a dust extraction system.

**Warning**

Dangers can occur at the device when it is used by untrained people in an unprofessional or improper way! Observe the personnel qualifications!

**Warning**

The device is not a toy and does not belong in the hands of children.

**Warning**

Risk of suffocation!
Do not leave the packaging lying around. Children may use it as a dangerous toy.

**Caution**

Vibration emissions can cause a health hazard if the device is used for an extended period of time or if it is not properly handled and maintained.

**Caution**

Keep a sufficient distance from heat sources.

Note

If you store or transport the device improperly, the device may be damaged.
Note the information regarding transport and storage of the device.

Behaviour in the event of an emergency / emergency stop function

Emergency stop:

Removing the mains plug from the mains socket results in the function of the device immediately stopping. In order to secure the device against accidental switch-on, leave the mains plug disconnected.

Behaviour in the event of an emergency:

1. Switch the device off.
2. In an emergency, disconnect the device from the mains feed-in: Hold onto the mains plug while pulling the power cable out of the mains socket.
3. Do not reconnect a defective device to the mains.

Information about the device**Device description**

The device PPLS 10-750 or PPLS 10-800 is an electrical planer for processing wooden surfaces.

The device comes with an idle speed of 13,000 rpm (PPLS 10-750) or an idle speed of 17,000 rpm (PPLS 10-800).

The cutting depth can be set at the rotary knob to up to 3 millimetres (PPLS 10-750) or up to 2.5 mm (PPLS 10-800).

The lift-off device, which folds out automatically, prevents damage of the workpiece or blade when the device is put down.

The 3 V grooves are suited for chamfering edges.

Chip ejection is possible on the left or right as desired.

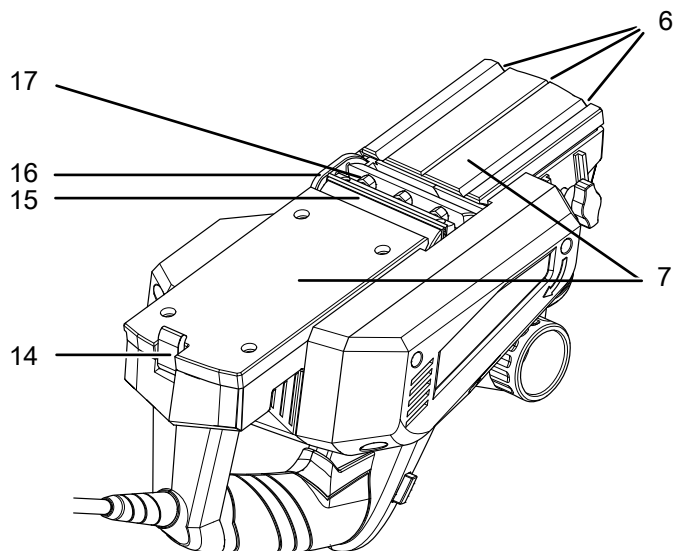
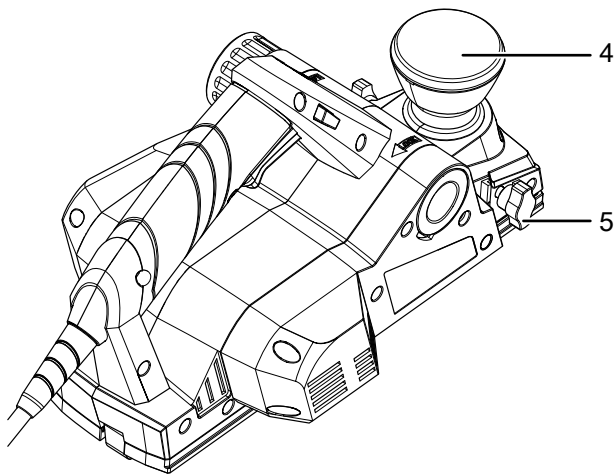
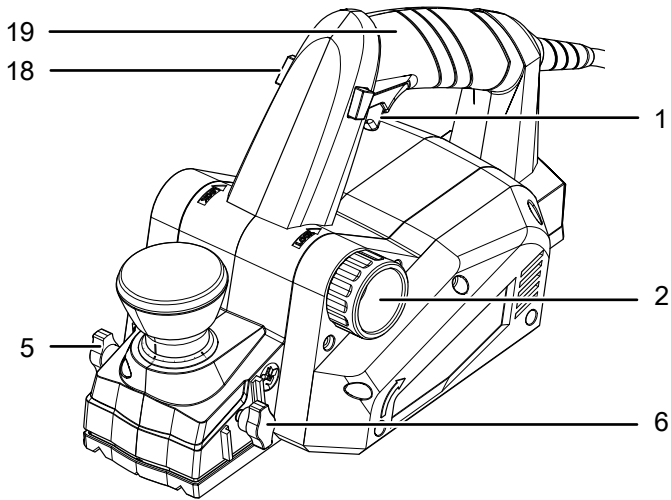
The device is equipped with a start lock preventing unintentional switch-on of the device.

**Info**

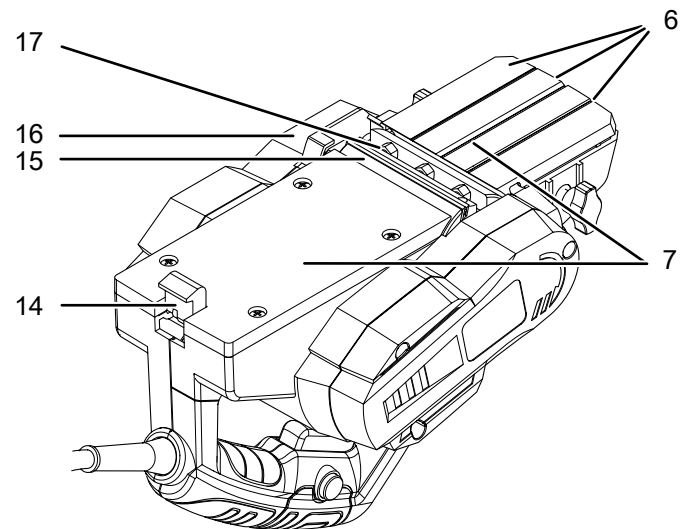
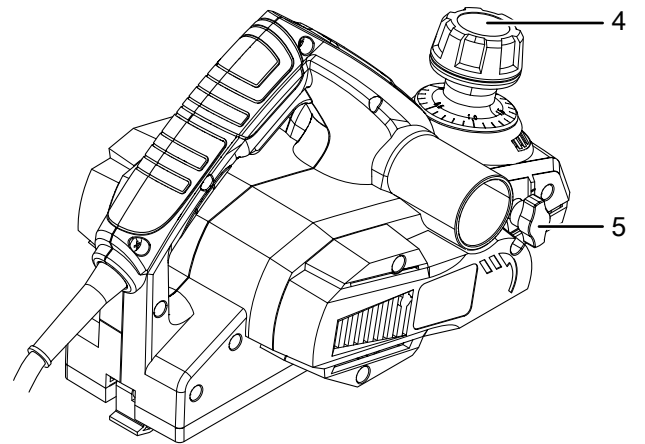
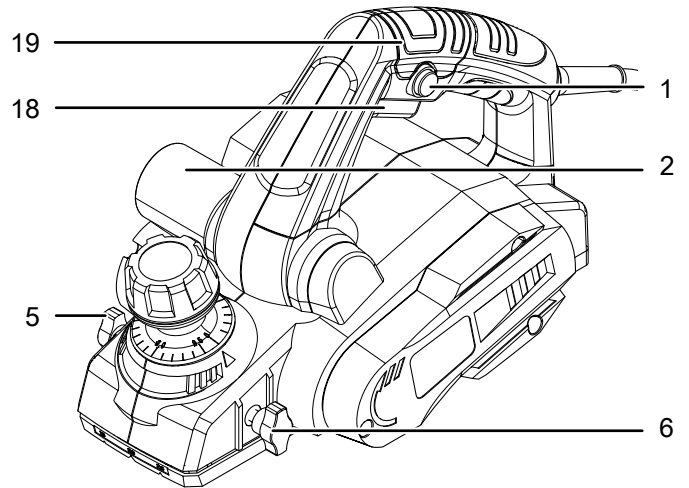
The illustrations in these instructions feature the device PPLS 10-750 by way of example. The represented operating steps and explanations also apply to device PPLS 10-800 unless otherwise mentioned.

Device depiction

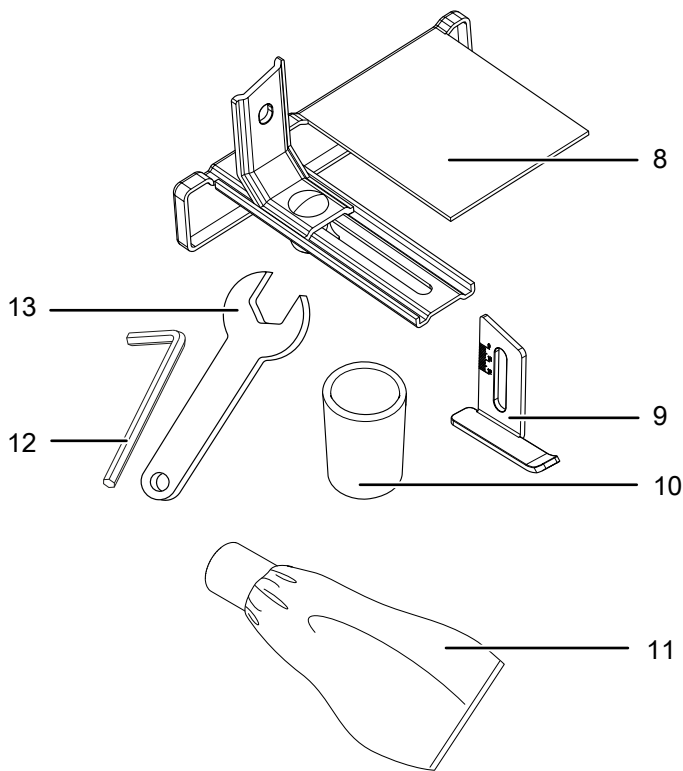
PPLS 10-750



PPLS 10-800



Accessories



No.	Designation
1	On/off switch
2	Chip ejector / connection for dust extraction system
3	Fastening screw for rip fence
4	Rotary knob for cutting depth setting
5	Fastening screw for rebating depth stop
6	V grooves
7	Base plate
8	Rip fence
9	Rebating depth stop
10	Adapter for dust extraction (PPLS 10-750)
11	Dust bag (PPLS 10-800)
12	Allen wrench
13	Open-end wrench
14	Lift-off device
15	Cutting head
16	Protective cover
17	Tension element with blade
18	Start lock
19	Device handle

Scope of delivery

- 1 x Device PPLS 10-750 / PPLS 10-800
- 1 x Adapter for dust extraction (PPLS 10-750 only)
- 1 x Dust bag (PPLS 10-800 only)
- 1 x Rip fence
- 1 x Rebating depth stop
- 1 x Allen wrench
- 1 x Open-end wrench
- 1 x Manual

Technical data

Parameter	Value	Value
Model	PPLS 10-750	PPLS 10-800
Mains connection	230 V / 50 Hz	220-240 V / 50 Hz
Power input	750 W	800 W
Idle speed	13,000 rpm	17,000 rpm
Planing width	82 mm	82 mm
Cutting depth	0 to 3.0 mm	0 to 2.5 mm
Rebating depth	max. 15 mm	max. 11 mm
Cable length	3 m	2 m
Protection class	II (double insulation) /	
Weight	3.5 kg	
Vibration information according to EN 62841		
Vibration emission value a_h	5.6 m/s ²	6.47 m/s ²
Uncertainty K	1.5 m/s ²	1.5 m/s ²
Sound values according to EN 62841		
Sound pressure level L_{pA}	89 dB (A)	85 dB (A)
Sound power L_{WA}	100 dB (A)	96 dB (A)
Uncertainty K	3 dB	3 dB



Wear hearing protection.

Excessive noise can lead to hearing loss.

Information on noise and vibration:

- The specified total vibration **and noise emission values** were measured by means of a test procedure standardized in EN 62841 and can be consulted for the comparison of one power tool with another.
- The specified total vibration **and noise emission values** can also be used for preliminary load assessment.



Caution

Vibration emissions can cause a health hazard if the device is used for an extended period of time or if it is not properly handled and maintained.

- The actual vibration **and noise emission** may differ from the stated values during operation of the power tool. This depends on how the power tool is used and especially on the type of workpiece being processed. Try to keep the vibration load to a minimum. Exemplary measures for reducing the vibration load include wearing gloves during operation of the tool and the limitation of working hours. All parts of an operating cycle must be considered for this (e.g. times at which the power tool is switched off and times when it is switched on but runs without load).

Transport and storage

Note

If you store or transport the device improperly, the device may be damaged.
Note the information regarding transport and storage of the device.

Transport

Before transporting the device, observe the following:

- Switch off the device.
- Hold onto the mains plug while pulling the power cable out of the mains socket.
- Allow the device to cool down.
- If attached, disconnect the dust extraction system from the device.
- If attached, disconnect the dust bag from the device.

Storage

Before storing the device, observe the following:

- Switch off the device.
- Hold onto the mains plug while pulling the power cable out of the mains socket.
- Allow the device to cool down.
- If attached, disconnect the dust extraction system from the device.
- Clean the device as described in the Maintenance chapter.

When the device is not being used, observe the following storage conditions:

- Dry and protected from frost and heat
- Ambient temperature below 45 °C
- Protected from dust and direct sunlight

Start-up

Unpacking the device

- Take the device and the accessories out of the packaging.



Warning of electrical voltage

Electric shock from insufficient insulation.
Check the device for damages and proper functioning before each use.

If you notice damages, no longer use the device.

Do not use the device when the device or your hands are damp or wet!

- Check the scope of delivery for completeness and look for damages.



Warning

Risk of suffocation!

Do not leave the packaging lying around. Children may use it as a dangerous toy.

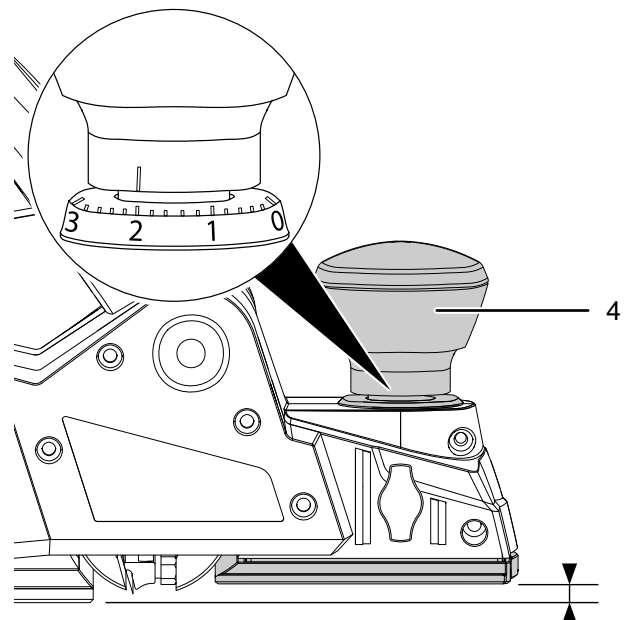
- Dispose of the packaging material according to the national regulations.

Setting the cutting depth

The cutting depth of the PPLS 10-750 can be set in steps of 0.2 mm in the range between 0 mm and 3 mm.

The cutting depth of the PPLS 10-800 can be set in steps of 0.1 mm in the range between 0 mm and 2.5 mm.

1. Turn the rotary knob for cutting depth setting (4) to set the desired cutting depth.

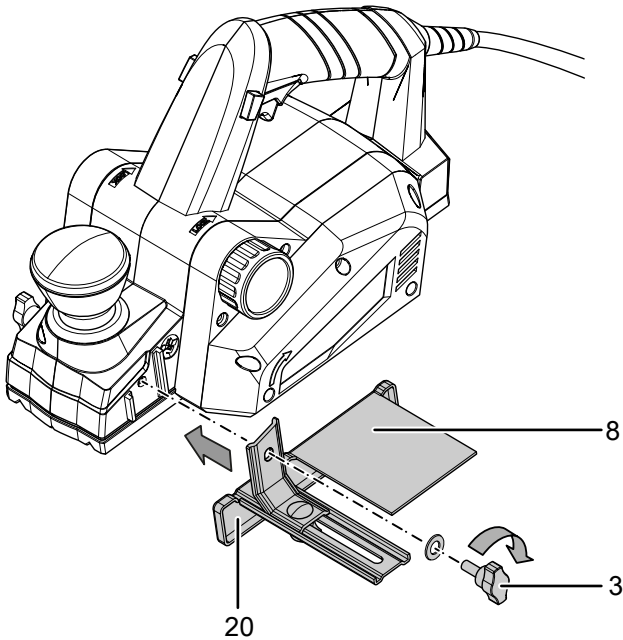


Mounting the rip fence

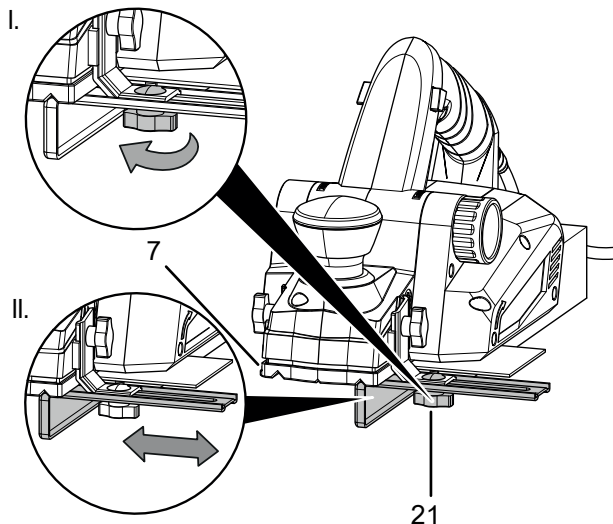
The rip fence serves as a guide for precise working at the edge of a workpiece. Furthermore, you can use the rip fence to reduce the width of the planing track or of the base plate resting on the workpiece.

Proceed as follows to mount the rip fence:

1. Use the fastening screw (3) to fasten the rip fence (8) to the left side of the device. Note that the guide rail (20) must always point downwards.



2. Loosen the set screw (21) to adjust the width of the base plate (7) or the position of the guide.



3. Tighten the set screw (21) after the desired position has been set.



Info

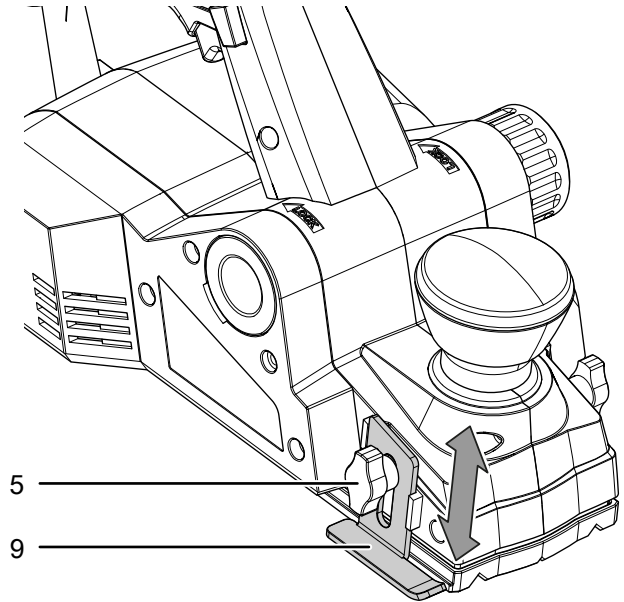
If you are using the rip fence, apply slight lateral pressure on the device while guiding it over the workpiece.

Adjusting the rebating depth stop

The rebating depth stop serves to adjust the depth of the planing track on your workpiece.

Please proceed as follows to adjust the rebating depth stop:

1. Set the desired depth using the fastening screw (5) at the rebating depth stop (9).



Info

If you are using the rebating depth stop and the rip fence simultaneously, you can create steps with the desired depth (rebating depth stop) and width (rip fence).

Adjusting the chip ejector



Info

The function described below applies exclusively to the PPLS 10-750.

You can mount the chip ejector on the left or right-hand side of the device as needed.

The chip ejector is already preassembled.



Warning of hand injuries

Do not insert any limbs or objects into the chip ejector. Crushing hazard if handled without due care. Wear protective gloves!



Warning

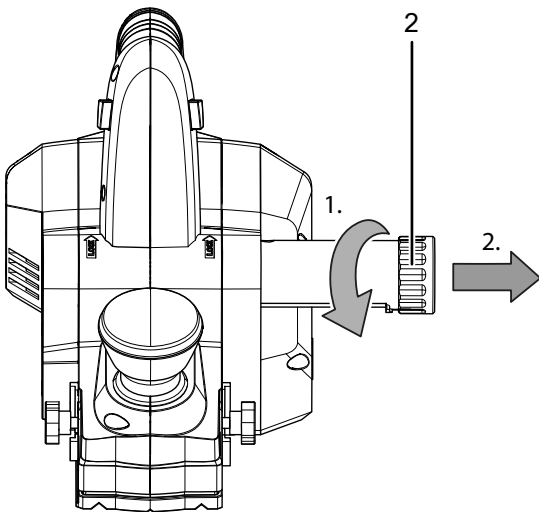
Toxic dusts!
The harmful / toxic dusts produced during operation pose of risk to the health of the operator and persons in the vicinity.



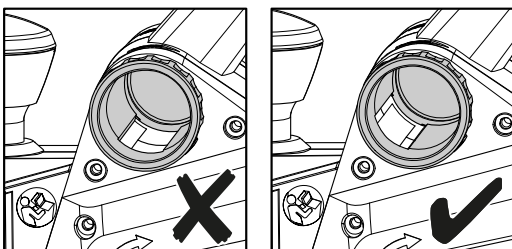
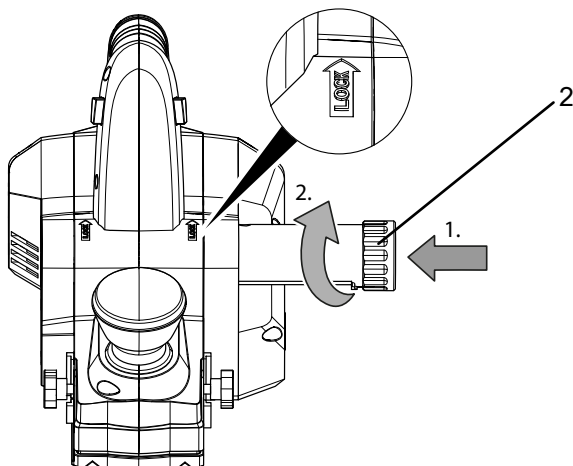
Wear eye protection and a dust mask!

Please proceed as follows to attach the chip ejector to the other side of the device:

1. Detach the chip ejector (2) by turning it in the opposite direction of the arrow (LOCK).
2. Pull the chip ejector out of the device (2).



3. Clean the chip ejector if necessary.
4. Slide the chip ejector into the device on the other side. Pay attention to the position of the opening at the device and of the notch at the chip ejector while doing so.
5. Lock the chip ejector (2) by turning it fully in the direction of the arrow (LOCK). The opening of the device and of the chip ejector must fit each other precisely so that all dust and chips produced will be discharged.



Connecting the power cable

1. Insert the mains plug into a properly secured mains socket.

Operation

Tips and notes on handling the planer

General information:

- At the beginning, only position the front part of the device on the workpiece.
- Only guide the part of the device where the cutting head is located against the workpiece after the device has been switched on.
- Guide the device over the workpiece in an even forward motion. Hold onto the device with both hands; one hand at the rotary knob (4) and the other one at the device handle (19). The front and rear base plate should fully rest on the workpiece.

Planing:

- Use sharp blades only. Worn blades can yield an uneven result.
- If you want to use the full planing width or process hard wood, we recommend choosing a small cutting depth and working with a slow forward motion.
- For a higher surface quality, we recommend applying the pressure on the centre of the device and working with a slow and even forward motion.

Using the lift-off device

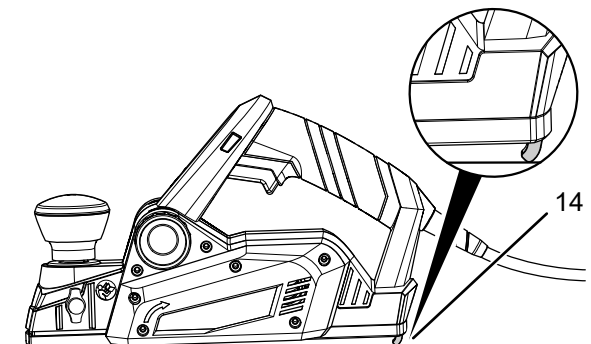
The lift-off device serves as an aid when putting the device down and for protecting the workpiece.

Note

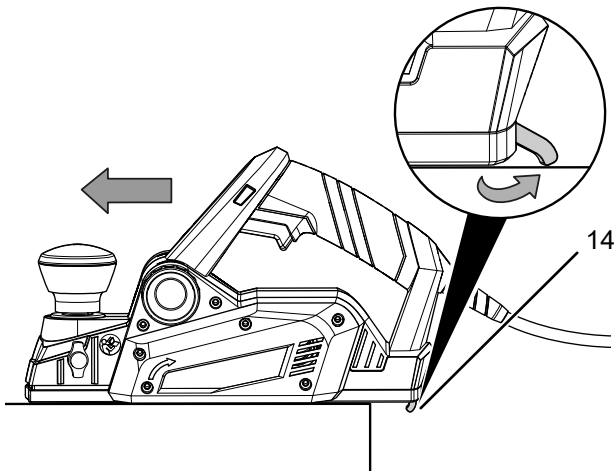
Never remove the lift-off device from the device. A missing lift-off device causes instability of the device and can damage the workpiece or device.

Please proceed as follows to use the lift-off device:

1. Make sure that the lift-off device (14) folds down when the device is lifted, and put the device down safely.



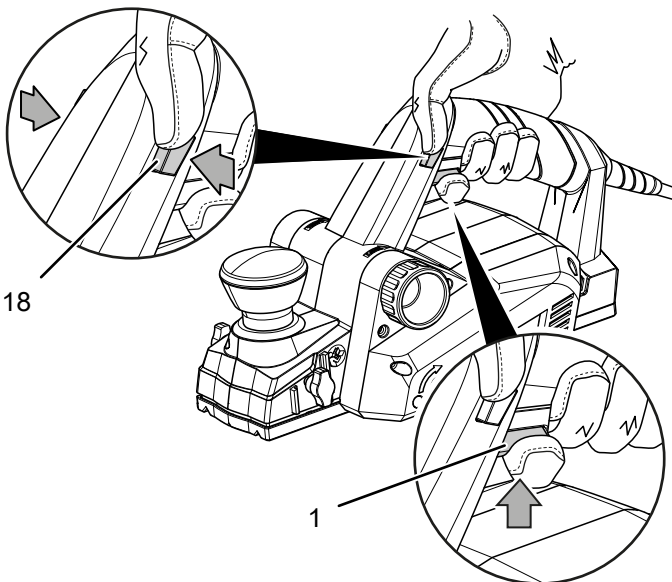
- If you want to continue working, first position the front base plate and, while advancing, bring the rear base plate into contact with the workpiece. The lift-off device (14) will automatically fold up.



Switching the device on and off

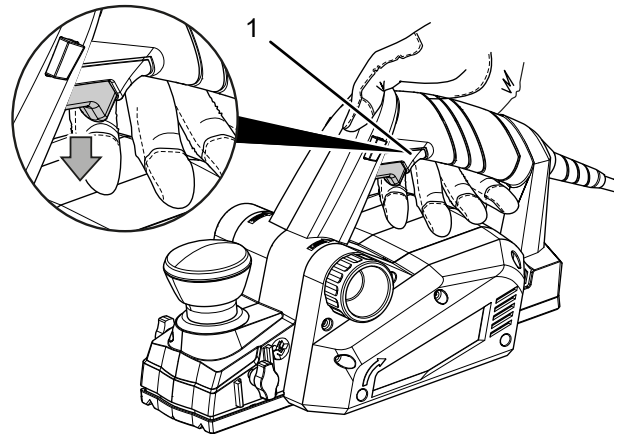
Wear your personal protective equipment when working with the device.

- Check whether the set cutting depth is suitable for the intended application.
- Check whether the workpiece is secured and the worktop prepared correspondingly.
- Position the front base plate on the workpiece.
- Press the start lock (18) to be able to actuate the on/off switch.
- Press the on/off switch (1) and hold it during operation.

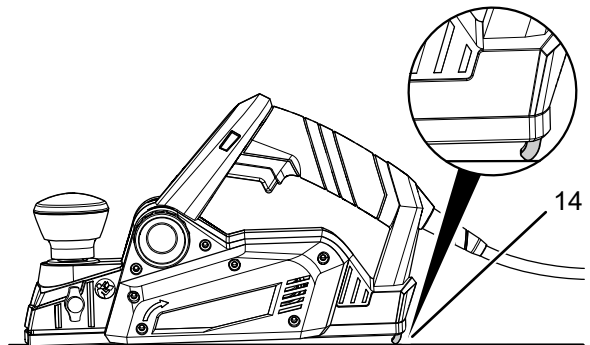


- Slowly guide the device along the workpiece while applying slight, even pressure.

- Let go of the on/off switch (1) to switch the device off. Please note that the cutting head continues running for a while.

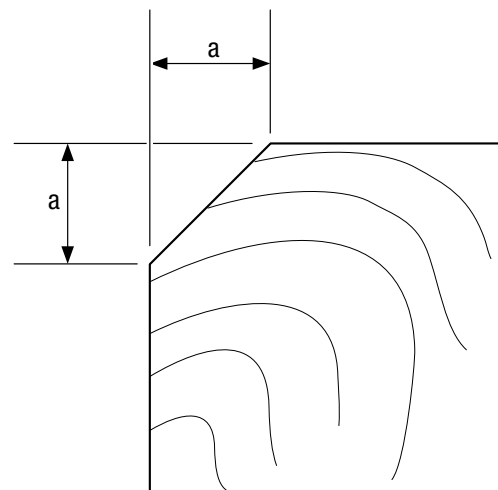


- Make sure that the lift-off device (14) folds down when the device is lifted, and put the device down safely.



Chamfering edges

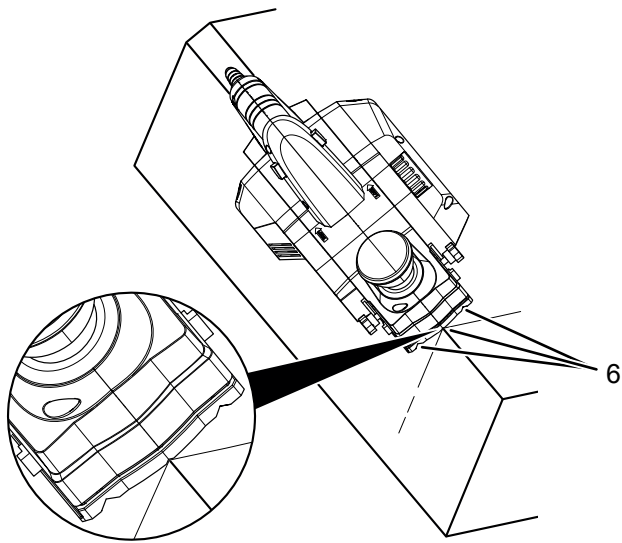
You can use the V grooves at the front base plate to chamfer edges. These grooves determine the width of the chamfer and additionally serve as a guide.



	PPLS 10-750	PPLS 10-800
Groove used	Measure a (mm)	Measure a (mm)
none	approx. 0 to 4	approx. 0 to 3.5
small	approx. 2 to 6	approx. 2 to 5.5
medium	approx. 4 to 9	approx. 2.5 to 6
large	approx. 6 to 10	approx. 4 to 7.5

Please proceed as follows to chamfer edges:

1. Position the front base plate on the edge of the workpiece with the desired V groove (6). Make sure that the device is positioned at an angle of 45° to the workpiece.



2. Guide the device along the edge while applying even pressure.

Connecting the dust extraction system

You can connect a vacuum cleaner to the device.



Info

The scope of delivery of the PPLS 10-750 also includes an adapter for dust extraction (10), which allows you to connect smaller pipe diameters.

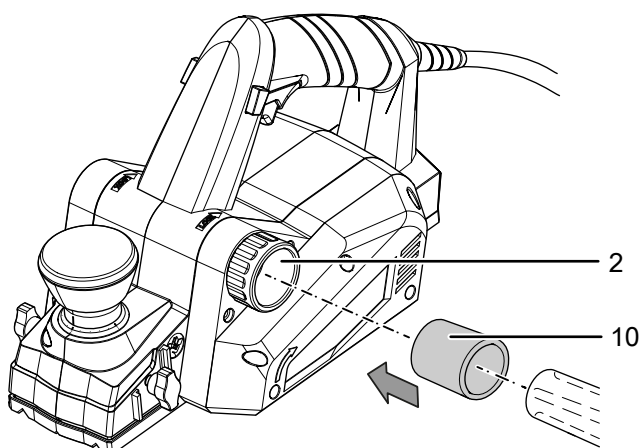


Caution

Use a special vacuum cleaner to suck off harmful or toxic materials.

Please proceed as follows to connect the dust extraction system:

1. If necessary, change the side of the chip ejection as described in chapter "Adjusting the chip ejection".
2. Connect a suitable vacuum cleaner (e.g. industrial vacuum cleaner) directly to the chip ejector (2).
3. If required, you can first connect the adapter for dust extraction (10) to the chip ejector (2) on the PPLS 10-750.



Connecting the dust bag



Info

The function described below applies to the PPLS 10-800 when it is used in combination with the dust bag (11) included in the scope of delivery. For the PPLS 10-750, this function is optional and can only be used if a suitable dust bag is connected.

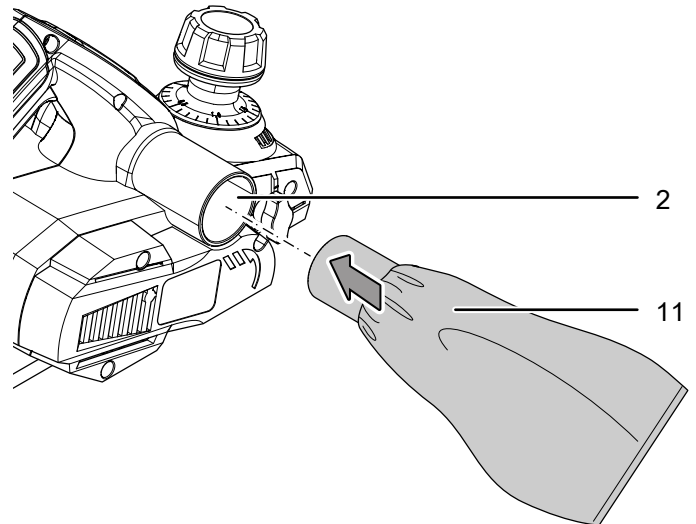


Info

If you want to use a dust bag for smaller scale work, make sure to empty it on a regular basis so that a sufficient amount of dust or chips can be taken in.

Use the dust bag (11) for the PPLS 10-800 or a suitable dust bag for the PPLS 10-750 as follows:

1. Insert the dust bag (11) firmly into the chip ejector (2).
2. Empty the dust bag (11) in due time to guarantee proper absorption of a sufficient amount of dust and chips.



Shutdown



Warning of electrical voltage

Do not touch the mains plug with wet or damp hands.

- Switch off the device.
- Hold onto the mains plug while pulling the power cable out of the mains socket.
- If required, allow the device to cool down.
- If attached, disconnect the dust extraction system from the device.
- Clean the device according to the Maintenance chapter.
- Store the device according to the Transport and storage chapter.

Errors and faults

The device has been checked for proper functioning several times during production. If malfunctions occur nonetheless, check the device according to the following list.

Troubleshooting tasks which require the housing to be opened must only be carried out by an authorized specialist electrical company or by Trotec.

Light smoke or odour is emitted during the first use:

- This is not a fault. These phenomena disappear after a brief runtime.

The device does not start:

- Check the power connection.
- Check the power cable and mains plug for damage. If you notice damages, do not try to take the device back into operation.

If the supply cord is damaged, it must be replaced by the manufacturer, its service agent or similarly qualified persons in order to avoid a hazard.

- Check the on-site fusing.



Info

Wait for at least 10 minutes before switching the device back on.

The device's performance decreases:

- Check for slippage between the cutting head and the motor. This indicates ageing of the drive belt. It must be exchanged. Contact the Trotec customer service.
- Check whether the blades are correctly inserted. If necessary, insert them correctly, see Tool change chapter.
- Check whether the blades are blunt and may have to be replaced, see Tool change chapter.
- Check whether the chip ejector is clogged. Clean it if necessary, see Cleaning chapter.

The planing result is not as desired:

- Check the cutting depth and adjust it if necessary.
- Check whether the chip ejector is clogged. Clean it if required.

The device becomes hot:

- Make sure not to exert too much pressure on the device during operation.
- Keep the venting slots clear to prevent the motor from overheating.
- Wait for at least 10 minutes before switching the device back on.

Note

Wait for at least 3 minutes after maintenance and repair work. Only then switch the device back on.

The device still does not operate correctly after these checks:

Please contact the customer service. If necessary, bring the device to an authorised specialist electrical company or to Trotec for repair.

Maintenance

Activities required before starting maintenance



Warning of electrical voltage

Do not touch the mains plug with wet or damp hands.

- Switch off the device.
- Hold onto the mains plug while pulling the power cable out of the mains socket.
- Allow the device to cool down completely.



Warning of electrical voltage

Maintenance tasks which require the housing to be opened must only be carried out by authorised specialist companies or by Trotec.

Notes on maintenance

Inside the device, there are no parts that need to be maintained or lubricated by the user.

Cleaning

The device should be cleaned before and after each use.

Note

The device does not have to be lubricated after cleaning.



Warning of electrical voltage

There is a risk of a short-circuit due to liquids penetrating the housing!

Do not immerse the device and the accessories in water. Make sure that no water or other liquids can enter the housing.

- Clean the device with a soft, damp and lint-free cloth. Make sure that no moisture enters the housing. Protect electrical components from moisture. Do not use any aggressive cleaning agents such as cleaning sprays, solvents, alcohol-based or abrasive cleaners to dampen the cloth.
- Dry the device with a soft, lint-free cloth.
- Keep the ventilation openings free from dust deposits to prevent overheating of the motor.
- Remove dust and chips from the chip ejector. If the chip ejector is blocked, clean it with suitable means (e.g. compressed air).
- Remove dust and chips from the dust bag.
- Clean the lift-off device regularly to make sure that it moves freely.

Tool change



Warning of electrical voltage

Before any work on the device, remove the mains plug from the mains socket!

Do not touch the mains plug with wet or damp hands. Hold onto the mains plug while pulling the power cable out of the mains socket.



Warning of hand injuries

Crushing hazard near cutting head and base plate if handled without due care.

Wear protective gloves!



Warning of sharp object

Blades have sharp cutting edges. Risk of injury from cuts if handled without due care.

Wear protective gloves!



Info

Always replace the blades in pairs.

The blades have 2 cutting edges each and can be turned over when one of them is worn. If both cutting edges are worn, the blades must be replaced with new ones.



Info

The blades must not be sharpened!

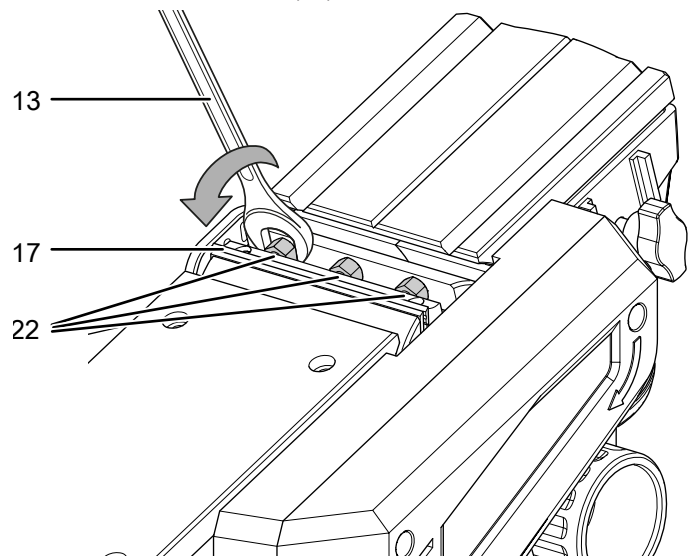


Info

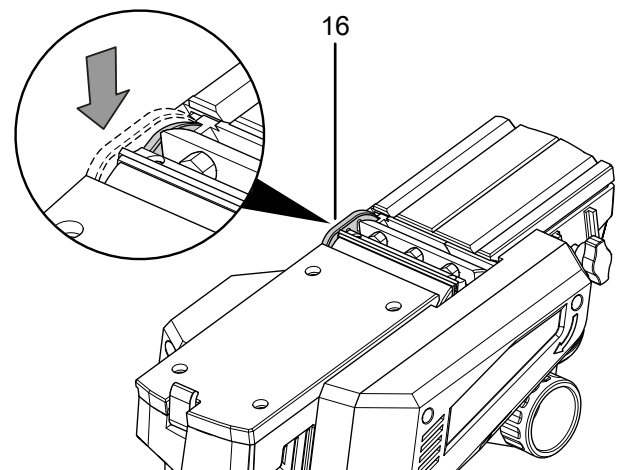
The hexagonal bolts must not be loosened! The Allen wrench only serves to adjust the height of the tension element if you want to insert another type of blades.

Please proceed as follows to turn over or change the blades:

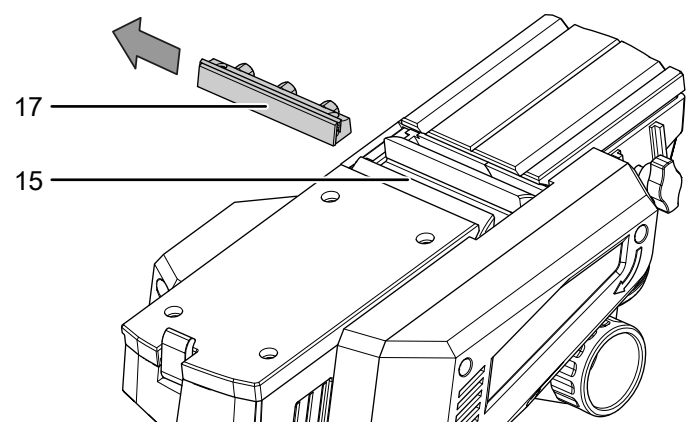
1. Use the open-end wrench (13) to loosen the 3 nuts (22) at the tension element (17).



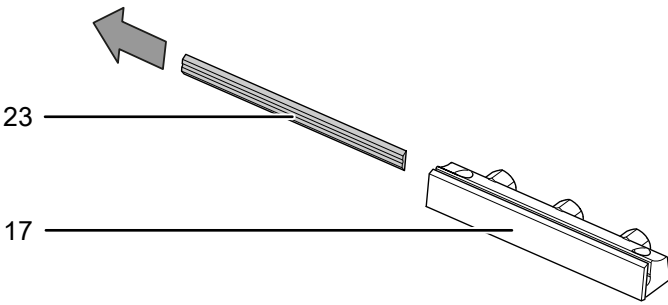
2. Slide the protective cover (16) of the cutting head back and hold it in place.



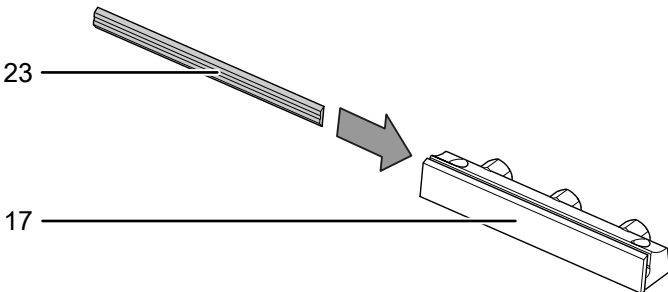
3. Slide the tension element (17) sideways out of the cutting head (15).



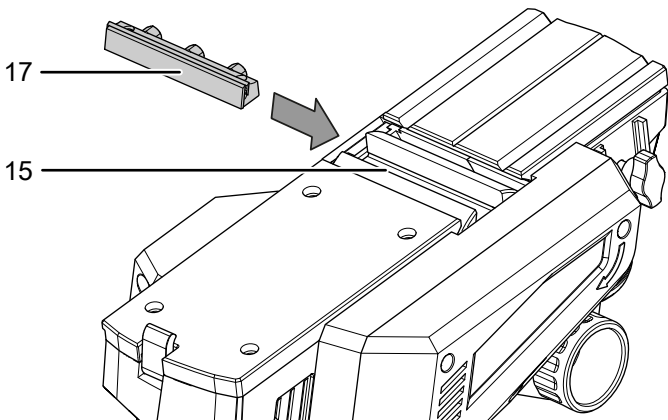
4. Use a suitable tool to carefully slide the blade (23) out of the tension element (17).



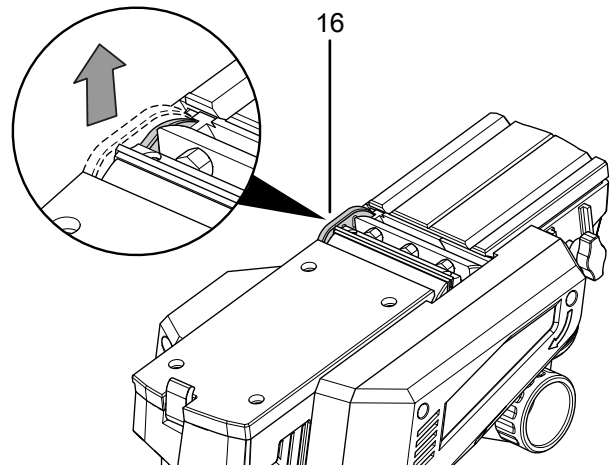
5. If required, clean the tension element and the blade with a dry, lint-free cloth or a brush.
6. Turn the blade over or replace it.
7. Carefully slide the blade (23) into the tension element (17).



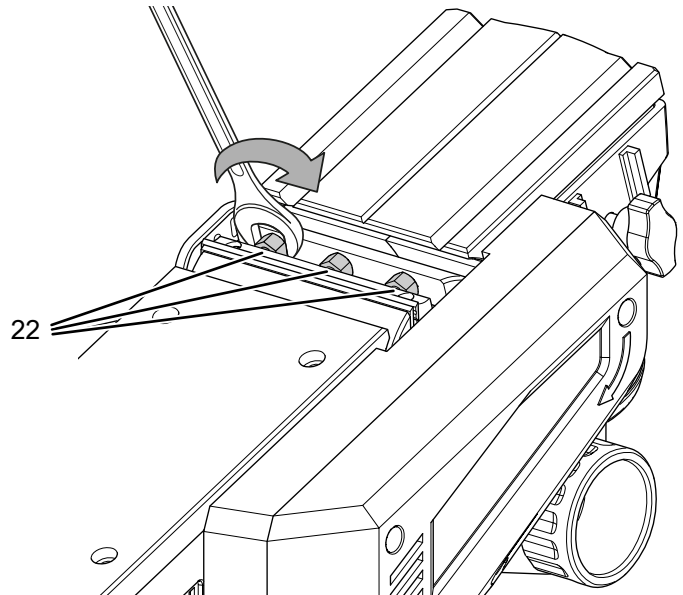
8. Slide the protective cover (16) of the cutting head back and hold it in place.
9. Slide the tension element (17) into the cutting head (15). Make sure that the cutting edge is correctly aligned.



10. Bring the protective cover (16) of the cutting head into the correct position by letting go of it.



11. Retighten the 3 nuts (22) at the tension element.



12. Turn the cutting head (15) by 180° and repeat the procedure with the other tension element.

Disposal



The icon with the crossed-out waste bin on waste electrical or electronic equipment stipulates that this equipment must not be disposed of with the household waste at the end of its life. You will find collection points for free return of waste electrical and electronic equipment in your vicinity. The addresses can be obtained from your municipality or local administration. You can also find out about other return options that apply for many EU countries on the website <https://hub.trotec.com/?id=45090>. Otherwise, please contact an official recycling centre for electronic and electrical equipment authorised for your country.

The separate collection of waste electrical and electronic equipment aims to enable the re-use, recycling and other forms of recovery of waste equipment as well as to prevent negative effects for the environment and human health caused by the disposal of hazardous substances potentially contained in the equipment.

Declaration of conformity

Declaration of conformity in accordance with the EC Machinery Directive 2006/42/EC, Annex II, Part 1, Section A

We – Trotec GmbH – declare in sole responsibility that the product designated below was developed, constructed and produced in compliance with the requirements of the EC Machinery Directive in the version 2006/42/EC.

Product model / Product: PPLS 10-750
PPLS 10-800

Product type: planer

Year of manufacture as of: 2021

Relevant EU directives:

- 2011/65/EU: 01/07/ 2011
- 2012/19/EU: 24/07/2012
- 2014/30/EU: 29/03/2014
- 2015/863/EU: 31/03/2015

Applied harmonised standards:

- EN 55014-1:2017
- EN 62841-1:2015
- EN 62841-2-14:2015

Applied national standards and technical specifications:

- EN 55014-2:2015
- EN 61000-3-3:2013/A1:2019
- EN IEC 61000-3-2:2019

Manufacturer and name of the authorised representative of the technical documentation:

Trotec GmbH
Grebbeener Straße 7, D-52525 Heinsberg
Phone: +49 2452 962-400
E-mail: info@trotec.de

Place and date of issue:

Heinsberg, 26.08.2021



Detlef von der Lieck, Managing Director

Trotec GmbH

Grebener Str. 7
D-52525 Heinsberg

☎ +49 2452 962-400

☎ +49 2452 962-200

✉ info@trotec.com

www.trotec.com