

EN

ORIGINAL INSTRUCTIONS
BELT SANDER



Table of contents

Notes regarding the instructions 2

Safety 3

Information about the device 7

Transport and storage 8

Start-up 9

Operation 12

Errors and faults 15


Maintenance 15


Disposal 17


Declaration of conformity 17


Notes regarding the instructions

Symbols


 **Warning of electrical voltage**
This symbol indicates dangers to the life and health of persons due to electrical voltage.


 **Warning of explosive substances**
This symbol indicates dangers to the life and health of persons due to potentially explosive substances.


 **Warning of hot surface**
This symbol indicates dangers to the life and health of persons due to hot surface.

 **Warning of sharp object**
This symbol indicates dangers to the life and health of persons due to pointed objects.


 **Warning of hand injuries**
This symbol indicates dangers to the health of persons due to hand injuries.


 **Warning**
This signal word indicates a hazard with an average risk level which, if not avoided, can result in serious injury or death.

 **Caution**
This signal word indicates a hazard with a low risk level which, if not avoided, can result in minor or moderate injury.


 **Not permissible for wet grinding**
Information marked with this symbol indicates that wet grinding is prohibited.


Note
This signal word indicates important information (e.g. material damage), but does not indicate hazards.


 **Info**
Information marked with this symbol helps you to carry out your tasks quickly and safely.


 **Follow the manual**
Information marked with this symbol indicates that the instructions must be observed.

 **Wear hearing protection**
Information marked with this symbol indicates that you should wear hearing protection.

 **Wear safety glasses**
Information marked with this symbol indicates that you should wear eye protection.

 **Wear a protective mask**
Information marked with this symbol indicates that you should wear a protective mask.

 **Wear protective clothing**
Information marked with this symbol indicates that you should wear protective clothing.

 **Wear protective gloves**
Information marked with this symbol indicates that you should wear protective gloves.

You can download the current version of the instructions and the EU declaration of conformity via the following link:



PBSS 10-600



<https://hub.trotec.com/?id=41159>

Safety

General Power Tool Safety Warnings



Warning

Read all safety warnings, instructions, illustrations and specifications provided with this power tool.

Failure to follow all instructions listed below may result in electric shock, fire and/or serious injury.

Save all warnings and instructions for future reference.

The term *power tool* in the warnings refers to your mains-operated (corded) power tool or battery-operated (cordless) power tool.



General Power Tool Safety Warnings – Work area safety

- **Keep work area clean and well lit.** Clutter or dark areas invite accidents.
- **Do not operate power tools in explosive atmosphere, such as in the presence of flammable liquids, gases or dust.** Power tools create sparks which may ignite the dust or fumes.
- **Keep children and bystanders away while operating a power tool.** Distractions can cause you to lose control.



General Power Tool Safety Warnings – Electrical safety

- **Power tool plugs must match the outlet. Never modify the plug in any way. Do not use any adapter plugs with earthed (grounded) power tools.** Unmodified plugs and matching outlets will reduce risk of electric shock.
- **Avoid body contact with earthed or grounded surfaces, such as pipes, radiators, ranges and refrigerators.** There is an increased risk of electric shock if your body is earthed or grounded.
- **Do not expose power tools to rain or wet conditions.** Water entering a power tool will increase the risk of electric shock.
- **Do not abuse the cord. Never use the cord for carrying, pulling or unplugging the power tool. Keep cord away from heat, oil, sharp edges or moving parts.** Damaged or entangled cords increase the risk of electric shock.
- **When operating a power tool outdoors, use an extension cord suitable for outdoor use.** Use of a cord suitable for outdoor use reduces the risk of electric shock.
- **If operating a power tool in a damp location is unavoidable, use a residual current device (RCD) protected supply.** Use of an RCD reduces the risk of electric shock.



General Power Tool Safety Warnings – Personal safety

- **Stay alert, watch what you are doing and use common sense when operating a power tool. Do not use a power tool while you are tired or under the influence of drugs, alcohol or medication.** A moment of inattention while operating power tools may result in serious personal injury.



Use personal protective equipment. Always

wear eye protection. Protective equipment such as a dust mask, non-skid safety shoes, hard hat or hearing protection used for appropriate conditions will reduce personal injuries.



- **Prevent unintentional starting. Ensure the switch is in the off-position before connecting to power source and/or battery pack, picking up or carrying the tool.** Carrying power tools with your finger on the switch or energising power tools that have the switch on invites accidents.
- **Remove any adjusting key or wrench before turning the power tool on.** A wrench or a key left attached to a rotating part of the power tool may result in personal injury.
- **Do not overreach. Keep proper footing and balance at all times.** This enables better control of the power tool in unexpected situation.
- **Dress properly. Do not wear loose clothing or jewellery. Keep your hair and clothing away from moving parts.** Loose clothes, jewellery or long hair can be caught in moving parts.
- **If devices are provided for the connection of dust extraction and collection facilities, ensure these are connected and properly used.** Use of dust collection can reduce dust-related hazards.
- **Do not let familiarity gained from frequent use of tools allow you to become complacent and ignore tool safety principles.** A careless action can cause severe injury within a fraction of a second.



General Power Tool Safety Warnings – Power tool use and care

- **Do not force the power tool. Use the correct power tool for your application.** The correct power tool will do the job better and safer at the rate for which it was designed.
- **Do not use the power tool if the switch does not turn it on and off.** Any power tool that cannot be controlled with the switch is dangerous and must be repaired.

- **Disconnect the plug from the power source and/or remove the battery pack, if detachable, from the power tool before making any adjustments, changing accessories, or storing power tools.** Such preventive safety measures reduce the risk of starting the power tool accidentally.
- **Store idle power tools out of the reach of children and do not allow persons unfamiliar with the power tool or these instructions to operate the power tool.** Power tools are dangerous in the hands of untrained users.
- **Maintain power tools and accessories. Check for misalignment or binding of moving parts, breakage of parts and any other condition that may affect the power tool's operation. If damaged, have the power tool repaired before use.** Many accidents are caused by poorly maintained power tools.
- **Keep cutting tools sharp and clean.** Properly maintained cutting tools with sharp cutting edges are less likely to bind and are easier to control.
- **Use the power tool, accessories and tool bits etc. in accordance with these instructions, taking into account the working conditions and the work to be performed.** Use of the power tool for operations different from those intended could result in a hazardous situation.
- **Keep handles and grasping surfaces dry, clean and free from oil and grease.** Slippery handles and grasping surfaces do not allow for safe handling and control of the tool in unexpected situations.



General Power Tool Safety Warnings – Service

- **Have your power tool serviced by a qualified repair person using only identical replacement parts.** This will ensure that the safety of the power tool is maintained.



Safety Warnings for Grinding

- **This power tool is intended to function as a grinder.** Read all safety warnings, instructions, illustrations and specifications provided with this power tool. Failure to follow all instructions listed below may result in electric shock, fire and / or serious injury.
- **Do not use accessories which are not specifically designed and recommended by the tool manufacturer.** Just because the accessory can be attached to your power tool, it does not assure safe operation.
- **The rated speed of the accessory must be at least equal to the maximum speed marked on the power tool.** Accessories running faster than their rated speed can break and fly apart.
- **The outside diameter and the thickness of your accessory must be within the capacity rating of your power tool.** Incorrectly sized accessories cannot be adequately guarded or controlled.
- **Do not use a damaged accessory. Before each use inspect the accessory such as abrasive wheels for chips and cracks, backing pads and abrasive belts for cracks, tear or excess wear, wire brushes for loose or cracked wires. If power tool or accessory is dropped, inspect for damage or install an undamaged accessory. After inspecting and installing an accessory, position yourself and bystanders away from the plane of the rotating accessory and run the power tool at maximum no-load speed for one minute.** Damaged accessories will normally break apart during this test time.
- **Wear personal protective equipment. Depending on application, use face shield, safety goggles or safety glasses. As appropriate, wear dust mask, hearing protectors, gloves and workshop apron capable of stopping small abrasive or workpiece fragments.** The eye protection must be capable of stopping flying debris generated by various operations. The dust mask or respirator must be capable of filtering particles generated by your operation. Prolonged exposure to high intensity noise may cause hearing loss.
- **Keep bystanders a safe distance away from work area. Anyone entering the work area must wear personal protective equipment.** Fragments of workpiece or of a broken accessory may fly away and cause injury beyond immediate area of operation.
- **Hold the power tool by insulated gripping surfaces only, when performing an operation where the cutting accessory may contact hidden wiring or its own cord.** Contacting a live wire might energize exposed metal parts of the device and lead to an electric shock.
- **Position the cord clear of the spinning accessory.** If you lose control, the cord may be cut or snagged and your hand or arm may be pulled into the spinning accessory.
- **Never lay the power tool down until the accessory has come to a complete stop.** The spinning accessory may grab the surface and pull the power tool out of your control.
- **Do not run the power tool while carrying it at your side.** Accidental contact with the spinning accessory could snag your clothing, pulling the accessory into your body.
- **Regularly clean the power tool's air vents.** The motor's fan will draw the dust inside the housing and excessive accumulation of powdered metal may cause electrical hazards.

- **Do not operate the power tool near flammable materials.** Sparks could ignite these materials.
- **Only use the power tool for dry sanding.** Water entering an electrical appliance increases the risk of electric shock.
- **Hold the power tool by the insulated gripping surfaces, as the grinding surface could hit the connecting cable.** Damaging a live wire might energize metal parts of the power tool and lead to an electric shock.
- **Secure the workpiece.** The grip of tensioning devices or a vice is more secure than holding the workpiece only by hand.
- **During operation hold onto the power tool with both hands.** Make sure that you stand firmly on the ground. It is safer to handle the power tool with two hands.
- **Never touch the abrasive belt while it is in motion.** Risk of injury.
- **Do not use worn, torn or heavily contaminated abrasive belts.** Damaged abrasive belts can be torn apart, catapulted away and so lead to personal injury.
- **For processing wood, or in particular materials that produce harmful dusts when sanded, connect the power tool to an appropriate external exhaust system.**
- **Only hold the power tool against the workpiece when the tool is switched on and running. If you are finished with processing the workpiece, lift the power tool off the workpiece before you switch it off.**
- **Make sure that nobody's safety is jeopardized by flying sparks. Remove combustible materials from the working environment.** Grinding metal causes sparks to fly.
- **Using a power tool that comes equipped with a dust collector or can be connected to the vacuum cleaner by means of a dust extraction device involves a fire hazard.** In unfavourable conditions – e.g. in case of flying sparks caused by grinding metal or metal remainders in wood – the wood dust inside the dust collector (or in the vacuum cleaner's dust collection bag) might self-ignite. The risk is particularly high when the wood dust is mixed with paint residues or other chemical substances and the sanding material is hot after a longer period of work. Therefore, avoid overheating of the workpiece and of the power tool at all times and empty the dust collector or the vacuum cleaner's dust bag before taking work breaks.
- **Do not use the dust extraction system when grinding metals.**
- **Ensure sufficient ventilation.**

Intended use

Only use the device PBSS 10-600 for the dry surface-grinding of wood, plastic, metal, spackle and painted surfaces whilst adhering to the technical data.

The device must only be used for dry sanding.

We recommend using the power tool with original Trotec accessories.

Foreseeable misuse

The device PBSS 10-600 is not intended for processing moist materials.

Any other use than the one described in the chapter "Intended use" is regarded as reasonably foreseeable misuse.

Personnel qualifications

People who use this device must:

- have read and understood the instructions, especially the Safety chapter.

Personal protective equipment



Wear hearing protection.

Excessive noise can lead to hearing loss.



Wear eye protection.

With it you protect your eyes from splintering, falling and flying pieces which could cause injuries.



Wear a protective mask.

It saves you from inhaling harmful dusts generated when processing workpieces.



Wear protective gloves.

They protect your hands from burns, crushing injuries and skin abrasions.



Wear tight-fitting protective clothing.

This protects you from the draw-in and entanglement hazard posed by rotating parts.

Residual risks



Warning of electrical voltage

Electric shock from insufficient insulation.
Check the device for damages and proper functioning before each use.
If you notice damages, no longer use the device.
Do not use the device when the device or your hands are damp or wet!



Warning of electrical voltage

Work on the electrical components must only be carried out by an authorised specialist company!



Warning of electrical voltage

Before any work on the device, remove the mains plug from the mains socket!
Do not touch the mains plug with wet or damp hands.
Hold onto the mains plug while pulling the power cable out of the mains socket.



Warning of electrical voltage

There is a risk of a short-circuit due to liquids penetrating the housing!
Do not immerse the device and the accessories in water. Make sure that no water or other liquids can enter the housing.



Warning of explosive substances

Fine dust produced during grinding is highly flammable. Risk of fire and explosion!
Use a dust or chip bag or a dust extraction system for collecting the produced dusts.
Empty the dust collector before taking work breaks.



Warning of explosive substances

Wood dust inside the dust collector can self-ignite in case of flying sparks. Do not use the dust extraction system when grinding metals!
Wood dust can intermix with varnish residues or other chemical substances.
Risk of fire and explosion!
Avoid overheating of the workpiece and the device.
Empty the dust collector or the vacuum cleaner's dust collection bag at regular intervals.



Warning of hot surface



The insertion tool might still be hot after the application. Burn hazard when touching the insertion tool.
Do not touch the insertion tool bare-handed!
Wear protective gloves!



Warning

Toxic dusts!
The harmful / toxic dusts produced during operation pose of risk to the health of the operator and persons in the vicinity.
Wear eye protection and a dust mask!



Warning

Do not process materials containing asbestos. Asbestos is considered carcinogenic.



Warning

Risk of injuries caused by flying parts.
Use a dust or chip bag or a dust extraction system.



Warning

Dangers can occur at the device when it is used by untrained people in an unprofessional or improper way!
Observe the personnel qualifications!



Warning

The device is not a toy and does not belong in the hands of children.



Warning

Risk of suffocation!
Do not leave the packaging lying around. Children may use it as a dangerous toy.



Caution

Vibration emissions can cause a health hazard if the device is used for an extended period of time or if it is not properly handled and maintained.



Caution

Keep a sufficient distance from heat sources.

Note

If you store or transport the device improperly, the device may be damaged.
Note the information regarding transport and storage of the device.

Behaviour in the event of an emergency / emergency stop function

Emergency stop:

Removing the mains plug from the mains socket results in the function of the device immediately stopping. In order to secure the device against accidental switch-on, leave the mains plug disconnected.

Behaviour in the event of an emergency:

1. Switch the device off.
2. In an emergency, disconnect the device from the mains feed-in: Hold onto the mains plug while pulling the power cable out of the mains socket.
3. Do not reconnect a defective device to the mains.

Information about the device

Device description

The device PBSS 10-600 is a belt sander for dry sanding. Possible applications comprise sanding, sharpening, smoothing, stripping, deburring and derusting of wooden surfaces, plastic, metal and steel.

The device is fitted with a 600 W motor and with a locking switch for continuous operation.

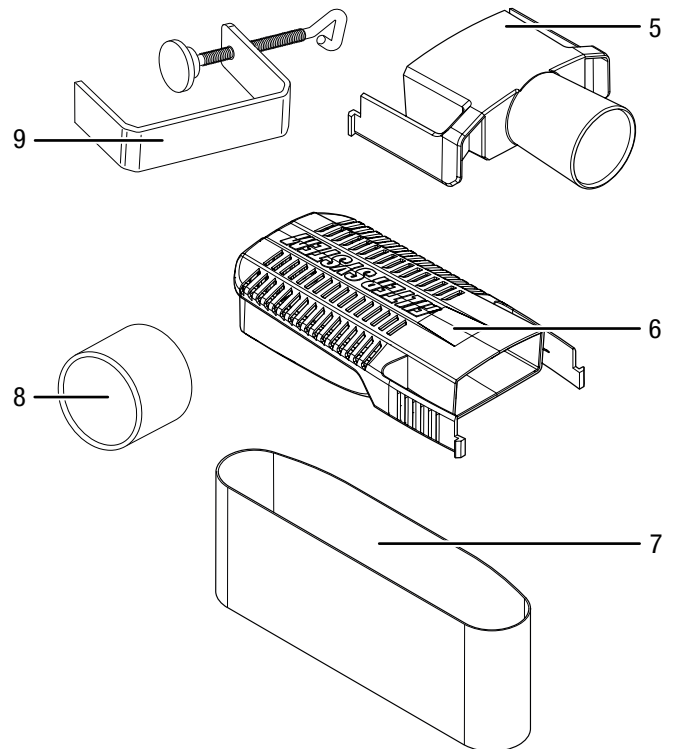
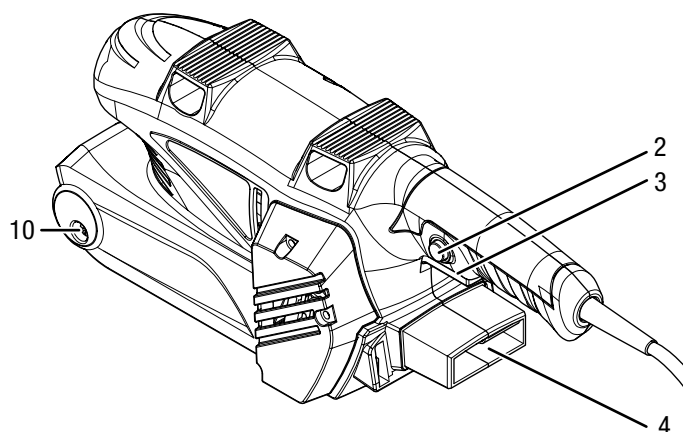
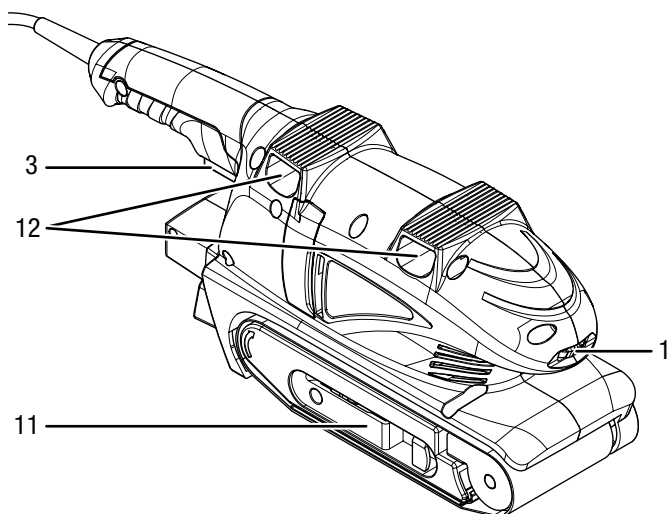
For material-compatible working, the belt speed can be steplessly adjusted within a range of 170 m/min to 250 m/min by means of the setting wheel.

The device is suitable for both mobile and stationary operation. For stationary operation use the retaining brackets included in the scope of delivery. Stationary operation is particularly useful for the continuous application.

The tool-free clamping system permits a simple abrasive belt change.

A clean working environment can be accomplished by use of the dust collector and the adapter for external dust extraction.

Device depiction




| No. | Designation |
|-----|----------------------------------------|
| 1 | Setting wheel for belt speed selection |
| 2 | Locking switch for on/off switch |
| 3 | On/off switch |
| 4 | Adapter connection |
| 5 | Adapter for external dust extraction |
| 6 | Dust collector |
| 7 | Abrasive belt |
| 8 | Reducer |
| 9 | Retaining bracket |
| 10 | Adjusting screw for belt run |
| 11 | Locking lever for the abrasive belt |
| 12 | Fixture for retaining brackets |

Scope of delivery

- 1 x Device PBSS 10-600
- 1 x Adapter for external dust extraction
- 1 x Dust collector
- 1 x Reducer
- 2 x Retaining bracket
- 1 x Abrasive belt for wood, grain size: 80, dimensions: 75 x 457 mm
- 1 x Manual

Technical data

| Parameter | Value |
|----------------------------------------------------------|------------------------------------------------------------------------------------------------------------|
| Model | PBSS 10-600 |
| Mains connection | 230 – 240 V / 50 Hz |
| Power input | 600 W |
| Belt speed | 170 – 250 m/min |
| Idle speed | 1,450 – 2,120 rpm |
| Dimensions of the abrasive belt (width x length) | 75 x 457 mm |
| Grinding surface | 75 x 130 mm |
| Cable length | 4 m |
| Protection class | II (double insulation) /  |
| Weight | 2 kg |
| Vibration information according to EN 62841--2--4 | |
| Vibration emission value main handle a_h | 1.863 m/s ² |
| Vibration emission value front handle a_h | 2.399 m/s ² |
| Uncertainty K | 1.5 m/s ² |
| Sound values according to EN 62841--2--4 | |
| Sound pressure level L_{pA} | 88.6 dB (A) |
| Sound power L_{WA} | 99.6 dB (A) |
| Uncertainty K | 3 dB |



Wear hearing protection.

Excessive noise can lead to hearing loss.

Information on noise and vibration:

- The specified total vibration **and noise emission values** were measured by means of a test procedure standardized in EN 62841 and can be consulted for the comparison of one power tool with another.
- The specified total vibration **and noise emission values** can also be used for preliminary load assessment.



Caution

Vibration emissions can cause a health hazard if the device is used for an extended period of time or if it is not properly handled and maintained.

- The actual vibration **and noise emission** may differ from the stated values during operation of the power tool. This depends on how the power tool is used and especially on the type of workpiece being processed. Try to keep the vibration load to a minimum. Exemplary measures for reducing the vibration load include wearing gloves during operation of the tool and the limitation of working hours. All parts of an operating cycle must be considered for this (e.g. times at which the power tool is switched off and times when it is switched on but runs without load).

Transport and storage

Note

If you store or transport the device improperly, the device may be damaged.

Note the information regarding transport and storage of the device.

Transport

Before transporting the device, observe the following:

- Switch off the device.
- Hold onto the mains plug while pulling the power cable out of the mains socket.
- Allow the device to cool down.
- If attached, disconnect the dust extraction system from the device.

Storage

Before storing the device, observe the following:

- Switch off the device.
- Hold onto the mains plug while pulling the power cable out of the mains socket.
- Allow the device to cool down.
- If attached, disconnect the dust extraction system from the device.
- Clean the device as described in the Maintenance chapter.

When the device is not being used, observe the following storage conditions:

- Dry and protected from frost and heat
- Ambient temperature below 45 °C
- protected from dust and direct sunlight

Start-up

Unpacking the device

- Take the device and the accessories out of the packaging.



Warning of electrical voltage

Electric shock from insufficient insulation.
Check the device for damages and proper functioning before each use.

If you notice damages, no longer use the device.

Do not use the device when the device or your hands are damp or wet!

- Check the scope of delivery for completeness and look for damages.



Warning

Risk of suffocation!

Do not leave the packaging lying around. Children may use it as a dangerous toy.

- Dispose of the packaging material according to the national regulations.

Changing the abrasive belt



Warning of electrical voltage

Before any work on the device, remove the mains plug from the mains socket!

Do not touch the mains plug with wet or damp hands.

Hold onto the mains plug while pulling the power cable out of the mains socket.

Note

Observe the abrasive belt's movement direction.
Make sure to exchange the abrasive belt in due time.
Otherwise the abrasive belt might tear and cause damage to the workpiece.

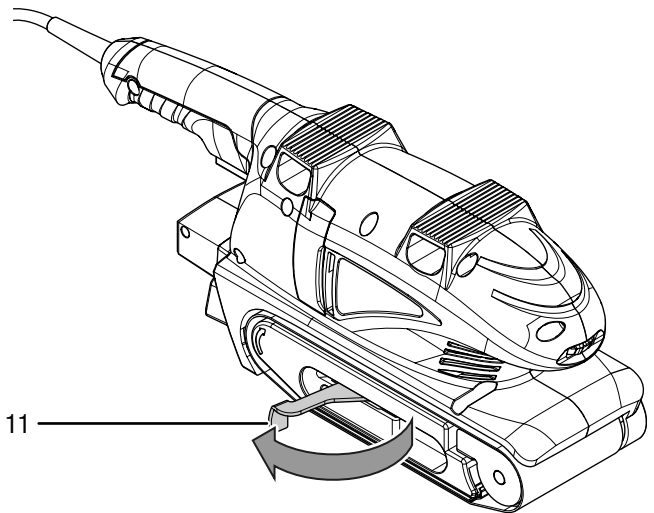
Note

The abrasive belt must not be kinked.

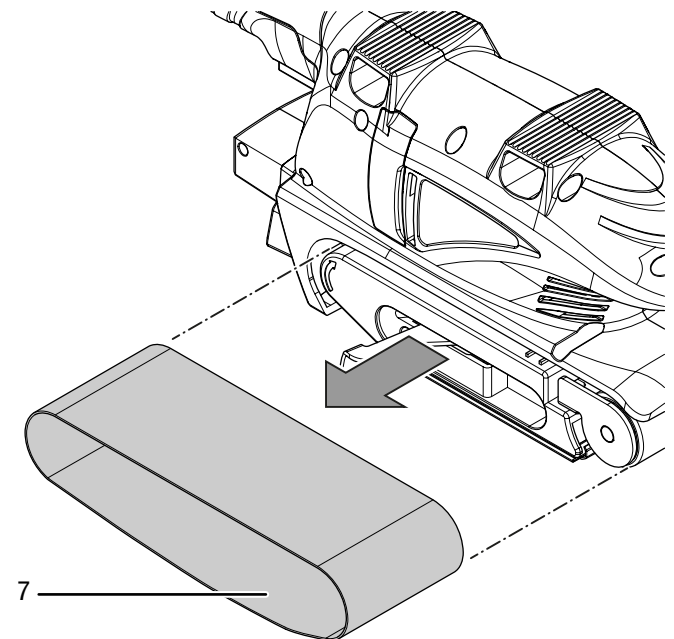
The abrasive belt is preassembled.

The abrasive belt can be exchanged for processing different materials. Moreover available are different grain sizes for coarse to fine sanding. It might be necessary to adjust the speed of rotation / belt speed according to the new abrasive belt.

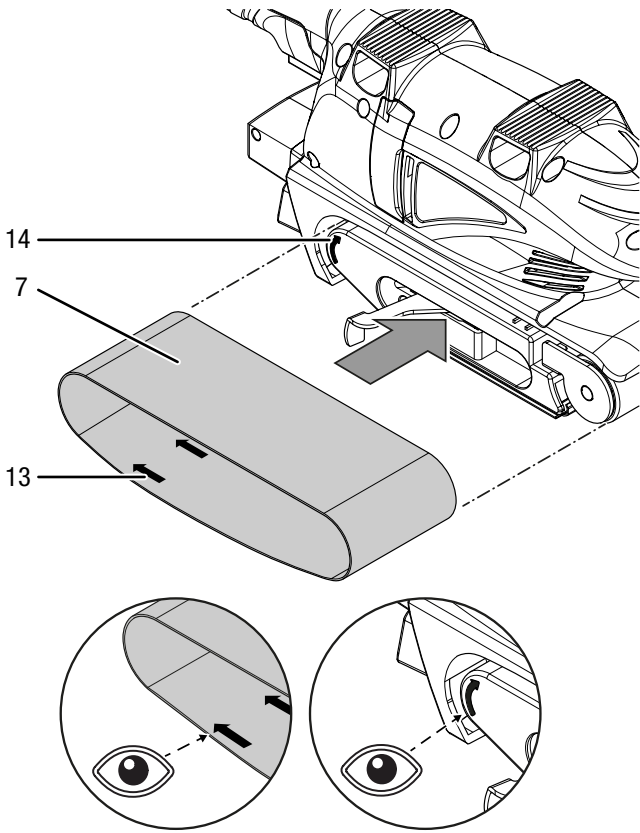
1. Open the locking lever (11) for the abrasive belt.
⇒ The abrasive belt is now loosened.



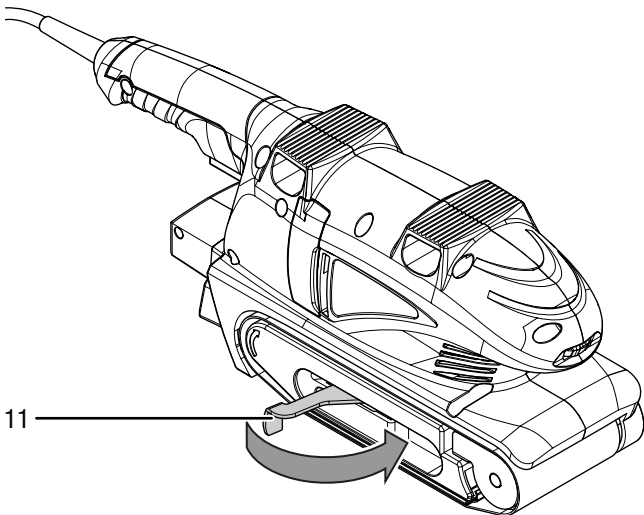
2. Remove the old abrasive belt (7) from the device.



- Slide on a new abrasive belt (7). Be sure to match the direction of the arrow indicated inside the abrasive belt (13) and at the device (14).



- Close the locking lever (11).



- Switch the device on. Upon switch-on the belt run is automatically centred. If not, the belt run may have to be adjusted manually using the adjusting screw (10).

Adjusting the belt run

Note

Make sure that the abrasive belt does not grind into the housing.

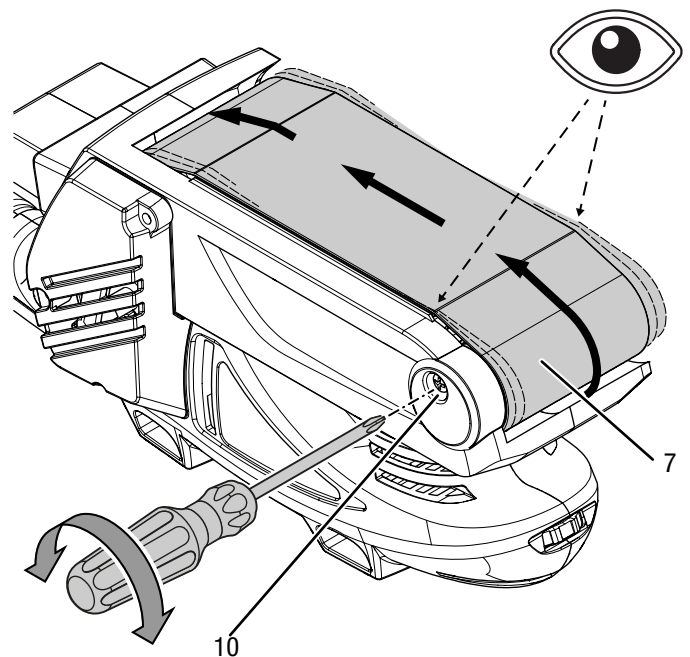
Regular check the belt run for its proper positioning and, if necessary, adjust it by means of the adjusting screw.

If the belt run is not centred after switch-on, the belt run may have to be adjusted manually.

Use tools suitable for the intended task.

Proceed as follows:

- Keep turning the adjusting screw (10) located at the front roller until the abrasive belt (7) runs centrally.



⇒ If the belt run is still not centred after the adjustment, the abrasive belt (7) needs to be replaced.

Assembling the dust collector



Warning of explosive substances

Wood dust inside the dust collector can self-ignite in case of flying sparks. Do not use the dust extraction system when grinding metals!

Wood dust can intermix with varnish residues or other chemical substances.

Risk of fire and explosion!

Avoid overheating of the workpiece and the device.

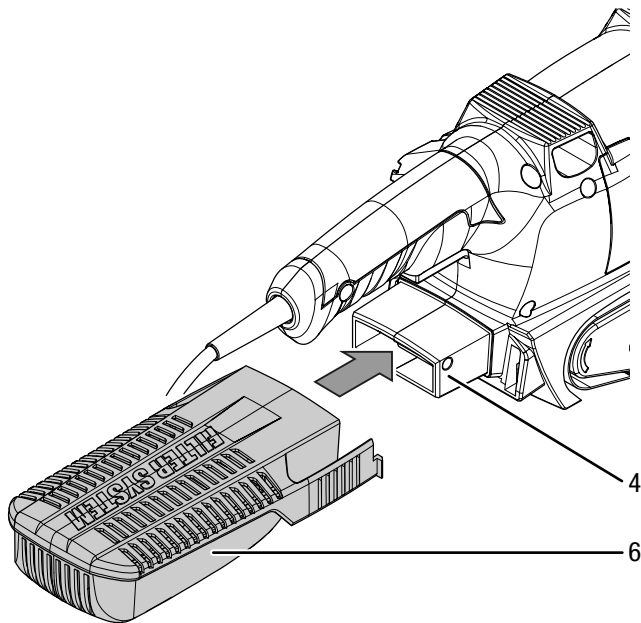
Empty the dust collector or the vacuum cleaner's dust collection bag at regular intervals.



Wear a protective mask

Wear an appropriate protective mask when working with the device.

1. Push the dust collector (6) onto the adapter connection (4).
The dust collector (6) must click into place at the device.



Mounting the external dust extraction system

Alternatively, you can also connect the dust extraction system to the device.



Warning of explosive substances

Wood dust inside the dust collector can self-ignite in case of flying sparks. Do not use the dust extraction system when grinding metals!

Wood dust can intermix with varnish residues or other chemical substances.

Risk of fire and explosion!

Avoid overheating of the workpiece and the device.

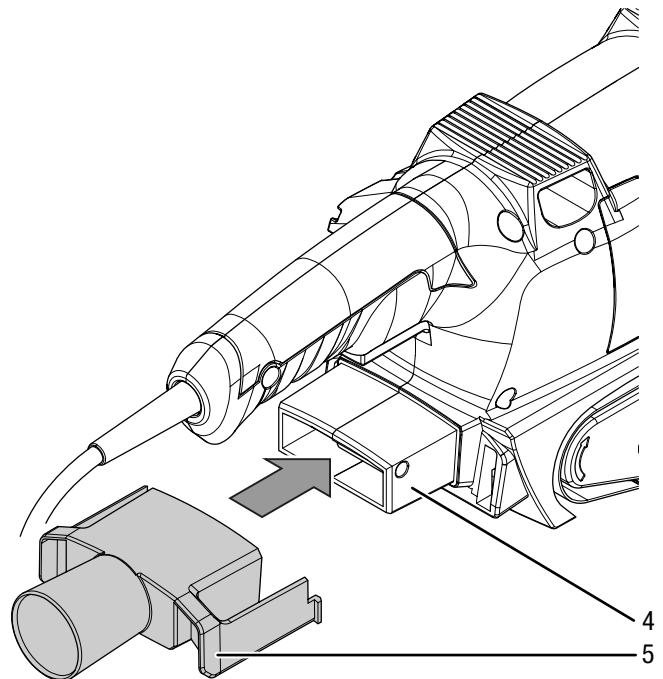
Empty the dust collector or the vacuum cleaner's dust collection bag at regular intervals.



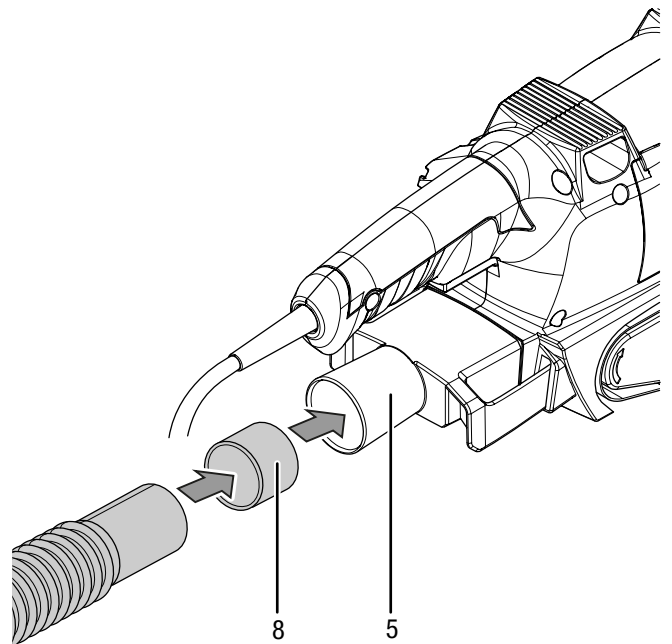
Caution

Use a special vacuum cleaner to suck off harmful or toxic materials.

1. Push the adapter for external dust extraction (5) onto the adapter connection (4).



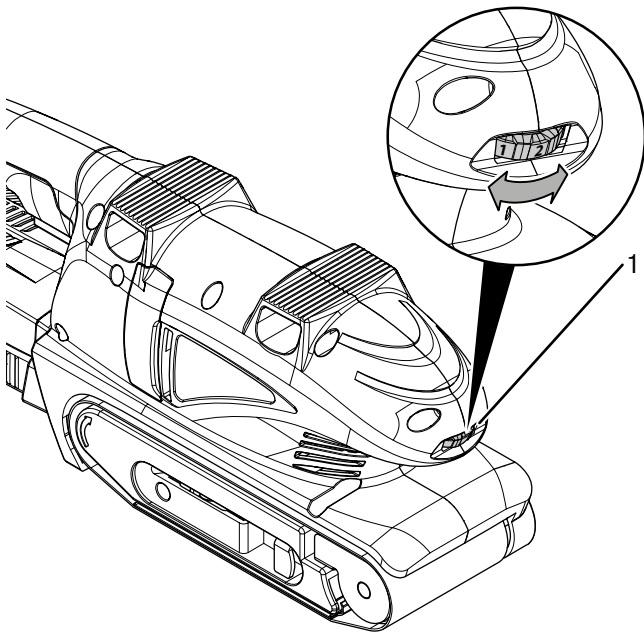
2. Connect a suitable vacuum cleaner (e.g. industrial vacuum cleaner) to the adapter for dust extraction (5). If required, you can first connect the reducer (8) for the dust extraction system to the adapter for dust extraction (5). If anything is unclear or if you have questions, please contact the manufacturer of your vacuum cleaner.



Adjusting the belt speed

By use of the setting wheel for belt speed selection you can change the speed of rotation at any time – even during the operation of the device. The required belt speed depends on the material and the operating conditions and can be determined by way of field-testing. For sanding harder materials such as wood or metal we recommend a higher belt speed, for softer materials e.g. non-ferrous metals and varnishes a low belt speed is sufficient. The setting range covers 7 levels: 1 – MAX (170 – 250 m/min).

1. Turn the setting wheel (1) to the desired level for belt speed.



Connecting the power cable

1. Insert the mains plug into a properly secured mains socket.

Operation

Tips and notes on handling the belt sander

General information:

- Only use abrasive belts which are approved for the device used.
- Before every application, make sure that you have selected the correct abrasive belt for the intended use. A coarse grit is suited for rough grinding, a fine grain size, on the other hand, is more appropriate for fine and finish grinding.
- Do not process wood and metal using the same abrasive belt.
- Only use intact, flawless abrasive belts. Damaged abrasive belts could tear and cause damage to the workpiece. Exchange abrasive belts in due time.
- Make sure that the abrasive belt does not grind into the housing.
- Clamp the workpiece unless it is firmly and safely positioned by its own weight.
- Do not overload the device so that it comes to a standstill.
- Keep the venting slots clear to prevent the motor from overheating.
- Only store abrasive belts in a suspended position, as they are damaged by kinks and the likes.

Sanding:

- Belt speed and grain size of the abrasive belt define the removal rate and the surface finish.
- For grinding off untreated wooden surfaces move the device in a straight line along with the grain. That way you can prevent transverse sanding marks. For sanding other surfaces move the device in ovals. Always sand in parallel to the grinding path ensuring an appropriate overlap.
- Do not apply excessive contact pressure. The device's own weight achieves a sufficient grinding performance resulting in smoother workpieces surfaces. Increased contact pressure leads to a greater wear of the device and the abrasive belt.
- If the material's surface is untreated, start grinding with coarse or medium grain size and finish off with a fine grit.
- Best use a coarse grain size (40 or 60 grit) for removing paint and for rough grinding particularly raw wood. For surface-grinding undressed or sawn timber use abrasive belts of medium grit (grain size 80, 100 or 120). Use a fine grit (grain size 180, 240 or 320) to smoothen and fine-grind timber and surfaces coated with old paint as well as for dry sanding untreated wooden surfaces.
- Use a dust extraction system when grinding off residual paint. Paint residues might smelt and then smudge both workpiece and abrasive belt.

- Switch the device on before applying it to the workpiece. Once the grinding process is concluded, lift the device off the workpiece before you switch it off.
- Do not attempt to slow down the petering out abrasive belt by pressing against it.

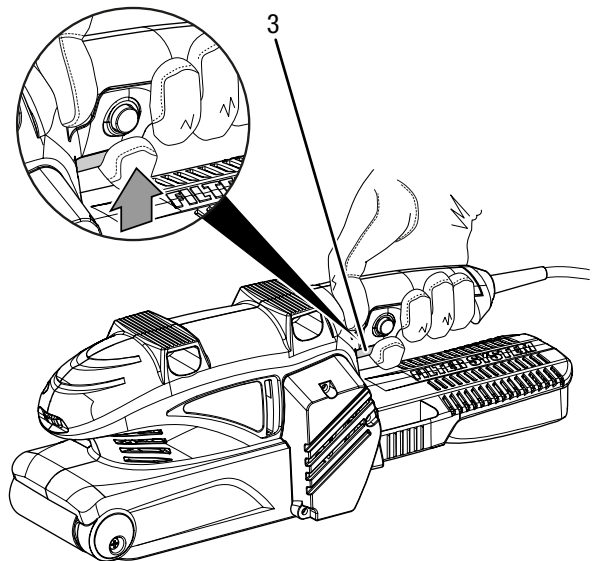
The non-binding values listed in the table below shall serve as a point of reference for selecting the right abrasive belt and the proper setting for the task at hand:

| | |
|---------------------------------|------------------------------------------------|
| Material / field of work | Softwood |
| coarse sanding | grain size: 60 |
| fine sanding | grain size: 240 |
| belt speed selection | high (5 – 6) |
| Material / field of work | Hardwood |
| coarse sanding | grain size: 60 |
| fine sanding | grain size: 180 |
| belt speed selection | high (5 – 6) |
| Material / field of work | Chipboards |
| coarse sanding | grain size: 60 |
| fine sanding | grain size: 150 |
| belt speed selection | high (5 – 6) |
| Material / field of work | Removing paint / varnish |
| coarse sanding | grain size: 60 |
| belt speed selection | high (5 – 6) |
| Material / field of work | Sanding down varnishes |
| coarse sanding | grain size: 150 |
| fine sanding | grain size: 320 |
| belt speed selection | low (1 – 2) |
| Material / field of work | Derusting steel |
| coarse sanding | grain size: 40 |
| fine sanding | grain size: 120 |
| belt speed selection | medium / high (3 – 4) |
| Material / field of work | Plastics |
| coarse sanding | grain size: 120 |
| fine sanding | grain size: 240 |
| belt speed selection | low / medium (2 – 3) |
| Material / field of work | Non-ferrous metals (e.g. aluminium) |
| coarse sanding | grain size: 80 |
| fine sanding | grain size: 150 |
| belt speed selection | medium / high (3 – 4) |

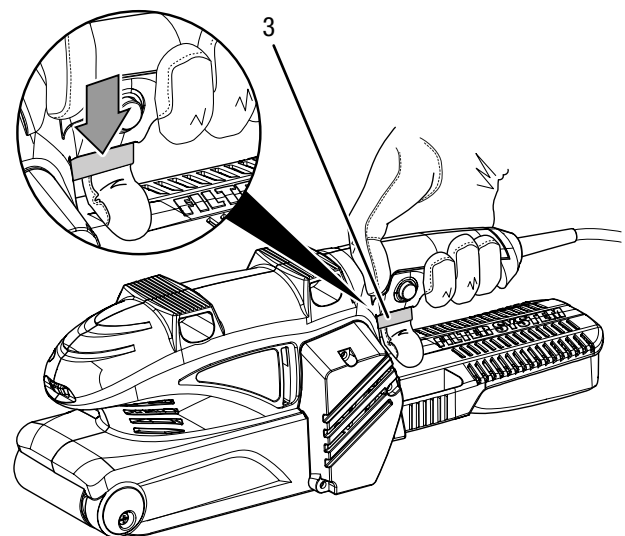
Switching the device on and off

Wear your personal protective equipment when working with the device.

1. Press the on/off switch (3).



2. Position the device on the workpiece.
3. Lift the device off the workpiece before you switch it off.
4. To switch the device off, release the on/off switch (3).

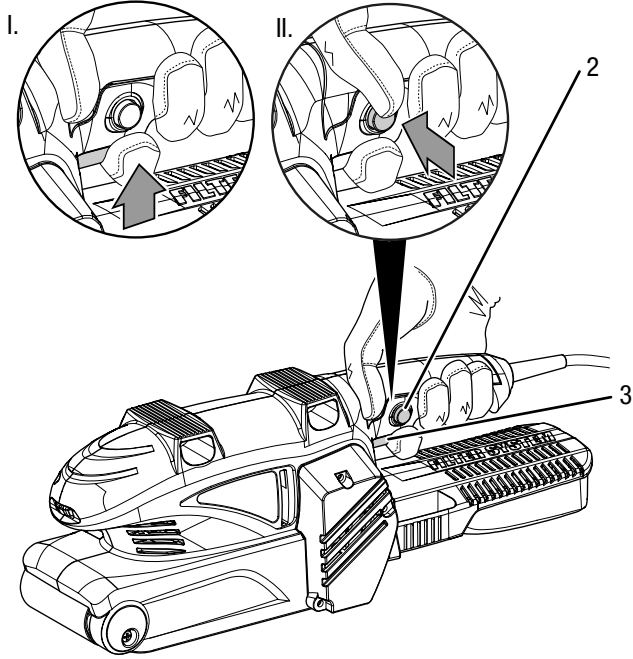


Switching continuous operation on and off

Continuous operation permits more convenient working conditions.

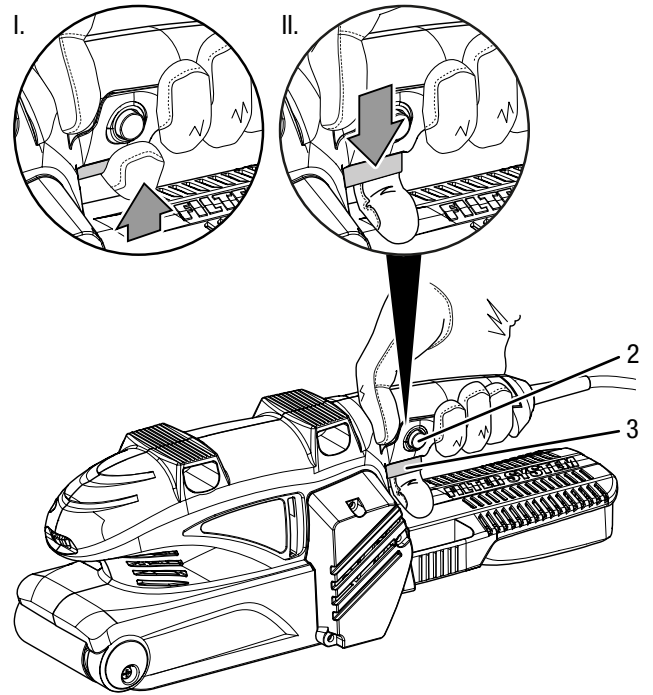
During continuous operation you do not have to hold onto the on/off switch the entire time.

1. Press the on/off switch (3).
2. Press the locking switch (2) until it clicks into place.



3. Take your finger off the on/off switch (3).
 - ⇒ The on/off switch is locked in place.
 - ⇒ The device keeps running and continuous operation is activated.
4. Position the device on the workpiece.
5. Lift the device off the workpiece before you switch it off.

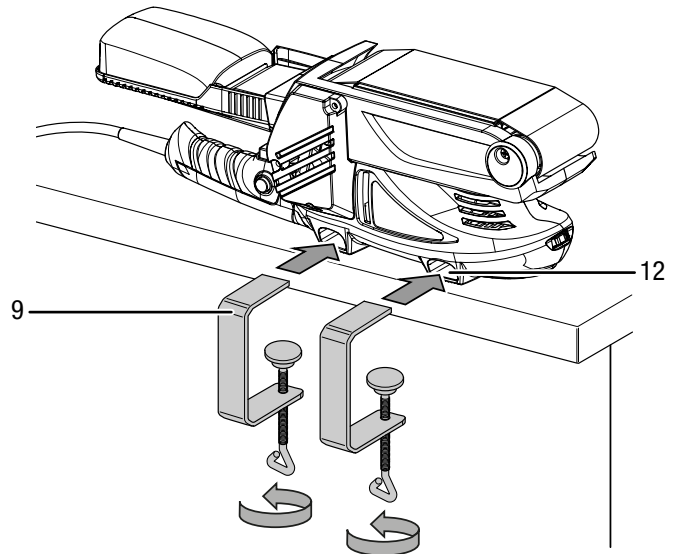
6. Press the on/off switch (3) to stop continuous operation.
 - ⇒ The locking switch (2) automatically returns to its initial position.



Stationary operation

For the stationary application you can further switch on continuous operation to create more convenient working conditions.

1. Turn the device over and place it on a stable working surface.
2. Insert two retaining brackets (9) into the provided fixtures (12).
3. Screw the retaining brackets (9) down by turning clockwise.



4. Check the retaining brackets (9) for tight fit.
5. For the disassembly unscrew the retaining brackets (9) counter-clockwise.

Shutdown



Warning of electrical voltage

Do not touch the mains plug with wet or damp hands.

- Switch off the device.
- Hold onto the mains plug while pulling the power cable out of the mains socket.
- If required, allow the device to cool down.
- Remove the tool from the device (see Start-up chapter).
- If attached, disconnect the dust extraction system from the device.
- Clean the device according to the Maintenance chapter.
- Store the device according to the Transport and storage chapter.

Errors and faults

The device has been checked for proper functioning several times during production. If malfunctions occur nonetheless, check the device according to the following list.

Troubleshooting tasks which require the housing to be opened must only be carried out by an authorized specialist electrical company or by Trotec.

Light smoke or odour is emitted during the first use:

- This is not a fault. These phenomena disappear after a brief runtime.

The device does not start:

- Check the power connection.
- Check the power cable and mains plug for damage. If you notice damages, do not try to take the device back into operation.

If the supply cord is damaged, it must be replaced by the manufacturer, its service agent or similarly qualified persons in order to avoid a hazard.

- Check the on-site fusing.



Info

Wait for at least 10 minutes before switching the device back on.

The abrasive belt does not move although the motor is running:

- Make sure that the abrasive belt does not grind into the housing. Adjust the belt run if required, see chapter Adjusting the belt run.
- Make sure that there is no workpiece debris blocking the drive. Remove the blockages, if any.
- Check whether you are using an abrasive belt that is suitable for this device.

The motor slows down:

- Check whether the device is overloaded by the workpiece.
- Reduce the pressure applied on the workpiece.
- Check whether the workpiece is suitable for the tasks to be carried out.

The surface of the workpiece is not smooth or the grinding performance is insufficient:

- Check whether the selected abrasive belt is suitable for the material to be processed.
- If the abrasive belt is worn, replace it with a new one, see chapter Changing the abrasive belt.
- Check the belt speed setting. It must be suitable for both the abrasive belt and the material.
- Select a higher speed level by turning the setting wheel for the belt speed selection to the desired level.

The device becomes hot:

- Check whether the selected abrasive belt is suitable for the tasks to be carried out.
- Make sure not to exert too much pressure on the device during grinding.
- Keep the venting slots clear to prevent the motor from overheating.
- Wait for at least 10 minutes before switching the device back on.

The device still does not operate correctly after these checks:

Please contact the customer service. If necessary, bring the device to an authorised specialist electrical company or to Trotec for repair.

Maintenance

Activities required before starting maintenance



Warning of electrical voltage

Do not touch the mains plug with wet or damp hands.

- Switch off the device.
- Hold onto the mains plug while pulling the power cable out of the mains socket.
- Allow the device to cool down completely.



Warning of electrical voltage

Maintenance tasks which require the housing to be opened must only be carried out by authorised specialist companies or by Trotec.

Notes on maintenance

Inside the device, there are no parts that need to be maintained or lubricated by the user.

Cleaning

The device should be cleaned before and after each use.

Note

The device does not have to be lubricated after cleaning.



Warning of electrical voltage

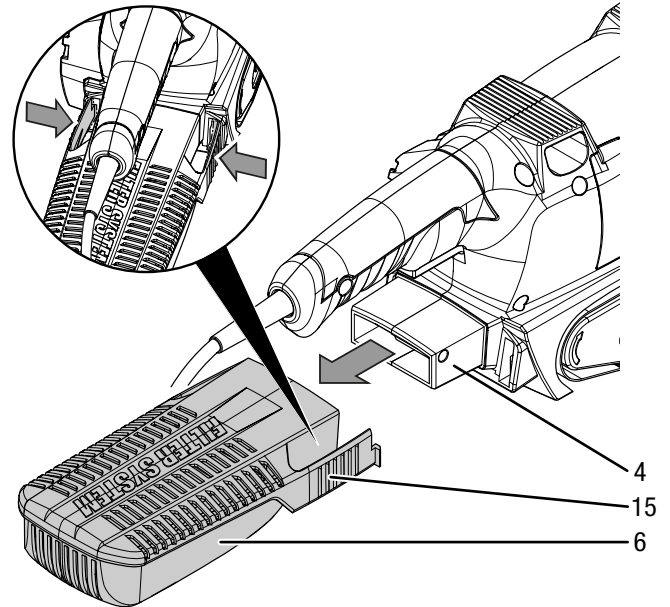
There is a risk of a short-circuit due to liquids penetrating the housing!
Do not immerse the device and the accessories in water. Make sure that no water or other liquids can enter the housing.

- Clean the device with a soft, damp and lint-free cloth. Make sure that no moisture enters the housing. Protect electrical components from moisture. Do not use any aggressive cleaning agents such as cleaning sprays, solvents, alcohol-based or abrasive cleaners to dampen the cloth.
- Dry the device with a soft, lint-free cloth.
- Keep the ventilation openings free from dust deposits to prevent overheating of the motor.
- Remove dust and chips from the chip ejector. If the chip ejector is blocked, clean it with suitable means (e.g. compressed air).

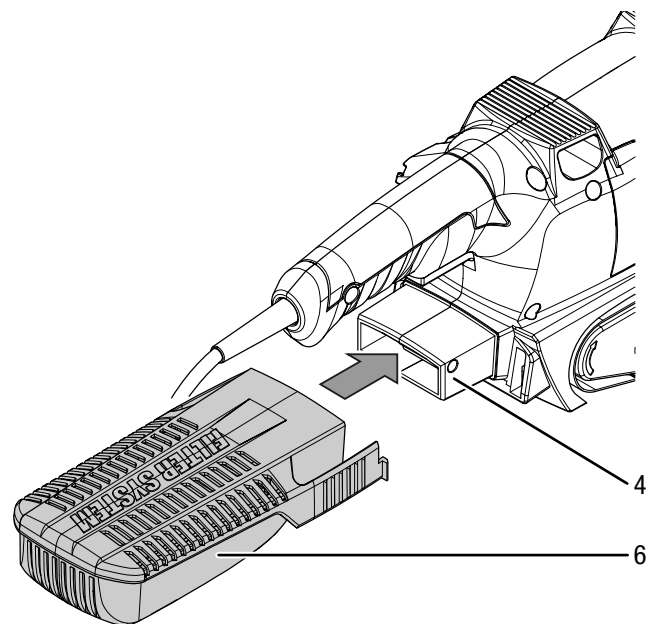
Emptying / cleaning the dust collector

The device accomplishes a high removal rate. For optimum working conditions regularly empty and clean the dust collector.

1. Detach the dust collector (6) from the adapter connection (4) by squeezing the clips (15) and simultaneously pulling.



2. Tap the closed end of the dust collector (6) against a solid surface to loosen the dust from the dust collector.
3. Empty the dust collector completely. Use a brush to remove adherent abrasive dust.
4. Push the dust collector (6) back onto the adapter connection (4). The dust collector (6) must click into place at the device.



Disposal



The icon with the crossed-out waste bin on waste electrical or electronic equipment stipulates that this equipment must not be disposed of with the household waste at the end of its life. You will find collection points for free return of waste electrical and electronic equipment in your vicinity. The addresses can be obtained from your municipality or local administration. You can also find out about other return options that apply for many EU countries on the website <https://hub.trotec.com/?id=45090>. Otherwise, please contact an official recycling centre for electronic and electrical equipment authorised for your country.

The separate collection of waste electrical and electronic equipment aims to enable the re-use, recycling and other forms of recovery of waste equipment as well as to prevent negative effects for the environment and human health caused by the disposal of hazardous substances potentially contained in the equipment.

Declaration of conformity

Declaration of conformity in accordance with the EC Machinery Directive 2006/42/EC, Annex II, Part 1, Section A

We – Trotec GmbH – declare in sole responsibility that the product designated below was developed, constructed and produced in compliance with the requirements of the EC Machinery Directive in the version 2006/42/EC.

Product model / Product: PBSS 10-600

Product type: belt sander

Year of manufacture as of: 2021

Relevant EU directives:

- 2011/65/EU: 01/07/ 2011
- 2012/19/EU: 24/07/2012
- 2014/30/EU: 29/03/2014
- 2015/863/EU: 31/03/2015

Applied harmonised standards:

- EN 55014-1:2017
- EN 61000-3-3:2013
- EN 62841-1:2015
- EN 62841-2-4:2014

Applied national standards and technical specifications:


- EN 55014-2:2015
- EN IEC 61000-3-2:2019

Manufacturer and name of the authorised representative of the technical documentation:

Trotec GmbH
Grebbener Straße 7, D-52525 Heinsberg
Phone: +49 2452 962-400
E-mail: info@trotec.de

Place and date of issue:

Heinsberg, 29.06.2021



Detlef von der Lieck, Managing Director

Trotec GmbH

Grebbeener Str. 7
D-52525 Heinsberg

☎ +49 2452 962-400

☎ +49 2452 962-200

✉ info@trotec.com

www.trotec.com