

PSCS 11-3,6V

EN

ORIGINAL INSTRUCTIONS
CORDLESS SCREWDRIVER WITH
BIT MAGAZINE



 **TROTEC**

Table of contents

Notes regarding the instructions 1

Safety 2

Information about the device 6

Transport and storage 7

Start-up 8

Operation 11

Available accessories 12

Errors and faults 12

Maintenance 13

Disassembly 13

Disposal 14

Declaration of conformity 14



Follow the manual

Information marked with this symbol indicates that the instructions must be observed.



Wear safety glasses

Information marked with this symbol indicates that you should wear eye protection.



Wear a protective mask

Information marked with this symbol indicates that you should wear a protective mask.

You can download the current version of the instructions and the EU declaration of conformity via the following link:



PSCS 11-3,6V



<https://hub.trotec.com/?id=39470>

Notes regarding the instructions

Symbols



Warning of electrical voltage

This symbol indicates dangers to the life and health of persons due to electrical voltage.



Warning of explosive substances

This symbol indicates dangers to the life and health of persons due to potentially explosive substances.



Warning

This signal word indicates a hazard with an average risk level which, if not avoided, can result in serious injury or death.



Caution

This signal word indicates a hazard with a low risk level which, if not avoided, can result in minor or moderate injury.

Note

This signal word indicates important information (e.g. material damage), but does not indicate hazards.



Info

Information marked with this symbol helps you to carry out your tasks quickly and safely.

Safety

Read this manual carefully before starting or using the device. Always store the manual in the immediate vicinity of the device or its site of use!



Warning

Observe all the safety warnings, instructions, illustrations and technical data provided with this power tool.

Failure to follow the instructions below may result in electric shock, fire and / or serious injury.

Save all warnings and instructions for future reference.

The term *power tool* used in the safety warnings refers to both mains-operated and battery-powered electric tools (with/without power cable).



General Power Tool Safety Warnings – Work area safety

- **Keep work area clean and well lit.** Cluttered or dark areas invite accidents.
- **Do not operate power tools in explosive atmospheres, such as in the presence of flammable liquids, gases or dust.** Power tools create sparks which may ignite the dust or fumes.
- **Keep children and bystanders away while operating a power tool.** Distractions can cause you to lose control.



General Power Tool Safety Warnings – Electrical safety

- **Power tool plugs must match the outlet. Never modify the plug in any way. Do not use any adapter plugs with earthed (grounded) power tools.** Unmodified plugs and matching outlets will reduce risk of electric shock.
- **Avoid body contact with earthed or grounded surfaces, such as pipes, radiators, ranges and refrigerators.** There is an increased risk of electric shock if your body is earthed or grounded.
- **Do not expose power tools to rain or wet conditions.** Water entering a power tool will increase the risk of electric shock.
- **Do not abuse the cord. Never use the cord for carrying, pulling or unplugging the power tool. Keep the cord away from heat, oil, sharp edges or moving parts.** Damaged or entangled cords increase the risk of electric shock.
- **When operating a power tool outdoors, use an extension cord suitable for outdoor use.** Use of a cord suitable for outdoor use reduces the risk of electric shock.

- **If operating a power tool in a damp location is unavoidable, use a residual current device (RCD) protected supply.** Use of an RCD reduces the risk of electric shock.
- **Hold power tool by insulated gripping surfaces when performing an operation where the cutting accessory may contact hidden wiring or its own cord.** Cutting accessory contacting a "live" wire may make exposed metal parts of the power tool "live" and could give the operator an electric shock.



General Power Tool Safety Warnings – Personal safety

- **Stay alert, watch what you are doing and use common sense when operating a power tool. Do not use a power tool while you are tired or under the influence of drugs, alcohol or medication.** A moment of inattention while operating power tools may result in serious personal injury.



Use personal protective equipment. Always wear eye protection. Protective equipment such as dust mask, non-skid safety shoes, hard hat, or hearing protection used for appropriate conditions will reduce personal injuries.

- **Prevent unintentional starting. Ensure the switch is in the off-position before connecting to power source and/or battery pack, picking up or carrying the tool.** Carrying power tools with your finger on the switch or energising power tools that have the switch on invites accidents.
- **Remove any adjusting key or wrench before turning the power tool on.** A wrench or a key left attached to a rotating part of the power tool may result in personal injury.
- **Do not overreach. Keep proper footing and balance at all times.** This enables better control of the power tool in unexpected situations.
- **Dress properly. Do not wear loose clothing or jewellery. Keep your hair and clothing away from moving parts.** Loose clothes, jewellery or long hair can be caught in moving parts.
- **If devices are provided for the connection of dust extraction and collection facilities, ensure these are connected and properly used.** The use of a dust extraction system may reduce dust-related hazards.
- **Do not let familiarity gained from frequent use of tools allow you to become complacent and ignore tool safety principles.** A careless action can cause severe injury within a fraction of a second.



General Power Tool Safety Warnings – Power tool use and care

- **Do not force the power tool. Use the correct power tool for your application.** The correct power tool will do the job better and safer at the rate for which it was designed.
- **Do not use the power tool if the switch does not turn it on and off.** Any power tool that cannot be controlled with the switch is dangerous and must be repaired.
- **Disconnect the plug from the power source and / or the battery pack, if detachable, from the power tool before making any adjustments, changing accessories, or storing power tools.** Such preventive safety measures reduce the risk of starting the power tool accidentally.
- **Store idle power tools out of the reach of children and do not allow persons unfamiliar with the power tool or these instructions to operate the power tool.** Power tools are dangerous in the hands of untrained users.
- **Maintain power tools and accessories carefully. Check for misalignment or binding of moving parts, breakage of parts and any other condition that may affect the power tool's operation. If damaged, have the power tool repaired before use.** Many accidents are caused by poorly maintained power tools.
- **Keep cutting tools sharp and clean.** Properly maintained cutting tools with sharp cutting edges are less likely to bind and are easier to control.
- **Use the power tool, accessories and tool bits etc. in accordance with these instructions, taking into account the working conditions and the work to be performed.** Use of the power tool for operations different from those intended could result in a hazardous situation.
- **Keep handles and gripping surfaces dry, clean and free from oil and grease.** Slippery handles and gripping surfaces do not allow for safe handling and control of the tool in unexpected situations.



General Power Tool Safety Warnings – Battery tool use and care

- **Recharge only with the charger specified by the manufacturer.** A charger that is suitable for one type of battery pack may create a risk of fire when used with another battery pack.
- **Use power tools only with specifically designated battery packs.** Use of any other battery packs may create a risk of injury and fire.
- **When battery pack is not in use, keep it away from other metal objects, like paper clips, coins, keys, nails, screws or other small metal objects, that can make a connection from one terminal to another.** Shorting the battery terminals together may cause burns or a fire.
- **Under abusive conditions, liquid may be ejected from the battery. Avoid contact. If contact accidentally occurs, flush with water. If liquid contacts eyes, additionally seek medical help.** Liquid ejected from the battery may cause irritation or burns.
- **Do not use a damaged or modified battery.** Damaged or modified batteries can behave unexpectedly and lead to fires, explosions or injuries.
- **Do not expose a battery to fire or excessively high temperatures.** Exposure to fire or temperatures above 130 °C (265 °F) may cause an explosion.
- **Follow all the instructions for charging and never charge the battery or the cordless tool outside the temperature range specified in the operating instructions.** Incorrect charging or charging outside of the permissible temperature range can destroy the battery and increase the risk of fire.



General Power Tool Safety Warnings – Service

- **Have your power tool serviced by a qualified repair person using only identical replacement parts.** This will ensure that the safety of the power tool is maintained.

Device-specific safety warnings for cordless screwdrivers



Wear eye and mouth protection when processing materials that may contain harmful substances (e.g. asbestos).



- Secure the workpiece with tensioning devices or a vice.
- Hold the power tool firmly. When tightening or loosening screws, high reaction torques can occur temporarily.
- Immediately switch off the power tool if the insertion tool blocks. Beware of high reaction torques causing a kickback.
- **Hold power tool by insulated gripping surfaces when performing an operation where the cutting accessory may contact hidden wiring.** Cutting accessory contacting a "live" wire may make exposed metal parts of the power tool "live" and could give the operator an electric shock.
- For any work on the device, as well as during transport or storage, set the switch for the rotational direction to centre position (locked). This prevents unintentional starting of the power tool.
- Wait until the power tool has come to a standstill, before putting it down.

Intended use

Only use the device PSCS 11-3,6V for screwing in and loosening screws, while adhering to and following the technical data.

We recommend using the power tool with original Trotec accessories.

Improper use

The device is not intended for drilling.

Personnel qualifications

People who use this device must:

- have read and understood the instructions, especially the Safety chapter.

Personal protective equipment



Wear eye protection.

















With it you protect your eyes from splintering, falling and flying pieces which could cause injuries.



Wear a protective mask.

It saves you from inhaling harmful dusts generated when processing workpieces.

Residual risks

-  **Warning of electrical voltage**
Electric shock from insufficient insulation.
Check the device for damages and proper functioning before each use.
If you notice damages, no longer use the device.
Do not use the device when the device or your hands are damp or wet!
-  **Warning of electrical voltage**
Work on the electrical components must only be carried out by an authorised specialist company!
-  **Warning of electrical voltage**
Before any work on the device, remove the mains plug of the charger from the mains socket!
Hold onto the mains plug while pulling the power cable out of the mains socket.
-  **Warning of electrical voltage**
There is a risk of a short-circuit due to liquids penetrating the housing!
Do not immerse the device and the accessories in water. Make sure that no water or other liquids can enter the housing.
-  **Warning of explosive substances**
Do not expose the battery to temperatures above 45 °C! Do not let the battery come into contact with water or fire! Avoid direct sunlight and moisture. There is a risk of explosion!
-  **Warning**
Toxic dusts!
 The harmful / toxic dusts produced during operation pose of risk to the health of the operator and persons in the vicinity.
 Wear eye protection and a dust mask!
-  **Warning**
Do not process materials containing asbestos. Asbestos is considered carcinogenic.
-  **Warning**
Make sure not to hit power, gas or water lines when working with a power tool.
If necessary, use a pipe detector to check the wall you want to drill in or slit open.
-  **Warning**
Risk of injuries caused by flying parts or bursting tool heads.
-  **Warning**
Dangers can occur at the device when it is used by untrained people in an unprofessional or improper way! Observe the personnel qualifications!
-  **Warning**
The device is not a toy and does not belong in the hands of children.
-  **Warning**
Risk of suffocation!
Do not leave the packaging lying around. Children may use it as a dangerous toy.
-  **Caution**
Vibration emissions can cause a health hazard if the device is used for an extended period of time or if it is not properly handled and maintained.
-  **Caution**
Keep a sufficient distance from heat sources.
- Note**
If you store or transport the device improperly, the device may be damaged.
Note the information regarding transport and storage of the device.
- Note**
Only change the rotational direction when the device is at a standstill! Otherwise the device might be damaged.
- Note**
Set the torque and rotational direction according to the operating mode. A wrong selection may damage the device.

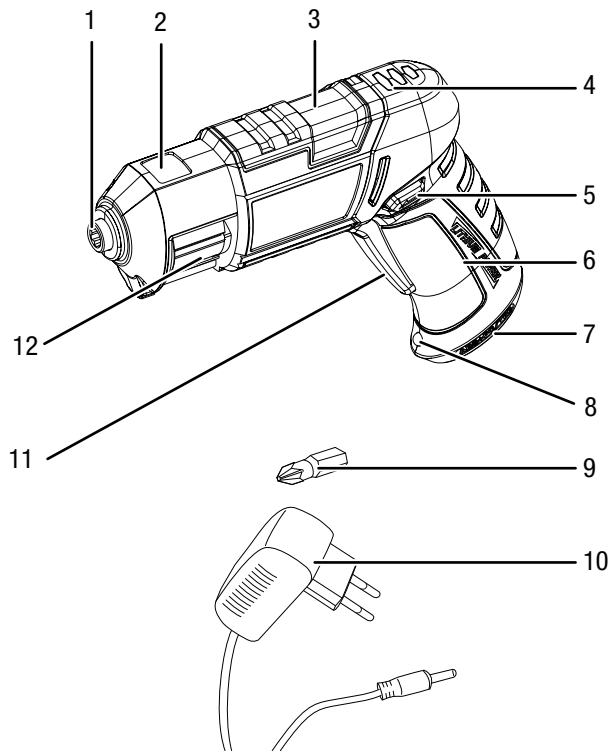
Information about the device

Device description

The cordless screwdriver PSCS 11-3,6V has an integrated bit magazine for an easy, tool-free bit exchange.

The integrated LED work light offers an improved illumination of the workpiece or working surface.

Device depiction



No.	Designation
1	Magnetic bit holder
2	Bit magazine window
3	Slide switch for bit exchange
4	3-stage battery level indication
5	Clockwise / counter-clockwise rotation, lock
6	Handle
7	Charger connection
8	LED work light
9	25 mm bit
10	Charger
11	On / off switch
12	Bit magazine

Scope of delivery

- 1 x Cordless screwdriver with bit magazine
- 1 x Quick charger
- 6 x Bits (25 mm)
- 1 x Manual

Technical data

Parameter	Value
Model	PSCS 11-3,6V
Nominal voltage	3.6 V ---
Idle speed	230 rpm
Tool holder	Hexagon magnetic bit holder
Max. torque	4 Nm
Weight	470 g
Battery (integrated)	
Type	Li-ion
Nominal voltage	3.6 V ---
Capacity	1500 mAh
Charger	
PSCS 11-3.6V AC	
Input	
Nominal voltage	100 - 240 V \sim 50 - 60 Hz
Power consumption	8 W
Output	
Nominal voltage	5 V ---
Charging current	600 mA
Charging time	3 h
Protection class	II / \square
Sound values according to EN 60745	
Sound pressure level	62 dB(A)
Sound power level	75.8 dB(A)
Uncertainty K	3 dB(A)
Vibration information according to EN 60745	
Vibration emission value drilling in metal / screwing ah=in	0.216 m/s ²
Uncertainty K	1.5 m/s ²

Information on noise and vibration:

- The vibration level specified in these instructions was determined by means of a measuring method standardized in EN 60745 and can be used for a device comparison. The specified vibration emission value may also be used for a preliminary assessment of the exposure.

**Caution**

- Vibration emissions can cause a health hazard if the device is used for an extended period of time or if it is not properly handled and maintained.
- The vibration level will change depending on the application of the power tool and may in some cases differ from the value specified in these instructions. The vibration load may be underestimated if the power tool is used regularly in such a way. For a precise estimation of the vibration load during a certain work period, it is also important to consider the periods during which the device is switched off, or is running but not actually employed. This can reduce the vibration load over the entire work period significantly.

Transport and storage**Note**

If you store or transport the device improperly, the device may be damaged.
Note the information regarding transport and storage of the device.

Transport

Before transporting the device, observe the following:

- Switch off the device by setting the switch for clockwise/ counter-clockwise rotation to centre position (lock).
- Hold onto the mains plug while pulling the power cable of the charger out of the mains socket.
- Allow the device to cool down.

The supplied Li-ion batteries are subjects to the requirements of dangerous goods legislation.

Observe the following when transporting or shipping Li-ion batteries:

- The user may transport the batteries by road without any additional requirements.
- If transport is carried out by third parties (e.g. air transport or forwarding company), special requirements as to packaging and labelling must be observed. This includes consulting a dangerous goods specialist when preparing the package.
 - Only ship batteries if their housing is undamaged.
 - Please also observe any other national regulations.

Storage

Before storing the device, observe the following:

- Switch off the device by setting the switch for clockwise/ counter-clockwise rotation to centre position (lock).
- Hold onto the mains plug while pulling the power cable of the charger out of the mains socket.
- Allow the device to cool down.
- Clean the device as described in the Maintenance chapter.
- Do not store Li-ion batteries which are completely discharged. Storing discharged batteries can lead to a deep discharge and thus damage the battery.

When the device is not being used, observe the following storage conditions:

- dry and protected from frost and heat
- ambient temperature below 40 °C
- protected from dust and direct sunlight

Start-up

Unpacking the device

- Take the device out of the packaging.



Warning of electrical voltage

Electric shock from insufficient insulation.
Check the device for damages and proper functioning before each use.

If you notice damages, no longer use the device.
Do not use the device when the device or your hands are damp or wet!

- Check the device for completeness and look for damages.



Warning

Risk of suffocation!
Do not leave the packaging lying around. Children may use it as a dangerous toy.

- Dispose of the packaging material according to the national regulations.

Charging the battery



Caution

While the battery is charging, the handle may become slightly warm. This is normal.

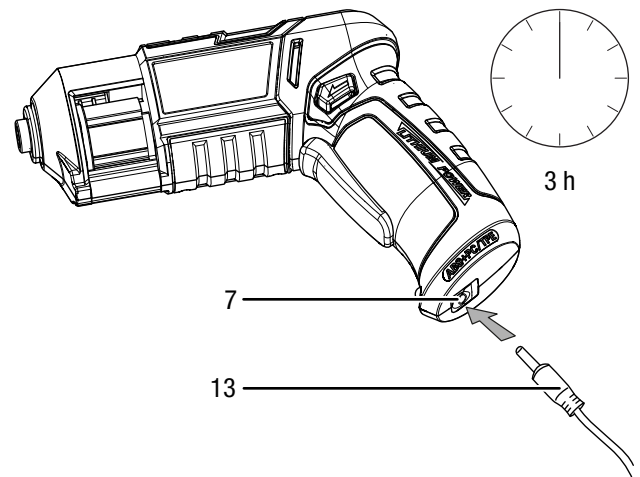
Note

The battery can be damaged in case of improper charging.
Never charge the battery at ambient temperatures below 10 °C or above 40 °C.

The battery is partially charged upon delivery to avoid damage to the battery caused by a deep discharge.

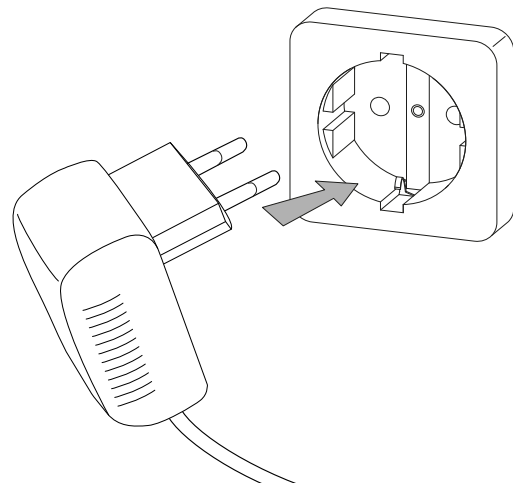
Prior to initial start-up and when the battery is low (only the red LED in the battery level indication (4) is illuminated), the battery should be charged. To do so, please proceed as follows:

1. Insert the barrel plug (13) of the charger into the charger connection (7).



2. Insert the mains plug of the charger (10) into a properly fused mains socket.

⇒ Charging requires approx. 3 hours.



3. Wait until the 3 LEDs of the battery level indication (4) are illuminated.

⇒ The battery is fully charged.

4. Unplug the charger (10) from the mains socket.

5. Pull the barrel plug (13) out of the device.

⇒ The device and the charger (10) may have become warm during charging.

Allow the device to cool down to room temperature.



Info

The device cannot be started when the charger is connected.

The on / off switch (11) can be pressed, but the motor will not start. The LED work light (8) and the battery level indication (4) light up.

Checking the battery status

The battery status is displayed as follows by the three LEDs of the battery level indication (4):

LED colour	Meaning
Green – Orange – Red	maximum charge / power
Orange – Red	medium charge / power
Red	weak charge – Recharge the battery.

1. Press the on / off switch (11).
⇒ You can read the battery status from the battery level indication (4).

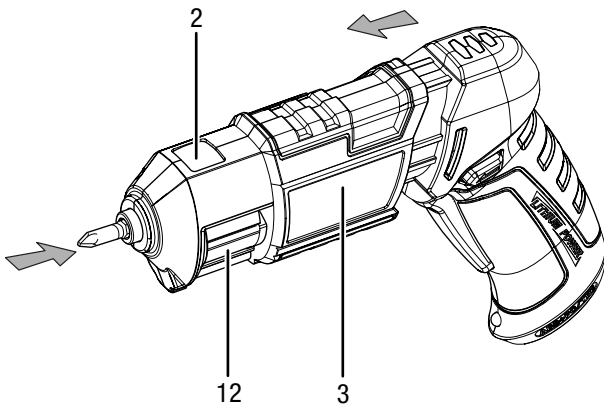
Changing tools

Note

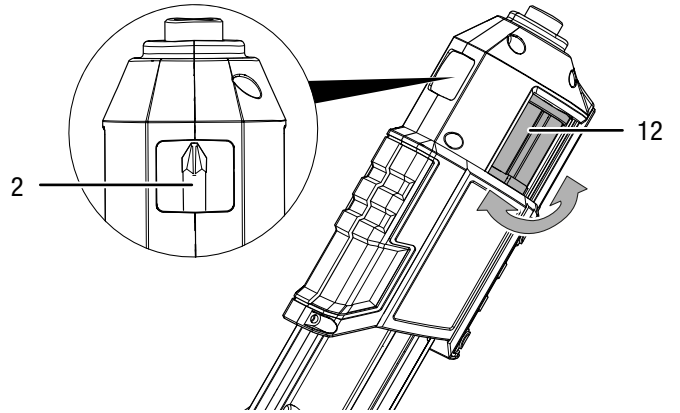
To avoid damaging the gear, set the switch for clockwise / counter-clockwise rotation (5) to centre position (lock). The on / off switch (11) can also be operated when the slide switch for bit exchange (3) is pushed out.

The device is equipped with a bit magazine with locking mechanism for hexagon bits. Please proceed as follows to remove or insert tools:

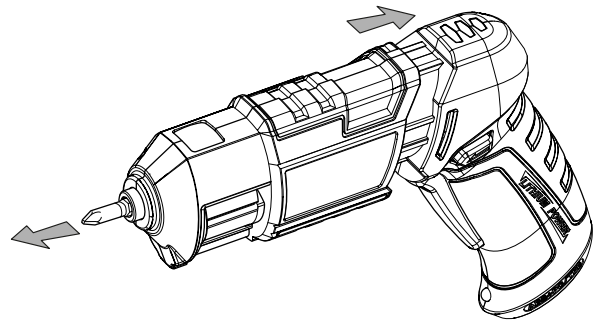
1. Set the switch for clockwise/counter-clockwise rotation (5) to centre position (lock).
2. Pull the slide switch for bit exchange (3) forward.
⇒ The current bit is pushed into the bit magazine (12).



3. Select the desired bit by rotating the bit magazine (12) to the left or right.
⇒ The currently selected bit can be seen in the window (2) in an enlarged view.



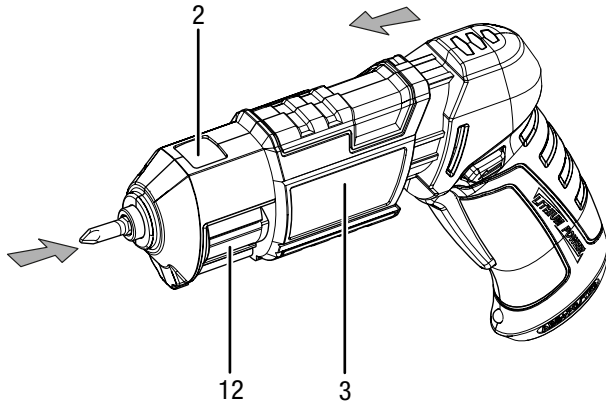
4. Pull the slide switch for bit exchange (3) back.
⇒ The current bit is pushed out of the bit magazine (12) into the magnetic bit holder (1).



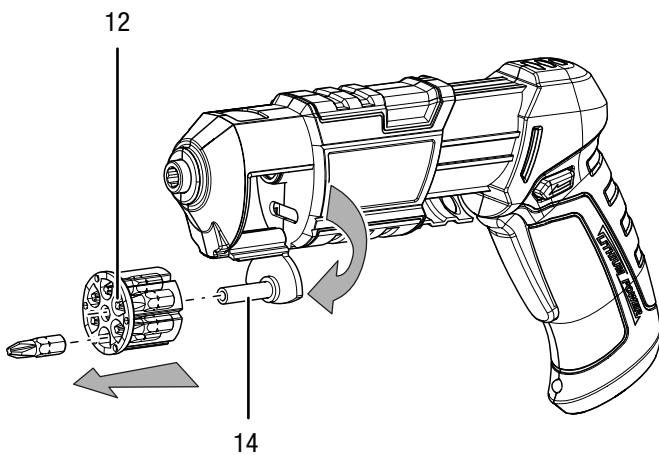
Filling the bit magazine

You can fill the bit magazine with up to 6 bits (25 mm).

1. Set the switch for clockwise/counter-clockwise rotation (5) to centre position (lock).
2. Pull the slide switch for bit exchange (3) forward.
 - ⇒ The current bit is pushed into the bit magazine (12).

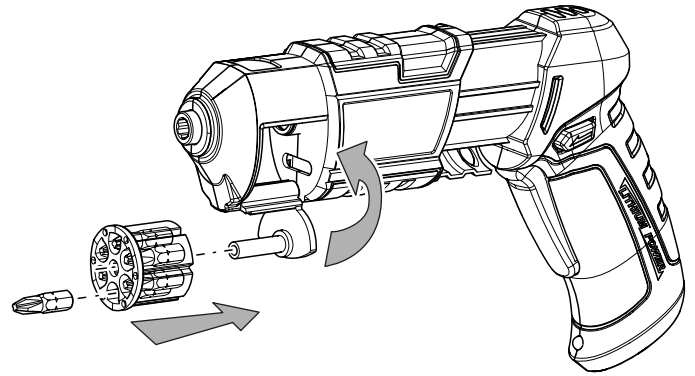


3. Remove the bit magazine (12) from the device by pushing the bit magazine out to the left.

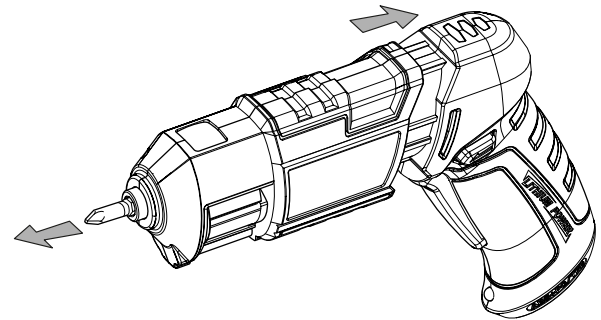


4. Take the bit magazine (12) off the holder (14).
5. Remove bits which are no longer needed from the bit magazine (12).

6. Fill the desired bits into the bit magazine (12). Make sure that the bit tips point to the front.



7. Place the bit magazine (12) back on the holder (14). The bit magazine (12) has a thicker edge at the front so that it can only be placed on in one direction.
8. Push the bit magazine (12) back into the device.
9. Select a bit if required.
10. Pull the slide switch for bit exchange (3) back.
 - ⇒ The current bit is pushed out of the bit magazine (12) into the magnetic bit holder (1).



Operation

Tips and notes on handling the cordless screwdriver

General information:

- Check the tool in the bit holder for correct fit before every application.
- The centre position of the clockwise / counter-clockwise rotation switch (lock) is suited for work breaks or bit exchange.

Screwing:

- In case of soft wood, screws can be screwed in without pre-drilling.
- In case of hard wood or large screws, it is recommended to use a drill for pre-drilling.
- When using countersunk screws, the drill hole should be countersunk beforehand.

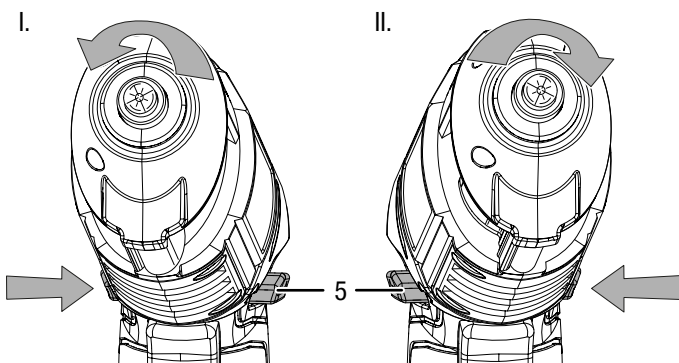
Selecting the rotational direction

Note

Only change the rotational direction when the device is at a standstill! Otherwise the device might be damaged.

The motor's rotational direction can be changed by means of the switch for clockwise / counter-clockwise rotation (5).

1. Press in the switch for clockwise / counter-clockwise rotation (5) on the side to which the motor shall rotate.

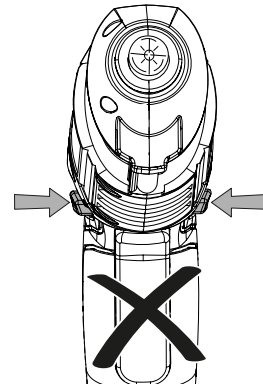


I. Screwing in

II. Unscrewing

2. Carry out a short test run to see whether the rotational direction matches the intended application. A wrong rotational direction may damage the tool and / or workpiece.

3. If required, set the switch for clockwise / counter-clockwise rotation (5) to centre position (lock) to block the on / off switch (11).



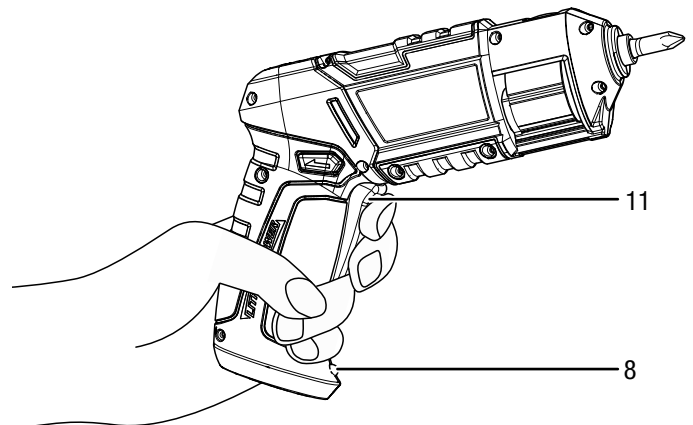
Switching the device on and off

Note

Do not switch the device on when the slide switch for bit exchange (3) is open.

The device, the bit magazine or the bits might be damaged.

1. Check whether the slide switch for bit exchange (3) is in closed position.
2. Check whether the tool and the selected torque setting are suitable for the intended application.
3. Check whether the workpiece is secured and the worktop prepared correspondingly.
4. Press and hold the on / off switch (11) during screwing.
⇒ The LED work light (8) is illuminated.



5. Let go of the on / off switch (11) to stop the device.
⇒ The LED work light (8) turns off.



Info

The motor has an integrated brake that quickly stops the motor once you let go of the on / off switch (11).

Shutdown

1. Set the switch for clockwise/counter-clockwise rotation (5) to centre position (lock).
2. If required, allow the device to cool down.
3. Remove the tool from the device (see Start-up chapter).
4. Clean the device according to the Maintenance chapter.
5. Store the device according to the Storage chapter.

Available accessories



Warning

Only use accessories and additional equipment specified in the operating manual. Using insertion tools or accessories other than those specified in the operating manual may cause a risk of injury.

Accessories	Article number
Screw bit set, 32-piece	6,200,001,001

Errors and faults

The device has been checked for proper functioning several times during production. If malfunctions occur nonetheless, check the device according to the following list.

Troubleshooting tasks which require the housing to be opened must only be carried out by an authorized specialist electrical company or by Trotec.

Slight smoke or odour are emitted during first use:

- This is not a fault. These phenomena disappear after a brief runtime.

The battery does not charge:

- Check whether the device is correctly connected to the charger and whether the charger is correctly connected to the power supply.
- Check the power connection.
- Check the power cable and mains plug for damages.
- Check the fuse (home).
- Check the charger for damages. Should the charger be damaged, stop using it. Contact the Trotec customer service.
- Check the charger connection for dirt. Remove any dirt.
- The battery might be defective. Contact the Trotec customer service.

The device does not start:

- The battery power might be too low. Recharge the battery.
- Check the position of the clockwise / counter-clockwise rotation switch. The switch must be pressed in all the way. If the clockwise / counter-clockwise rotation switch is in centre position (lock), the on / off switch is blocked.
- Check whether the charger is connected. If the charger is connected, the device will not start.



Info

Wait for at least 10 minutes before switching the device back on.

The on/off switch cannot be pressed:

- Check whether the clockwise/counter-clockwise rotation switch is in centre position (lock). Set the desired rotational direction to unlock the tool.

Note

Wait for at least 3 minutes after maintenance and repair work. Only then switch the device back on.

Your device still does not operate correctly after these checks?

Please contact the customer service. If necessary, bring the device to an authorized specialist electrical company or to Trotec for repair.

Maintenance

Activities required before starting maintenance



Warning of electrical voltage

Do not touch the mains plug of the charger with wet or damp hands.

- Switch the device off.
- Hold onto the mains plug while pulling the power cable of the charger out of the mains socket.
- Allow the device to cool down completely.



Warning of electrical voltage

Maintenance tasks which require the housing to be opened must only be carried out by authorised specialist companies or by Trotec.

Notes on maintenance

Inside the device, there are no parts that need to be maintained or lubricated by the user.

Cleaning

The device should be cleaned before and after each use.

Note

The device does not have to be lubricated after cleaning.



Warning of electrical voltage

There is a risk of a short-circuit due to liquids penetrating the housing!
Do not immerse the device and the accessories in water. Make sure that no water or other liquids can enter the housing.

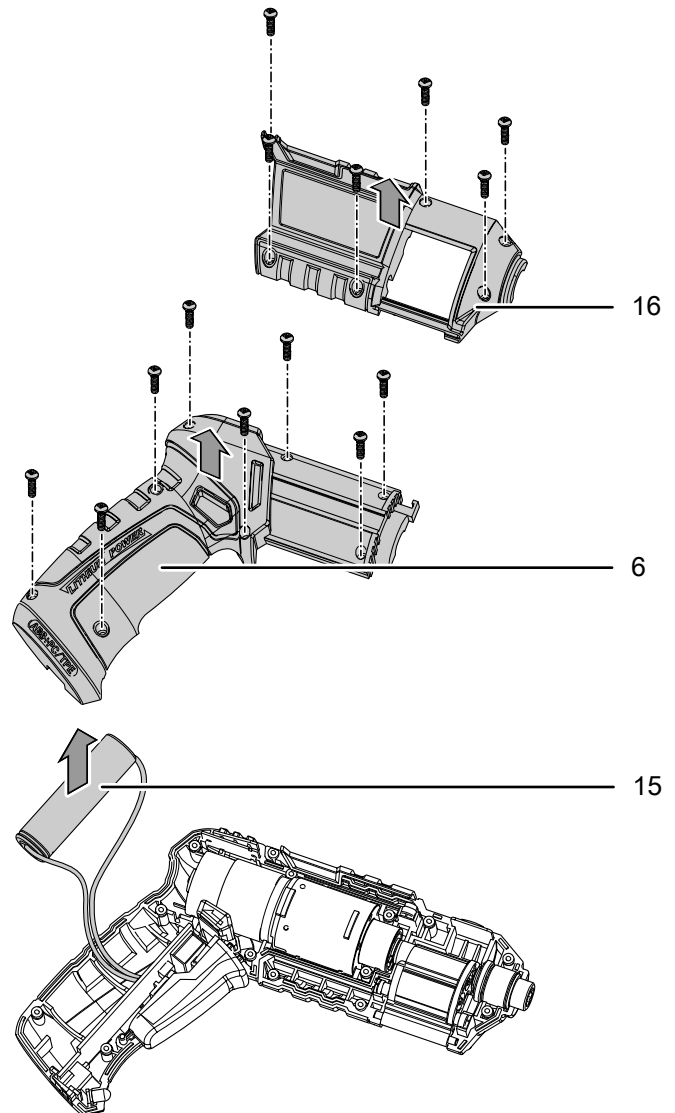
- Clean the device with a soft, damp and lint-free cloth. Ensure that no moisture enters the housing. Protect electrical components from moisture. Do not use any aggressive cleaning agents such as cleaning sprays, solvents, alcohol-based or abrasive cleaners to dampen the cloth.
- Dry the device with a soft, lint-free cloth.
- Dry the bits with a soft, lint-free cloth.
- Keep the connecting terminals on the device and charger clean.
- Keep the ventilation openings free from dust deposits to prevent overheating of the motor.

Disassembly

Battery removal and disposal

1. Completely discharge the battery by letting the device run until the motor stops.
2. Loosen the 6 screws at the housing's front section (16).
3. Open the front section of the housing (16).
4. Loosen the 8 screws at the handle (6).
5. Open the housing of the handle (6).
6. **Version A (without plug connection):** Hold onto the battery (15) and disconnect the wiring by means of a wire cutter. Insulate the severed wire ends of the battery with tape to prevent a short circuit.

Version B (with plug connection): Hold onto the battery (15) and disconnect the plug connections of the wiring.



7. Dispose of the battery and the device as described in the Disposal chapter.

Disposal



The icon with the crossed-out waste bin on waste electrical or electronic equipment stipulates that this equipment must not be disposed of with the household waste at the end of its life. You will find collection points for free return of waste electrical and electronic equipment in your vicinity. The addresses can be obtained from your municipality or local administration. For further return options provided by us please refer to our website www.trotec24.com.

The separate collection of waste electrical and electronic equipment aims to enable the re-use, recycling and other forms of recovery of waste equipment as well as to prevent negative effects for the environment and human health caused by the disposal of hazardous substances potentially contained in the equipment.



Li-Ion

In the European Union, batteries and accumulators must not be treated as domestic waste, but must be disposed of professionally in accordance with Directive 2006/66/EC of the European Parliament and of the Council of 6 September 2006 on batteries and accumulators. Please dispose of batteries and accumulators according to the relevant legal requirements.

Declaration of conformity

The text below sets out the contents of the declaration of conformity. The signed declaration of conformity can be found at <https://hub.trotec.com/?id=39470>.

Declaration of conformity

In accordance with the EC Machinery Directive 2006/42/EC, Annex II, Part 1, Section A

Herewith, we – Trotec GmbH & Co. KG – declare that the machinery designated below was developed, constructed and produced in compliance with the requirements of the EC Machinery Directive in the version 2006/42/EC.

Product model / Product: PSCS 11-3,6V

Product type: cordless screwdriver with bit magazine

Year of manufacture as of: 2016

Relevant EU directives:

- 2014/30/EU: 29 March 2014

Applied harmonised standards:

- EN ISO 12100:2010
- EN 55014-1:2006/A1:2009 + A2:2011
- EN 60745-1:2009 + A11:2010
- EN 60745-2-2:2010

Applied national standards and technical specifications:

- AfPS GS 2014:01 PAK

Manufacturer and name of the authorised representative of the technical documentation:

Trotec GmbH & Co. KG

Grebbener Straße 7, D-52525 Heinsberg

Phone: +49 2452 962-400

E-mail: info@trotec.de

Place and date of issue:

Heinsberg, 01.06.2016

Detlef von der Lieck, Managing Director

Trotec GmbH & Co. KG

Grebener Str. 7
D-52525 Heinsberg

☎ +49 2452 962-400

☎ +49 2452 962-200

info@trotec.com
www.trotec.com