

TVE 24 S

EN

INSTRUCTIONS
PEDESTAL FAN



 **TROTEC**

Table of contents

Information on the use of these instructions 2

Safety 2

Information about the device..... 4

Transport and storage..... 5

Assembly and start-up 5

Operation 9

Errors and faults..... 10

Maintenance 11

Technical annex..... 11

Disposal 12

Information on the use of these instructions

Symbols



Warning of electrical voltage

This symbol indicates dangers to the life and health of persons due to electrical voltage.



Warning

This signal word indicates a hazard with an average risk level which, if not avoided, can result in serious injury or death.



Caution

This signal word indicates a hazard with a low risk level which, if not avoided, can result in minor or moderate injury.

Notice

This signal word indicates important information (e.g. material damage), but does not indicate hazards.



Info

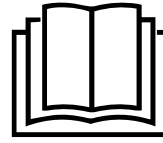
Information marked with this symbol helps you to carry out your tasks quickly and safely.



Follow the manual

Information marked with this symbol indicates that the instructions must be observed.

You can download the current version of these instructions via the following link:



TVE 24 S



<https://hub.trotec.com/?id=43276>

Safety

Read this manual carefully before starting or using the device. Always store the manual in the immediate vicinity of the device or its site of use.



Warning

Read all safety warnings and all instructions.

Failure to follow the warnings and instructions may result in electric shock, fire and/or serious injury.

Save all warnings and instructions for future reference.

This appliance can be used by children aged from 8 years and above and persons with reduced physical, sensory or mental capabilities or lack of experience and knowledge if they have been given supervision or instruction concerning use of the appliance in a safe way and understand the hazards involved.

Children shall not play with the appliance. Cleaning and user maintenance shall not be done by children without supervision.

- Do not use the device in potentially explosive rooms or areas and do not install it there.
- Do not use the device in an aggressive atmosphere.
- Place the device in an upright and stable position on a horizontal and stable surface.
- Let the device dry out after a wet clean. Do not operate it when wet.
- Do not use the device with wet or damp hands.
- Do not expose the device to directly squirting water.
- Never insert any objects or limbs into the device.
- Do not cover the device during operation.
- Do not sit on the device.
- This appliance is not a toy. Keep away from children and animals.
- Check accessories and connection parts for possible damage prior to every use of the device. Do not use any defective devices or device parts.

- Ensure that all electric cables outside of the device are protected from damage (e.g. caused by animals). Never use the device if electric cables or the power connection are damaged!
- The mains connection must correspond to the specifications in the Technical annex.
- Insert the mains plug into a properly fused mains socket.
- Observe the technical data when selecting extensions to the power cable. Completely unroll the extension cable. Avoid electrical overload.
- Before carrying out maintenance, care or repair work on the device, remove the mains plug from the mains socket. Hold onto the mains plug while doing so.
- Switch the device off and disconnect the power cable from the mains socket when the device is not in use.
- Do not under any circumstances use the device if you detect damages on the mains plug or power cable. If the supply cord is damaged, it must be replaced by a special cord or assembly available from the manufacturer or its service agent.
Defective power cables pose a serious health risk!
- When positioning the device, observe the minimum distances from walls and other objects as well as the storage and operating conditions specified in the Technical annex.
- Make sure that the air inlet and outlet are not obstructed.
- Make sure that there are no loose items or dirt located in the immediate surroundings of air inlet and air outlet.
- When unassembled, do not operate the device and do not connect it to the mains.
- Improper installation can lead to a fire, electric shock or severe personal injury.
- The device is provided with an overheating protection which is activated by overheating of the device (when exceeding the operating temperature). In such an event the device switches off automatically.
- Use batteries of type AAA.
- Do not insert rechargeable batteries into the remote control.
- Never charge batteries that cannot be recharged.
- Different types of batteries and new and used batteries must not be used together.
- Insert the batteries into the battery compartment according to the correct polarity.
- Remove discharged batteries. Batteries contain materials hazardous to the environment. Dispose of the batteries according to the national regulations.
- Remove the batteries from the remote control if you will not be using the device for a longer period of time.

- Never short-circuit the terminals of batteries!
- Do not swallow batteries! If a battery is swallowed, it can cause severe internal burns within 2 hours! These burns can lead to death!
- If you think batteries might have been swallowed or otherwise entered the body, seek medical attention immediately!
- Keep new and used batteries and an open battery compartment away from children.
- If the battery compartment does not close securely, stop using the product via the remote control.

Intended use

Only use the device TVE 24 S as pedestal fan for the ventilation of interior spaces whilst adhering to the technical data.

Any use other than the intended use is regarded as misuse.

Reasonably foreseeable misuse

- Do not place the device on wet or flooded ground.
- Do not place any objects, e.g. clothing, on the device.
- Do not use outdoors.
- Do not make any unauthorised modifications, alterations or structural changes to the device.

Personnel qualification

People who use this device must:

- be aware of the dangers that occur when working with electric devices in damp areas.
- have read and understood the instructions, especially the Safety chapter.

Residual risks



Warning of electrical voltage

Work on the electrical components must only be carried out by an authorised specialist company!



Warning of electrical voltage

Before any work on the device, remove the mains plug from the mains socket!
Do not touch the mains plug with wet or damp hands. Hold onto the mains plug while pulling the power cable out of the mains socket.



Warning

Dangers can occur at the device when it is used by untrained people in an unprofessional or improper way! Observe the personnel qualifications!



Warning

The device is not a toy and does not belong in the hands of children.



Warning

Risk of suffocation!

Do not leave the packaging lying around. Children may use it as a dangerous toy.

Notice

Do not use abrasive cleaners or solvents to clean the device.

Behaviour in the event of an emergency

1. Switch the device off.
2. Disconnect the device from the mains by removing the mains plug from the socket. When doing so, be sure to hold the plug, not the cable.
3. Do not reconnect a defective device to the mains.

Information about the device

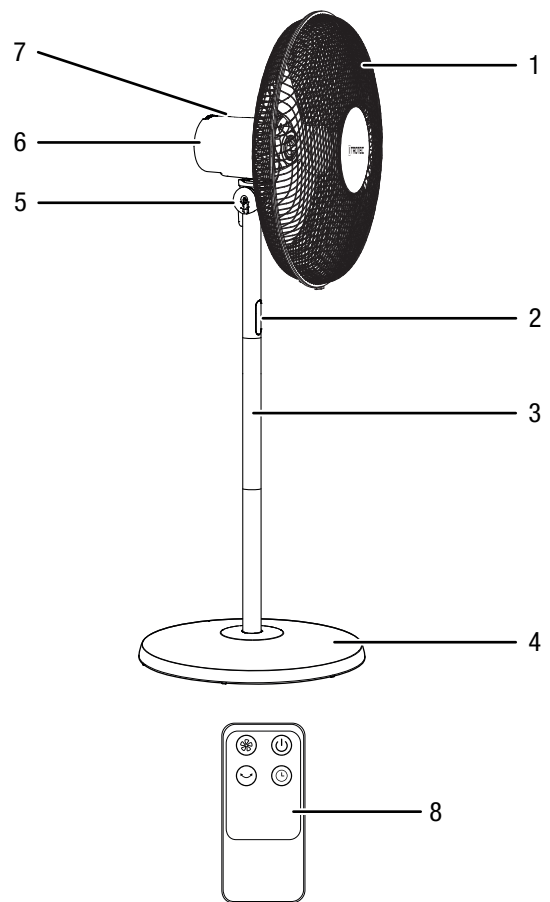
Device description

The pedestal fans of the TVE S series are suitable for indoor air circulation.

The device TVE 24 S comes with the following features:

- 8 speed levels
- Height adjustability
- Inclination angle of the fan head vertically adjustable by up to 30°
- On-demand 80° oscillation

Device depiction



No.	Designation
1	Protective grid
2	Display
3	Pole
4	Foot
5	Inclination angle adjustment element
6	Motor
7	Control panel
8	Remote control

Transport and storage

Notice

If you store or transport the device improperly, the device may be damaged.

Note the information regarding transport and storage of the device.

Transport

Before transporting the device, observe the following:

- Switch the device off.
- Disconnect the device from the mains by removing the mains plug from the socket. When doing so, be sure to hold the plug, not the cable.
- Do not use the power cable to drag the device.

After transporting the device, observe the following:

- Set up the device in an upright position after transport.

Storage

Before storing the device, observe the following:

- Switch off the device.
- Disconnect the device from the mains by removing the mains plug from the socket. When doing so, be sure to hold the plug, not the cable.

When the device is not being used, observe the following storage conditions:

- Store the device in a dry location and protected from frost and heat.
- If required, use a cover to protect the device from invasive dust.
- Place no further devices or objects on top of the device to prevent it from being damaged.
- Remove the batteries from the remote control.

Assembly and start-up

Scope of delivery

- 1 x Device TVE 24 S
- 1 x Remote control (without batteries)
- 1 x Manual

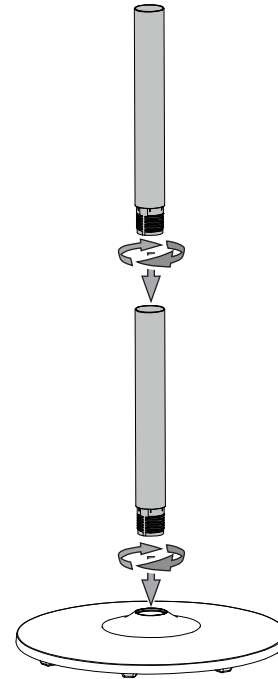
Unpacking the device

1. Open the cardboard box and take the device out.
2. Completely remove the packaging.
3. Fully unwind the power cable. Make sure that the power cable is not damaged and that you do not damage it during unwinding.

Assembly

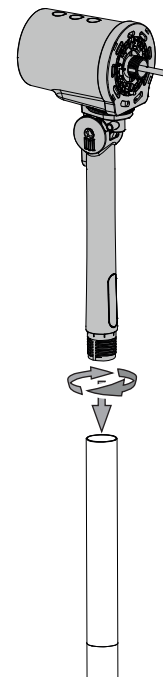
Mounting the foot

1. Connect the two parts of the pole by screwing them together.
2. Connect the foot (4) to the assembled pole (3) by screwing them together.



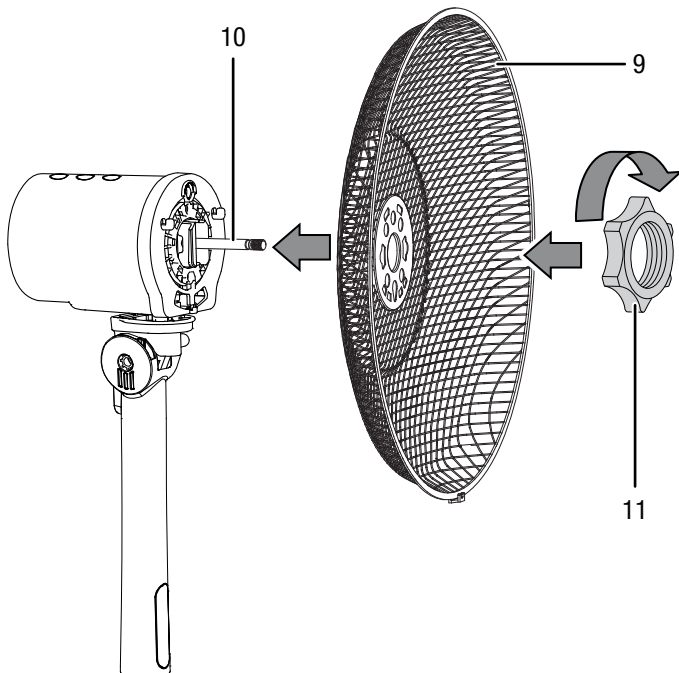
Connecting the motor element and pole

1. Connect the motor element (6) to the assembled pole (3).



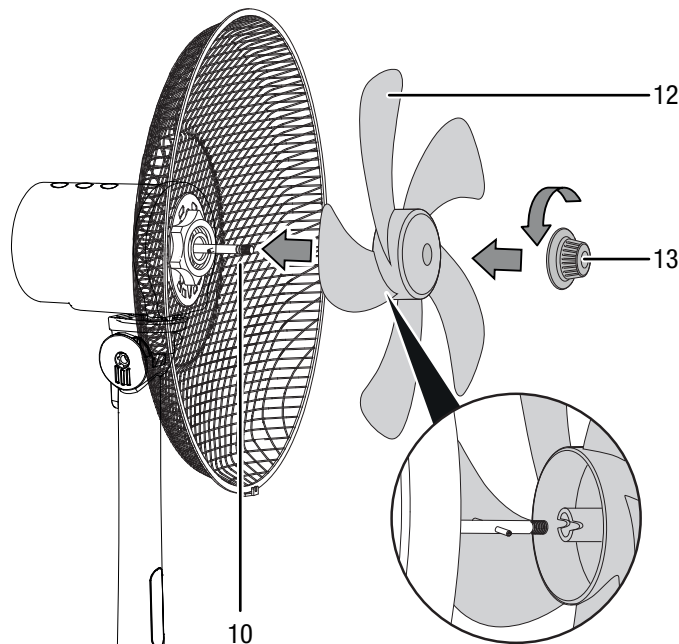
Mounting the rotor

1. Fit the rear part of the protective grid (9) on the motor spindle (10).
2. Fasten both elements with the retaining ring (11).



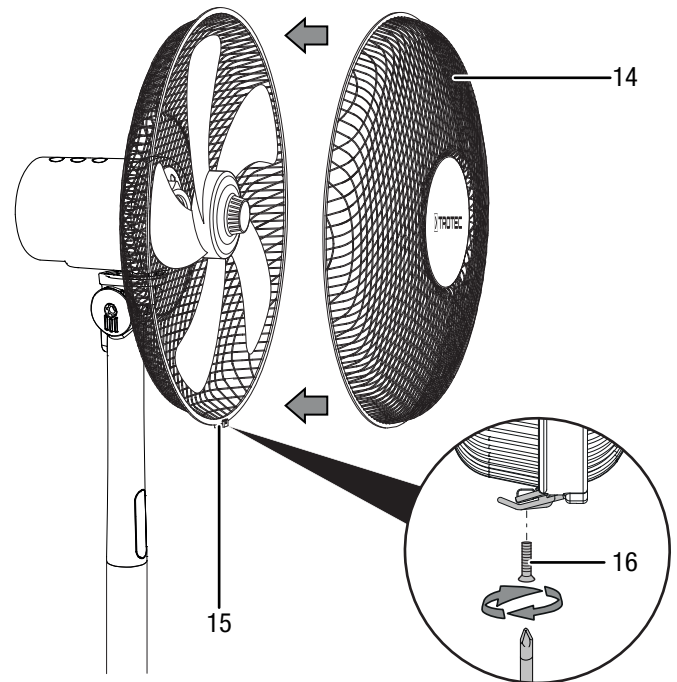
Fastening the impeller on the motor spindle

1. Fit the impeller (12) on the motor spindle (10).
2. Fasten the impeller (12) using the impeller retaining cap (13).



Mounting and closing the protective grid

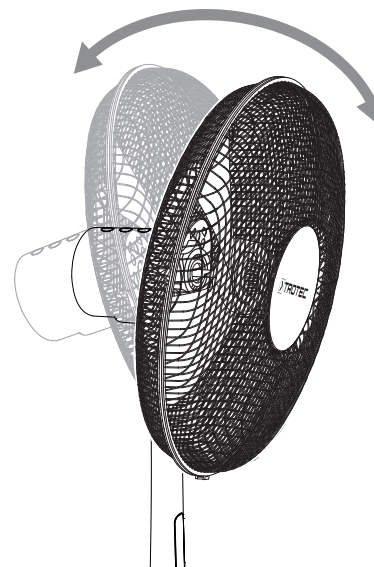
1. Fit the front part of the protective grid (14) on the rear part of the protective grid.
2. Make sure that the two parts are fixed by the fastening clip (15).
3. Use the fastening screw (16) at the bottom of the protective grid to fasten the two grid parts.



Setting the fan's inclination angle

The inclination angle of the fan can be manually adjusted by up to 30°.

1. Move the fan head forward or back so that it is slightly inclined either to the front or to the rear. Make sure that the fan head locks into place at the desired inclination angle.
 - ⇒ The fan's inclination angle has been set and the air will flow out at the selected inclination angle.

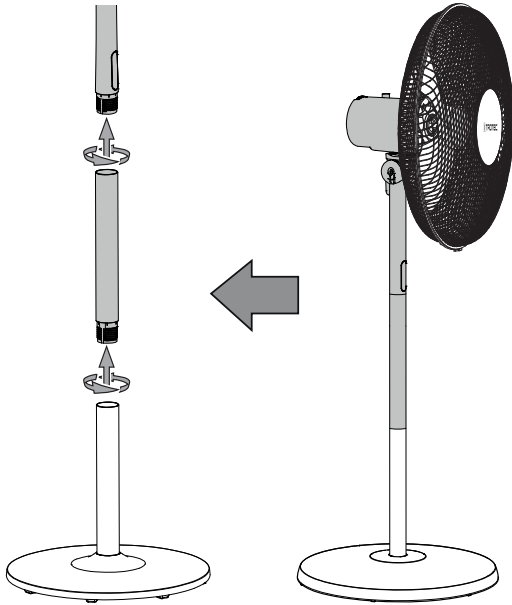


Adjusting the height

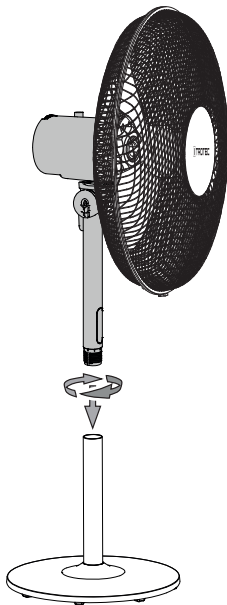
The fan height can be adjusted to 3 positions.

Remove one part of the pole to adjust the fan height from 130 cm to 100 cm.

1.

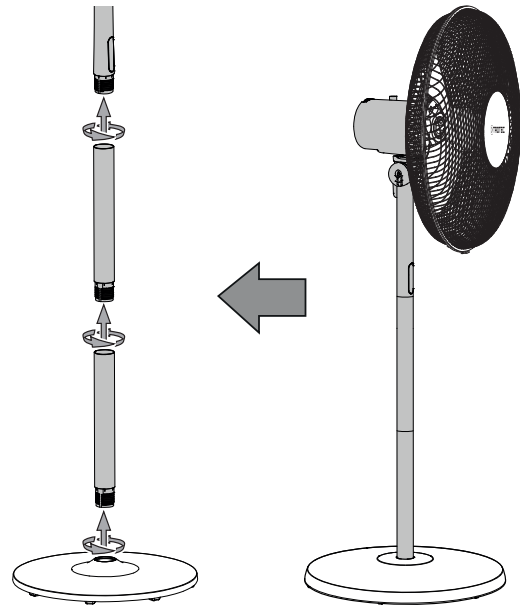


2.

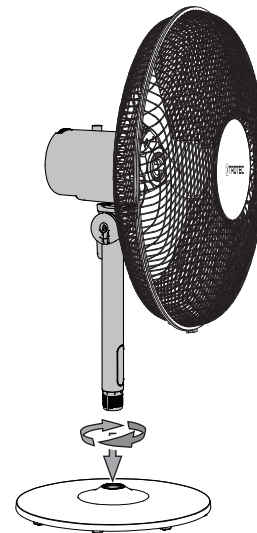


Remove two parts of the pole to adjust the fan height from 130 cm to 70 cm.

3.

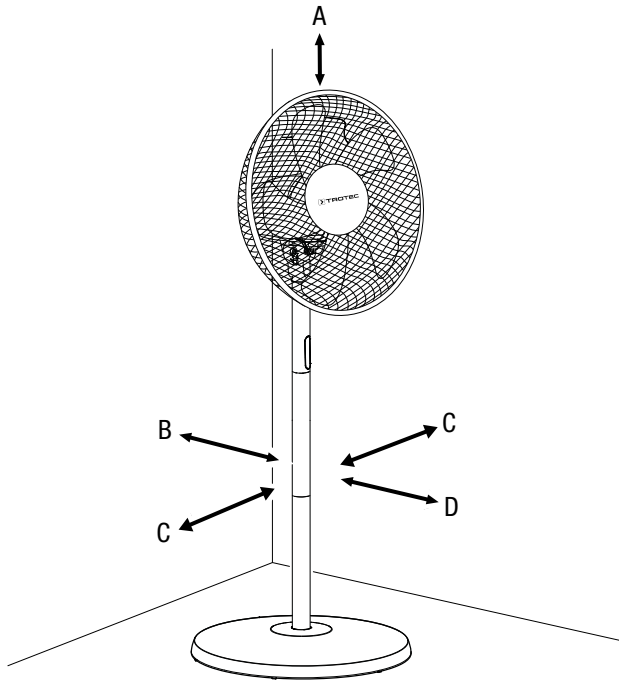


4.



Start-up

When positioning the device, observe the minimum distance from walls or other objects as described in the chapter Technical annex.



Inserting batteries into the remote control



Warning of electrical voltage

Do not touch the battery compartment with wet or damp hands.

Notice

Do not use rechargeable batteries!

1. Press the locking at the side of the battery compartment together and pull the battery compartment out of the remote control.
2. Insert three type AAA batteries into the battery compartment and slide the battery compartment back into the remote control.

Connecting the power cable

- Connect the mains plug to a properly secured socket.



Warning

Risk of injury due to incorrect start-up!
There is a risk of injury if the protective grid is not installed correctly around the impeller. The protective grid must be installed correctly before the device is switched on.



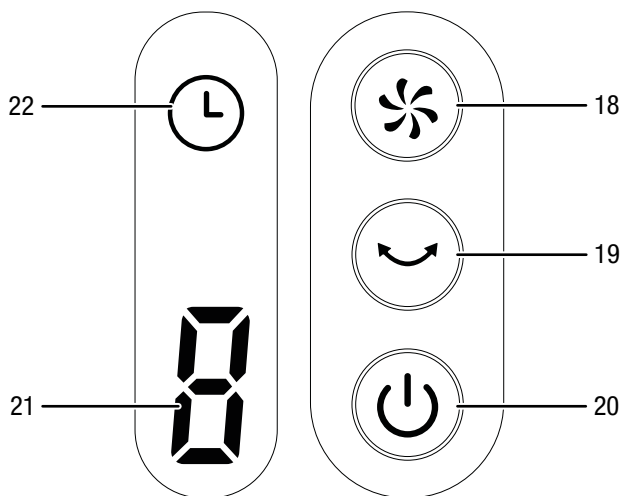
Warning

Risk of injury if protective grid is removed!
There is a risk of injury if the protective grid is removed during operation. Do not remove the protective grid while the device is in operation!

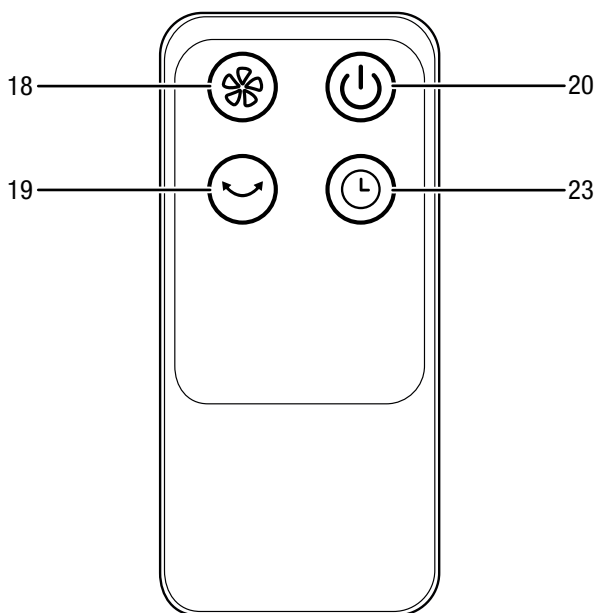
- Before restarting the device, check the condition of the power cable. If there are doubts as to the sound condition, contact the customer service.
- Place the device in an upright and stable position on a horizontal and stable surface.
- Do not create tripping hazards when laying the power cable or other electric cables, especially when positioning the device in the middle of the room. Use cable bridges.
- Make sure that extension cables are completely unrolled.
- Make sure that no curtains or other objects interfere with the air flow.

Operation

Operating elements



Remote control



No.	Designation	Meaning
18	<i>SPEED</i> button	Selecting the fan stage
19	<i>Oscillation</i> button	Activating and deactivating the oscillation function
20	<i>ON/OFF</i> button	Switching the device on and off
21	Segment display	<ul style="list-style-type: none"> • Indication of the set number of hours of the activated timer (1 h to 8 h) • Indication of the fan stage (1–8): Stage 1 = low fan speed Stage 4 = medium fan speed Stage 8 = high fan speed
22	<i>TIMER</i> indication	Indication of the timer function
23	<i>TIMER</i> button	Switching the timer function on and off

Switching the device on

Once you have completely installed the device as described in the chapter Assembly and start-up, you can switch it on.

1. Press the *ON/OFF* button (20).
⇒ An acoustic signal is emitted and the device starts up at fan stage 1.

Setting the fan stage

The fan can be set to eight stages while in operation.

1. Repeatedly press the *SPEED* button (18) until the desired fan stage is shown on the segment display (21).
⇒ The fan operates at the selected fan stage.

Setting the timer

The timer function switches the device off after the set time has elapsed.

The number of hours of the timer can be between 1 and 8 and can be adjusted in increments of 1 h.

- ✓ **Automatic switch-on:** The device is switched off.
 - ✓ **Automatic switch-off:** The device is switched on.
1. Press the *TIMER* button (23) on the remote control to activate the timer.
⇒ The *TIMER* indication (22) flashes for approx. 5 seconds.
⇒ The segment display (21) indicates a "1", meaning that one hour is left until automatic switch-on/switch-off.
 2. Press the *TIMER* button (23) again to select the desired number of hours until automatic switch-on/switch-off.
⇒ The segment display (21) indicates the number of hours until automatic switch-on/switch-off.
 3. Wait for 5 seconds to confirm the setting.
⇒ The *TIMER* indication (22) is illuminated. The segment display (21) indicates the number of hours until automatic switch-on/switch-off.
⇒ After the predefined time, the device switches itself on or off.
 4. To delete the setting, press the *TIMER* button (23) repeatedly until the segment display indicates a "0".
 5. Wait for 5 seconds to confirm the setting.
⇒ The *TIMER* indication (22) disappears.
⇒ The timer has been deactivated.

Using the oscillation function

By means of the oscillation function you can achieve consistent ventilation.

- ✓ The device is switched on and operating.
1. Press the *Oscillation* button (19) to activate the oscillation function.
⇒ The oscillation function is activated.
⇒ The fan head rotates to and fro by up to 80°.
 2. Press the *Oscillation* button (19) to deactivate the oscillation function.
⇒ The oscillation function is deactivated.
⇒ The device stops oscillation at the desired position and continues to run in the selected operating mode.

Display illumination

In case of non-use the *TIMER* indication (22) and the segment display (21) switch off after approx. 30 seconds. The device continues to run with the selected settings.



Info

If the backlight is switched off, press any button (except the ON/OFF button) to enable the display.

Remote control

All settings of the device can also be made using the remote control included in the scope of delivery.

Shutdown



Warning of electrical voltage

Do not touch the mains plug with wet or damp hands.

- Switch off the device.
- Disconnect the device from the mains by removing the mains plug from the socket. When doing so, be sure to hold the plug, not the cable.
- If required, clean the device according to the "Maintenance" chapter.
- Store the device according to the Transport and storage chapter.

Errors and faults

The device has been checked for proper functioning several times during production. If malfunctions occur nonetheless, check the device according to the following list.

The device does not start:

- Check the power connection.
- Check the power cable and mains plug for damage.
- Check the on-site fusing.
- Check whether the overheating protection has tripped, see chapter Safety.
- Wait for 10 minutes before restarting the device. If the device is not starting, have the electricians checked by a specialist company or by Trotec.

The fan does not start:

- Check whether the unit is switched on.
- Check the power supply and whether the plug or cable is defective.

The device is loud or vibrates:

- Check whether the device is set up in a stable and upright position.
- Check whether the device is mounted correctly.

The device does not respond to the infrared remote control:

- Check whether the distance between remote control and device is too large and reduce it if necessary.
- Make sure there are no obstacles, such as furniture or walls, between the device and the remote control. Ensure visual contact between device and remote control.
- Check the charging status of the batteries and change them if required.
- If the batteries have just been changed, check them for correct polarity.

The device still does not operate correctly after these checks:

Please contact the customer service. If necessary, bring the device to an authorised specialist electrical company or to the manufacturer for repair.

Maintenance

Activities required before starting maintenance



Warning of electrical voltage

Do not touch the mains plug with wet or damp hands.

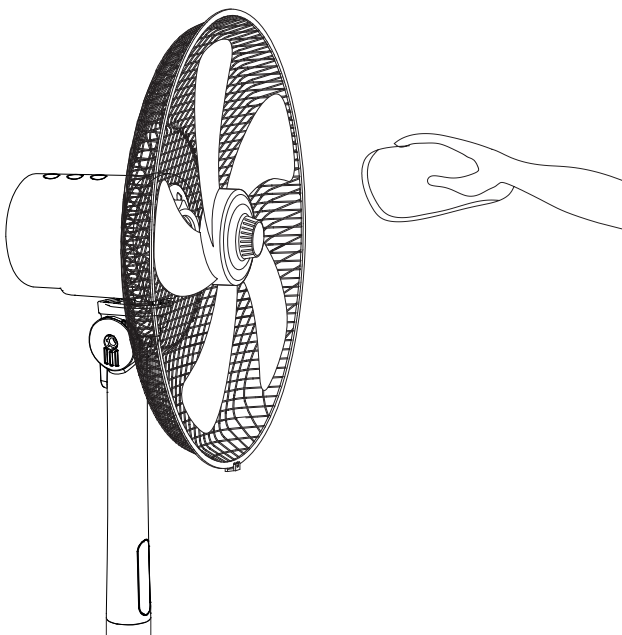
- Switch the device off.
- Disconnect the device from the mains by removing the mains plug from the socket. When doing so, be sure to hold the plug, not the cable.

Cleaning the housing

Clean the housing with a soft, damp and lint-free cloth. Make sure that no moisture enters the housing. Protect electrical components from moisture. Do not use any aggressive cleaning agents such as cleaning sprays, solvents, alcohol-based or abrasive cleaners to dampen the cloth.

Cleaning the fan blades

- ✓ The device is switched off.
 - ✓ The power cable has been removed from the mains socket.
1. Remove the protective grid according to the instructions in the chapter Assembly and start-up.
 2. Clean the fan blades with a soft, damp and lint-free cloth. Ensure that no moisture enters the housing. Protect electrical components from moisture. Do not use any aggressive cleaning agents such as cleaning sprays, solvents, alcohol-based or abrasive cleaners to dampen the cloth.



- Other than that, the device does not require maintenance.

Technical annex

Technical data

Parameter	Value
Model	TVE 24 S
Fan stages	8
Air velocity	2.22 m/s
Input voltage	220 – 240 V / 50 Hz
Power consumption	48 W
Power cable length	1.80 m
Adjustable inclination angle	30°
Oscillation function	80°
Height adjustability	0.70 – 1.30 m
Fan blade diameter	40 cm
Sound pressure level (at 1 m distance, stage 8)	60 dB(A)
Weight	6 kg
Dimensions (length x width x height)	450 x 450 x 1300 mm
Minimum distance to walls and other objects	top (A): 30 cm rear (B): 30 cm sides (C): 30 cm front (D): 30 cm
Batteries for the remote control	3 x type AAA

Information requirements for comfort fans according to Regulation (EU) No 206/2012:

Parameter	Symbol	Value	Unit
Maximum fan flow rate	F	57.8	m ³ /min
Fan power input	P	41.6	W
Service value	SV	1.39	(m ³ /min)/W
Standby mode power consumption	P _{SB}	0.20	W
Fan sound power level	L _{WA}	59	dB(A)
Maximum air velocity	c	3.4	m/s
Measurement standard for service value	EN 60879:2019		
Contact details for obtaining more information	Trotec GmbH · Grebbener Straße 7 · 52525 Heinsberg · Germany online@trotec.com · www.trotec.com		

Disposal

Always dispose of packing materials in an environmentally friendly manner and in accordance with the applicable local disposal regulations.



The icon with the crossed-out wheeled bin indicates that this device and any associated components (e.g. remote controls) must not be disposed of with household waste at the end of their life, in accordance with the Waste Electrical and Electronic Equipment Directive (2012/19/EU) and national laws.

You will find collection points for free return of waste electrical and electronic equipment in your vicinity. The addresses can be obtained from your municipality or local administration. You can also find out about other return options that apply for many EU countries on the website <https://hub.trotec.com/?id=45090>. Otherwise, please contact an official recycling centre for electronic and electrical equipment authorised for your country.

The separate collection of waste electrical and electronic equipment aims to enable the re-use, recycling and other forms of recovery of waste equipment as well as to prevent negative effects for the environment and human health caused by the disposal of hazardous substances potentially contained in the equipment.



This icon with the crossed-out wheeled bin indicates that batteries or accumulators must not be disposed of with household waste at the end of their life. If the device contains batteries or accumulators that contain mercury, cadmium or lead, the respective chemical symbol (Hg, Cd or Pb) is shown below the icon of the crossed-out wheeled bin. To prevent environmental pollution, do not carelessly leave batteries or electrical and electronic equipment containing batteries in public areas. In the European Union, batteries and accumulators must be returned to a designated collection point in accordance with REGULATION (EU) 2023/1542 OF THE EUROPEAN PARLIAMENT AND OF THE COUNCIL of 12 July 2023 concerning batteries and waste batteries. Remove batteries/accumulators and dispose of them separately according to the relevant legal requirements.

Only for United Kingdom

According to Waste Electrical and Electronic Equipment Regulations 2013 (SI 2013/3113) (as amended) and the Waste Batteries and Accumulators Regulations 2009 (SI 2009/890) (as amended), devices that are no longer usable must be collected separately and disposed of in an environmentally friendly manner.

Trotec GmbH

Grebbener Str. 7
52525 Heinsberg
Germany

☎ +49 2452 962-0

☎ +49 2452 962-200

✉ online@trotec.com

www.trotec.com