

# ZEROZON 200

EN

ORIGINAL INSTRUCTIONS  
OXYGEN REGENERATOR



**Table of contents**

**Notes regarding the instructions** ..... 2

**Safety** ..... 2

**Information about the device**..... 5

**Transport and storage**..... 6

**Assembly and start-up**..... 6

**Operation** ..... 8

**Available accessories**..... 10

**Errors and faults**..... 10

**Maintenance** ..... 11


**Technical annex**..... 13


**Disposal** ..... 20


**Declaration of conformity** ..... 20

**Notes regarding the instructions**


**Symbols**


 **Warning of electrical voltage**  
This symbol indicates dangers to the life and health of persons due to electrical voltage.

 **Warning**  
This signal word indicates a hazard with an average risk level which, if not avoided, can result in serious injury or death.

 **Caution**  
This signal word indicates a hazard with a low risk level which, if not avoided, can result in minor or moderate injury.

**Note**  
This signal word indicates important information (e.g. material damage), but does not indicate hazards.

 **Info**  
Information marked with this symbol helps you to carry out your tasks quickly and safely.

 **Follow the manual**  
Information marked with this symbol indicates that the instructions must be observed.



**Follow the manual**

Information marked with this symbol indicates that you should wear breathing protection.

You can download the current version of the instructions and the EU declaration of conformity via the following link:



Zerozon 200



<https://hub.trotec.com/?id=44673>

**Safety**

**Read this manual carefully before starting or using the device. Always store the manual in the immediate vicinity of the device or its site of use.**



**Warning**

**Read all safety warnings and all instructions.** Failure to follow the warnings and instructions may result in electric shock, fire and/or serious injury. **Save all warnings and instructions for future reference.**

This appliance can be used by children aged from 8 years and above and persons with reduced physical, sensory or mental capabilities or lack of experience and knowledge if they have been given supervision or instruction concerning use of the appliance in a safe way and understand the hazards involved.

Children shall not play with the appliance. Cleaning and user maintenance shall not be made by children without supervision.

- Do not use the device in potentially explosive rooms or areas and do not install it there.
- Do not use the device in aggressive atmosphere.
- Do not operate the device near open fire or gas appliances.
- Only put up the device in an upright, stable position on firm ground.
- Let the device dry out after a wet clean. Do not operate it when wet.
- Do not use the device with wet or damp hands.
- Do not expose the device to liquids as it is not protected against splash water.
- Never insert any objects or limbs into the device.
- Do not cover the device during operation.
- Do not sit on the device.

- This appliance is not a toy. Keep away from children and animals. Do not leave the device unattended during operation.
  - Check accessories and connection parts for possible damage prior to every use of the device. Do not use any defective devices or device parts.
  - Ensure that all electric cables outside of the device are protected from damage (e.g. caused by animals). Never use the device if electric cables or the power connection are damaged!
  - Insert the mains plug into a properly fused mains socket.
  - Observe the technical data when selecting extensions to the power cable. Completely unroll the extension cable. Avoid electrical overload.
  - Before carrying out maintenance, care or repair work on the device, remove the mains plug from the mains socket. Hold onto the mains plug while doing so.
  - Switch the device off and disconnect the power cable from the mains socket when the device is not in use.
  - Do not under any circumstances use the device if you detect damages on the mains plug or power cable. If the power cable is damaged, it must be replaced by the manufacturer, its service agent or similarly qualified persons in order to avoid a hazard.  
Defective power cables pose a serious health risk!
  - When positioning the device, observe the minimum distances from walls and other objects as well as the storage and operating conditions specified in the Technical annex.
  - Make sure that the air inlet and outlet are not obstructed.
  - Make sure that there are no loose items or dirt located in the immediate surroundings of air inlet and air outlet.
  - Do not remove any safety signs, stickers or labels from the device. Keep all safety signs, stickers and labels in legible condition.
  - Do not expose the device to heat or direct sunlight.
  - Make sure that the suction side is kept free of dirt and loose objects.
  - Dispose of replaced filters properly, especially after filtering substances hazardous to health.
  - Never use the device as storage place or footstep.
- Once the device has been started as well as during the cleaning process there must be neither people nor animals in the room to be cleaned. Also remove any plants.
  - Leave the room immediately as soon as the ozone generator and the oxygen regenerator have been started.
  - After completion of the cleaning process you must wait until the ozone concentration has dropped below a value of  $0.2 \text{ mg/m}^3$  before entering the room again. Check the present concentration by means of an ozone meter available for purchase from Trotec (Oz-One) or in a specialist shop. Wear an ozone respirator mask.
  - Make sure to seal off all openings of the room to prevent ozone from escaping to the environment.
  - Clearly indicate a room's ozone treatment for others and make sure that the room concerned cannot be accessed. Suitable warning signs may be obtained from Trotec.
  - Ensure a sufficient supply of fresh air and/or an appropriate air exhaust in the treated rooms once the process has been completed.

### Intended use

Only use the device for oxygen regeneration in interior spaces if the respective rooms have been previously treated with ozone. Always comply with the technical data and safety instructions.

The device may only be used in the commercial sector and in the industry.

The device may only be used by especially trained expert staff.

### Foreseeable misuse

- Do not use the device as private individual or at home / in a domestic environment.
- Do not place the device on wet or flooded ground.
- Do not place any objects, e.g. clothing, on the device.
- Do not use the device out of doors.
- Do not use the device to siphon off vapours or fluids.
- Any use other than the intended use is regarded as a reasonably foreseeable misuse.
- Any unauthorised modifications, alterations or structural changes to the device are forbidden.

### Personnel qualifications

People who use this device must:

- have been trained in handling the device and be aware of the dangers that occur when working with the oxidising agent ozone.
- have read and understood the instructions, especially the Safety chapter.

### Specific safety warnings for the operation of ozone generators

The device is used for oxygen regeneration after the application of ozone in interior spaces. Ozone is a gas that – due to its oxidative characteristics – can cause severe health damage if inhaled. Direct exposure to and intake of ozone is toxic for humans, animals and plants. For this reason the following safety measures must be observed by all means:

## Residual risks



### Warning of electrical voltage

Work on the electrical components must only be carried out by an authorised specialist company!



### Warning

Dangers can occur at the device when it is used by untrained people in an unprofessional or improper way! Observe the personnel qualifications!



### Warning

The device is not a toy and does not belong in the hands of children.



### Warning

Risk of suffocation!  
Do not leave the packaging lying around. Children may use it as a dangerous toy.



### Warning

#### Risk of injury caused by inhalation of ozone!

The following symptoms could be indicative of poisoning or an irritation caused by ozone:

- eye irritations – conjunctivitis, stinging and watering eyes
- strong urge to cough
- shortness of breath – chest tightness
- pain while inhaling
- dizziness, light-headedness
- headache
- feeling of faintness

Exit the room to be cleaned immediately after the device has been switched on.

Do not enter the room whilst the air purification is in progress.

Should you experience one or more of the above symptoms relating to the use of the odour neutraliser, seek medical treatment immediately!

### Note

Do not operate the device without an air filter inserted into the air inlet!

Without the air filter, the inside of the device will be heavily contaminated. This could reduce the performance and result in damage to the device.

### Note

Do not use abrasive cleaners or solvents to clean the device.

## Behaviour in the event of an emergency

1. In an emergency, disconnect the device from the mains feed-in: Hold onto the mains plug while pulling the power cable out of the mains socket.
2. In an emergency only enter the room to be cleaned wearing a respirator mask fitted with ozone filter and ensure a sufficient supply of fresh air.
3. Do not reconnect a defective device to the mains.

## Information about the device

### Device description

The device is an oxygen regenerator that strongly accelerates the ozone decay in the room by means of a filter set after the room has been treated with ozone.

Oxygen regeneration effects a depletion process up to 10 times faster than the natural ozone decay.

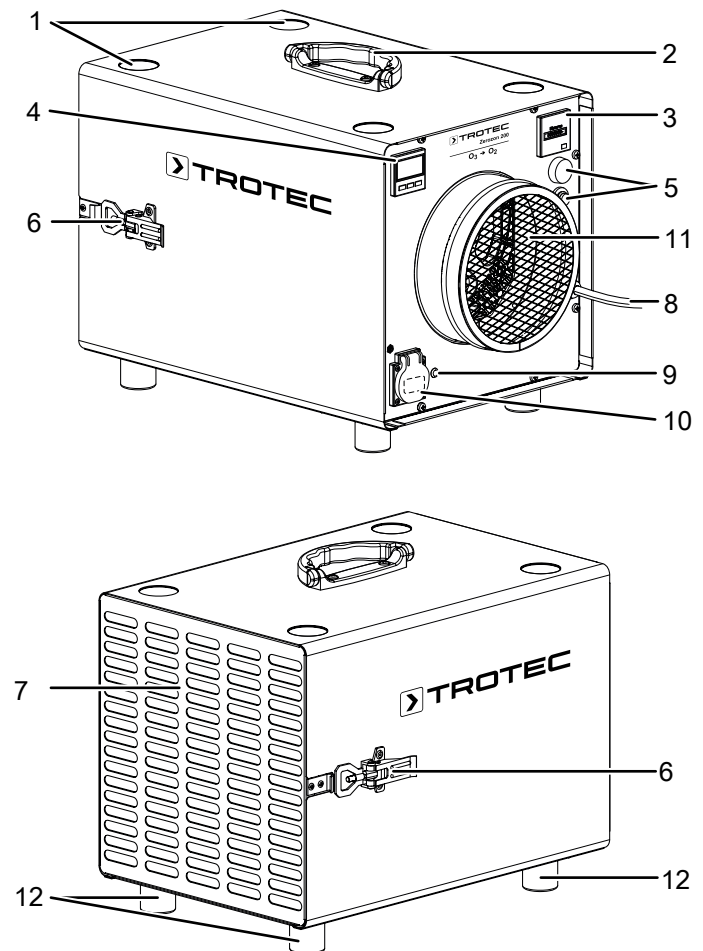
The device is operated via a control panel at the device.

The device can be used independently as well as in combination with an ozone generator from Trotec. The devices must be set up in the room at the same time. This way, the Zerozon 200 can start the ozone depletion after the room has been treated with ozone. Ozone generator and oxygen regenerator can be connected to each other via a power cable.

The treatment duration of the ozone generator is set with the integrated timer. After the timer of the ozone generator has stopped, the oxygen regenerator starts automatically. The device is also equipped with an operating hours counter to keep track of how long the filter has been in use.

Thanks to its compact dimensions and the transport handle, the device can be transported conveniently.

### Device depiction



No.	Designation
1	Stacking aid
2	Transport handle
3	Operating hours counter
4	Timer switch
5	Operating elements
6	Tension lock
7	Air outlet
8	Power cable
9	Operating light mains socket
10	Mains socket for separate connection
11	Air inlet
12	Feet

## Transport and storage

### Note

If you store or transport the device improperly, the device may be damaged.

Note the information regarding transport and storage of the device.

### Transport

To make the device easier to transport, it is fitted with a carry handle.

**Before** transporting the device, observe the following:

- Switch the device off.
- Hold onto the mains plug while pulling the power cable out of the mains socket.
- If the device was previously in use, wait until the end of the calculated regeneration period (see Shutdown chapter) before transporting the device.
- Do not use the power cable to drag the device.
- During transport, protect the device against shifting and vibrations to avoid electrode damage.

**After** transporting the device, proceed as follows:

- Set up the device in an upright position after transport.

### Storage

When the device is not being used, observe the following storage conditions:

- dry and protected from frost and heat
- in an upright position where it is protected from dust and direct sunlight
- with a cover to protect it from invasive dust, if necessary

## Assembly and start-up

### Scope of delivery

- 1 x Device
- 1 x Filter set
- 1 x Manual

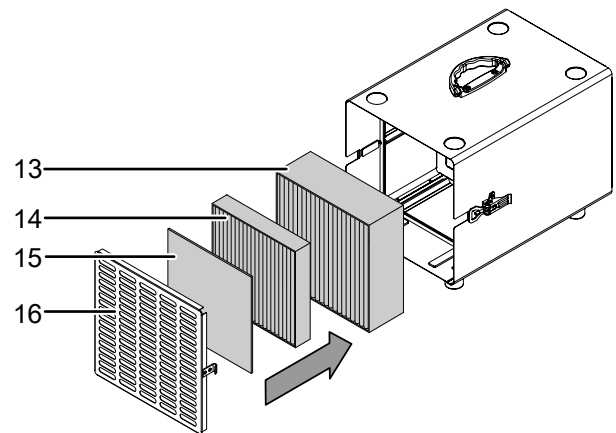
### Unpacking the device

1. Open the cardboard box and take the device out.
2. Completely remove the packaging.
3. Fully unwind the power cable. Make sure that the power cable is not damaged and that you do not damage it during unwinding.

## Assembly

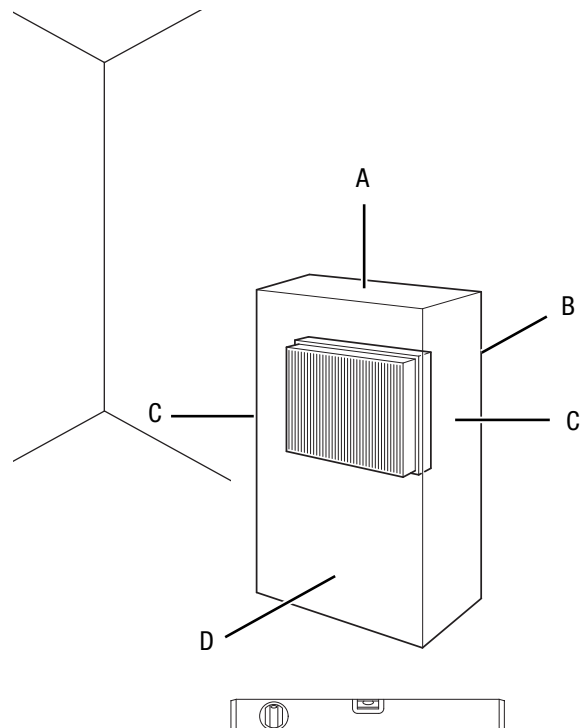
### Inserting the filters

1. Open the tension locks (6) on both sides of the device.
2. Remove the front cover (16).
3. For all filter installations always observe the correct flow direction according to the direction of the air current.  
⇒ The flow direction is marked with an arrow on the filter.
4. Insert filter unit 1 (13) into the device.
5. Insert filter unit 2 (14) into the device.
6. Insert the filter fleece (15) into the device.
7. Refit the cover (16).
8. Close the tension locks (6).



### Start-up

When positioning the device, observe the minimum distance from walls or other objects as described in the chapter Technical annex.

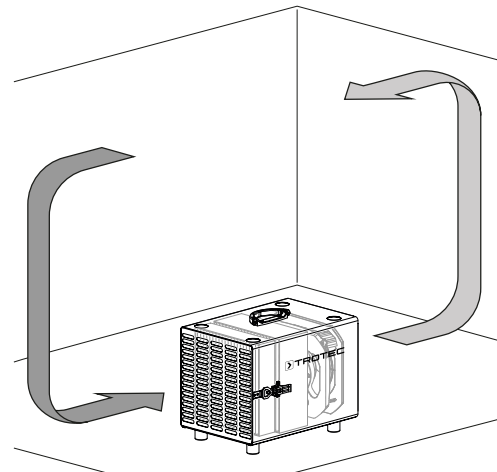


- Before restarting the device, check the condition of the power cable. If there are doubts as to the sound condition, contact the customer service.
- Only put up the device in an upright, stable position on firm ground.
- Make sure the device is only placed on firm, dry and vibration-free ground.
- Position the device as close as possible to the centre of the room to ensure an optimum air circulation.
- When positioning the device, keep a sufficient distance to heat sources.
- Make sure that no curtains or other objects interfere with the air flow.
- Do not position the device near inflammable substances and gases.
- Make sure that the air inlet and outlet are not obstructed.
- Make sure that the device is protected from spray water.
- Do not create tripping hazards when laying the power cable or other electric cables, especially when positioning the device in the middle of the room. Use cable bridges.
- Make sure that extension cables are completely unrolled.
- The room temperature should be approx. 5 °C higher than the usual room temperature.

#### Installation of the device in the room, the air of which is to be purified

- When positioning the device, make sure it is located in the centre of the room in which the oxygen regeneration is to be performed.
- Prior to operation you have to ensure that the filters have been correctly installed in the device.
- The device works in recirculation mode, this means that the air enters the device via the air inlet opening and is blown out through the air outlet opening.

*Air circulation in sealed off area via air circulation:*

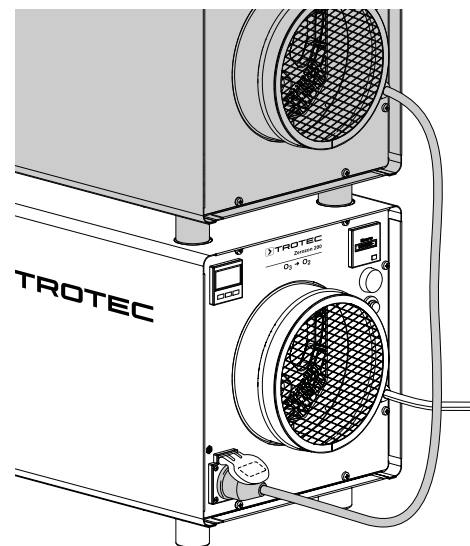


#### Setting up the device in combination with an ozone generator (Airozon Professional series) as a master-slave solution

The device can be used independently or in combination with an ozone generator (e.g. Airozon 20000).

Connect the ozone generator to the mains socket of the separate connection (10).

The stacking aid (1) allows a suitable ozone generator (e.g. Trotec Airozon 20000) to be stacked directly on the Zerozon 200.



#### Connecting the power cable

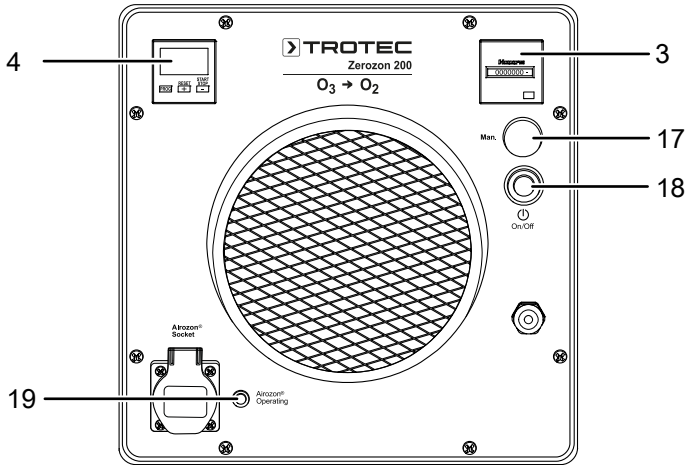
- Insert the mains plug of the Zerozon 200 into a properly secured mains socket located outside of the room to be cleaned. This enables you to switch the device off in case of an emergency without having to access the room.

**Operation**

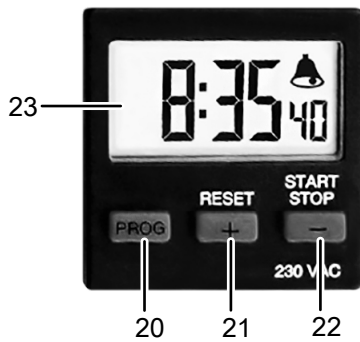
**Note**

Avoid open doors and windows.

**Operating elements**



**Timer switch**



No.	Designation	Description
19	<i>Airozon Operating LED</i>	Is illuminated when the connected ozone generator is supplied with power
20	<i>PROG button</i>	Selecting the setting mode and the individual display indications
21	<i>RESET (+) button</i>	- reset to start time of timer - (+) selection mode = increase time
22	<i>START/ STOP (-) button</i>	- starting and stopping the timer (-) selection mode = decrease time
23	<i>Display</i>	- indicates the set time of the timer (hours:minutes seconds) - bell symbol flashes when timer expires



**Warning**

Risk of injury caused by ozone!  
Exit the room as soon as you have switched the device on so as to prevent contact with ozone.



**Warning**

**Risk of injury caused by inhalation of ozone!**  
The following symptoms could be indicative of poisoning or an irritation caused by ozone:  
- eye irritations – conjunctivitis, stinging and watering eyes  
- strong urge to cough  
- shortness of breath – chest tightness  
- pain while inhaling  
- dizziness, light-headedness  
- headache  
- feeling of faintness  
Exit the room to be cleaned immediately after the device has been switched on.  
Do not enter the room whilst the air purification is in progress.  
Should you experience one or more of the above symptoms relating to the use of the odour neutraliser, seek medical treatment immediately!

No.	Designation	Description
3	Operating hours counter	Indicates the total operating hours
4	Timer switch	Setting the treatment duration: 0 – 100 hours (ozone generation begins 1 minute after activation)
17	<i>Man. button</i>	-starts the manual oxygen regeneration - illuminated when the device is in operation
18	<i>On/Off button</i>	- for switching the device on and off - is illuminated when the device is switched on

**Switch-on / switch-off**

If possible, set up the device with a Trotec ozone generator in the room to be treated. The two devices can be connected and then started one after the other (see Use in combination with an ozone generator).

To switch the device on or off without the ozone generator, please proceed as follows:

1. Press the *On/Off* button (18).
2. Press the *Man.* button. (17).  
⇒ The device starts the oxygen regeneration process.
3. Press the *On/Off* button (18) again to switch the device off.



## Use in combination with an ozone generator

Please proceed as follows to start the device in combination with the Trotec ozone generator:

1. Seal off all openings of the room to be cleaned. It must be accomplished in a way to prevent ozone from escaping to the environment.
2. Attach warnings that indicate the presence of high ozone concentrations and the related hazards.
3. Make sure that neither humans nor animals are situated in the room to be cleaned.
4. Place the Zerozon 200 and the ozone generator in the centre of the room.
5. Connect the power cable of the Zerozon 200 and insert the mains plug into a properly secured mains socket located outside of the room to be cleaned.
6. Set the desired ozone treatment duration by means of the timer (see Setting the treatment duration).
7. Press the *START/STOP (-)* button (22).
  - ⇒ The mains socket of the separate connection (10) is switched on and the connected device is supplied with power.
  - ⇒ The *Airozon Operating* LED (19) is illuminated.
8. Switch on the ozone generator and set the desired treatment duration here as well (see operating manual for the ozone generator).
9. Exit the room directly after having started the device.
  - ⇒ Air purification will commence immediately.
  - ⇒ The ozone generator operates until the set time on the Zerozon has elapsed.
  - ⇒ After that, the *Airozon Operating* LED (19) goes out and the ozone generator is de-energized.
  - ⇒ The oxygen regenerator now operates continuously until it is shut down.

## Setting the treatment duration

Using the timer (4) of the Zerozon 200 you can set the treatment duration of the ozone generator to a period from 0 to 99 hours. After this time has elapsed, the ozone generator switches off and the Zerozon 200 automatically starts with the oxygen regeneration process.

The timer is equipped with three buttons for setting the treatment duration (button 20–22).

Ozone will only be emitted after one minute if the timer is activated.

## Time units

You can choose between minutes, hours and seconds. Please proceed as follows to set the timer:

1. Press the *PROG* button (20) to activate the display.
  - ⇒ The hour display flashes in the timer display.
2. Press the *RESET (+)* button (21) or the *START/STOP (-)* button (22) to increase or decrease the number of hours.
3. Press the *PROG* button (20) to adjust the minutes.
  - ⇒ The minute indication flashes on the display.
4. Press the *RESET (+)* button (21) or the *START/STOP (-)* button (22) to increase or decrease the number of minutes.
5. Press the *PROG* button (20) to set the number of seconds.
6. Press the *RESET (+)* button (21) or the *START/STOP (-)* button (22) to increase or decrease the number of seconds.
7. If you press the *PROG* button (20) again, the timer switches back to the timer mode.
8. If you press the *START/STOP (-)* button (22) afterwards, the timer starts running.
  - ⇒ The timer is activated.
  - ⇒ The display indication is minimised and a bell symbol flashes on the display.
  - ⇒ The ozone generation starts after one minute.
  - ⇒ Once the set time on the timer has expired, 2 signal sounds will be emitted. The previously set time is shown on the display indication.
9. If you press the *START/STOP (-)* button (22) while the timer is running, the timer will stop prematurely.
10. Press the *RESET (+)* button (21) to set the timer back to the previously set time.



### Info

If you press the *START/STOP (-)* button (22) if the timer indication is 00:00 00, the bell symbol will flash on the display. The timer remains deactivated until you press the *START/STOP (-)* button (22) again.

## Resetting the timer

You can reset the timer by simultaneously and briefly pressing the *PROG* (20), *RESET (+)* (21) and *START/STOP (-)* (22) buttons.

The timer will switch back to 00:00:00.

## System reset timer

You can carry out a system reset by simultaneously and briefly pressing the *PROG* (20), *RESET (+)* (21) and *START/STOP (-)* (22) buttons for 3 seconds.

## Recording of the operating time

The operating hours counter (3) indicates the duration the device has already been in operation.

The number of elapsed operating hours can be used for the calculation of the energy consumption. Use the following formula:

$0.11 \text{ kW/h} \times \text{operating hours}$ .

The result will be no more than an approximate value of the average consumption. For the precise determination of the current consumption you can additionally install an ammeter between device and energy source.

## Shutdown



### Warning

Risk of injury caused by ozone!  
Have especially trained staff check the ozone concentration before entering the room and permitting others to access it.



### Warning

Wear a respirator mask with ozone filter when you check whether the ozone concentration has decreased sufficiently by means of a suitable measuring device.

When combined with an ozone generator, the device has been designed a way that the ozone generator is automatically switched off after the set time has elapsed. A corresponding function was integrated by way of a timer.

Switch off the device by actuating the *On/Off* button (18).

## Available accessories



### Warning

Only use accessories and additional equipment specified in the instructions.  
Using insertion tools or accessories other than those specified in the instructions may cause a risk of injury.

Designation	Article number
Filter set	7.710.000.392
Ozone warning sign	ZZ7000275
Oz-One (ozone meter)	3.510.006.110

## Errors and faults

The device has been checked for proper functioning several times during production. If malfunctions occur nonetheless, check the device according to the following list.

### The device does not start:

- Check the power connection.
- Check the power cable and mains plug for damage.
- Check the on-site fusing.
- Wait for 10 minutes before restarting the device. If the device is not starting, have the electrics checked by a specialist company or by Trotec.

### The device is loud or vibrates:

- Check whether the device is set up in a stable and upright position.

### The device gets very warm, is loud or is losing performance:

- Check the air inlets and air filters for dirt. Remove external dirt.

### The device gives off an unpleasant odour:

- Smoke, e.g. dense tobacco smoke, odours and contaminations may be in the air. Ventilate the room.

### The device still does not operate correctly after these checks:

Please contact the customer service. If necessary, bring the device to an authorised specialist electrical company or to Trotec for repair.

## Maintenance

## Maintenance intervals

Maintenance and care interval	before every start-up	as needed	at least every 2 weeks	at least every 4 weeks	at least annually	at least every 2 years
Check air inlets and outlets for dirt and foreign objects and clean if necessary	X			X		
Clean the exterior		X			X	
Visually check the inside of the device for dirt		X			X	
Replace the activated carbon filter					X	
Check prefilter fleece and clean or replace if necessary				X		
Check for damage	X					
Test run					X	

## Maintenance and care log

Device type: .....

Device number: .....

Maintenance and care interval	1	2	3	4	5	6	7	8	9	10	11	12	13	14	15	16
Check air inlets and outlets for dirt and foreign objects and clean if necessary																
Clean the exterior																
Visually check the inside of the device for dirt																
Replace the activated carbon filter																
Check prefilter fleece and clean or replace if necessary																
Check for damage																
Test run																

1. Date: ..... Signature: .....	2. Date: ..... Signature: .....	3. Date: ..... Signature: .....	4. Date: ..... Signature: .....
5. Date: ..... Signature: .....	6. Date: ..... Signature: .....	7. Date: ..... Signature: .....	8. Date: ..... Signature: .....
9. Date: ..... Signature: .....	10. Date: ..... Signature: .....	11. Date: ..... Signature: .....	12. Date: ..... Signature: .....
13. Date: ..... Signature: .....	14. Date: ..... Signature: .....	15. Date: ..... Signature: .....	16. Date: ..... Signature: .....

**Activities required before starting maintenance**



**Warning of electrical voltage**

Do not touch the mains plug with wet or damp hands.

- Make sure that the device is switched off.
- Hold onto the mains plug while pulling the power cable out of the mains socket.



**Warning**

**Risk of injury caused by inhalation of ozone!**

After the device has stopped operating, wait until the end of the calculated regeneration period (see Shutdown chapter) to make sure that the ozone concentration has fallen below the stipulated value before performing maintenance and cleaning work.

Care and maintenance must be performed on a regular basis to ensure the proper functioning and failure-free operation of the device.

The type and frequency of the maintenance tasks fundamentally depends on the operating environment as well as on the duration and type of use.

In the course of using the device, dust and moisture can accumulate in or on the components which may compromise functionality and efficiency.

In rooms with a high volume of dust and dirt or after fire damage restorations (high moisture level) you should already check the need for maintenance after only a few applications.

In dry surroundings e.g. hotels or as part of car valeting one can assume a maintenance rate of several months.

**Criteria for determining the maintenance interval**

Device operation takes place:

- frequently and several hours at a time
- on many days per month
- in excessively dirty surroundings
- in humid rooms

Regardless of the described operating conditions you should perform maintenance work if one or more of the following signs become apparent:

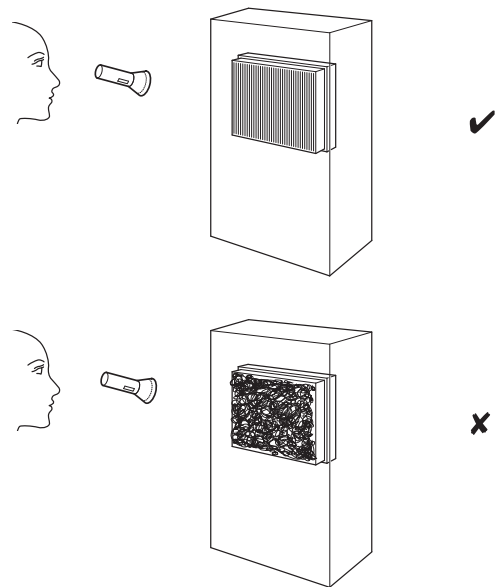
- increased noise level during operation of the fan
- heavily contaminated air filter
- dirty electrode (recognizable by: The hissing sound produced during ozone generation dies away.)

**Cleaning the housing**

Clean the housing with a soft, damp and lint-free cloth. Make sure that no moisture enters the housing. Protect electrical components from moisture. Do not use any aggressive cleaning agents such as cleaning sprays, solvents, alcohol-based or abrasive cleaners to dampen the cloth.

**Visual inspection of the inside of the device for dirt**

1. Remove the air filters.
2. Use a torch to illuminate the openings of the device.
3. Check the inside of the device for dirt.
4. If you see a thick layer of dust, clean the inside of the device with a vacuum cleaner.
5. Reinsert the air filters.

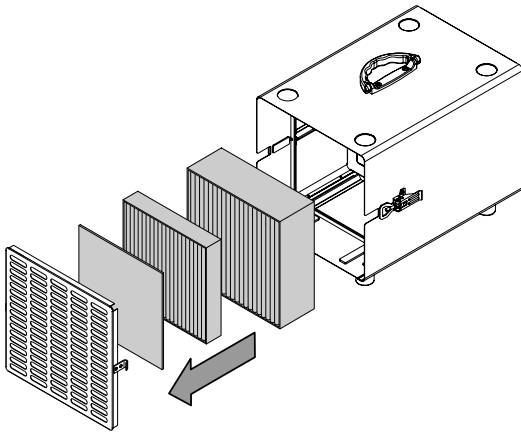


## Cleaning

In addition to the inspection of the device and its components for proper condition you should also ensure thorough cleaning as part of the regular maintenance activities. To do so, please proceed as described below.

### Cleaning the interior

1. Open the tension lock on the device.
2. Remove the cover and air filter from the device.



3. Clean the inside of the device with a soft, damp and lint-free cloth. Ensure that no moisture enters the housing. Protect electrical components from moisture. Do not use any aggressive cleaning agents such as cleaning sprays, solvents, alcohol-based or abrasive cleaners to dampen the cloth.
4. Change the filters if they are soiled (see chapter Changing the filters).
5. Clean the filter fleece by tapping it or by vacuuming it off.
6. After inserting the filters, place the cover on the device and close it with the tension lock.

### Changing the filter(s)

The filters must be replaced if they become soiled.

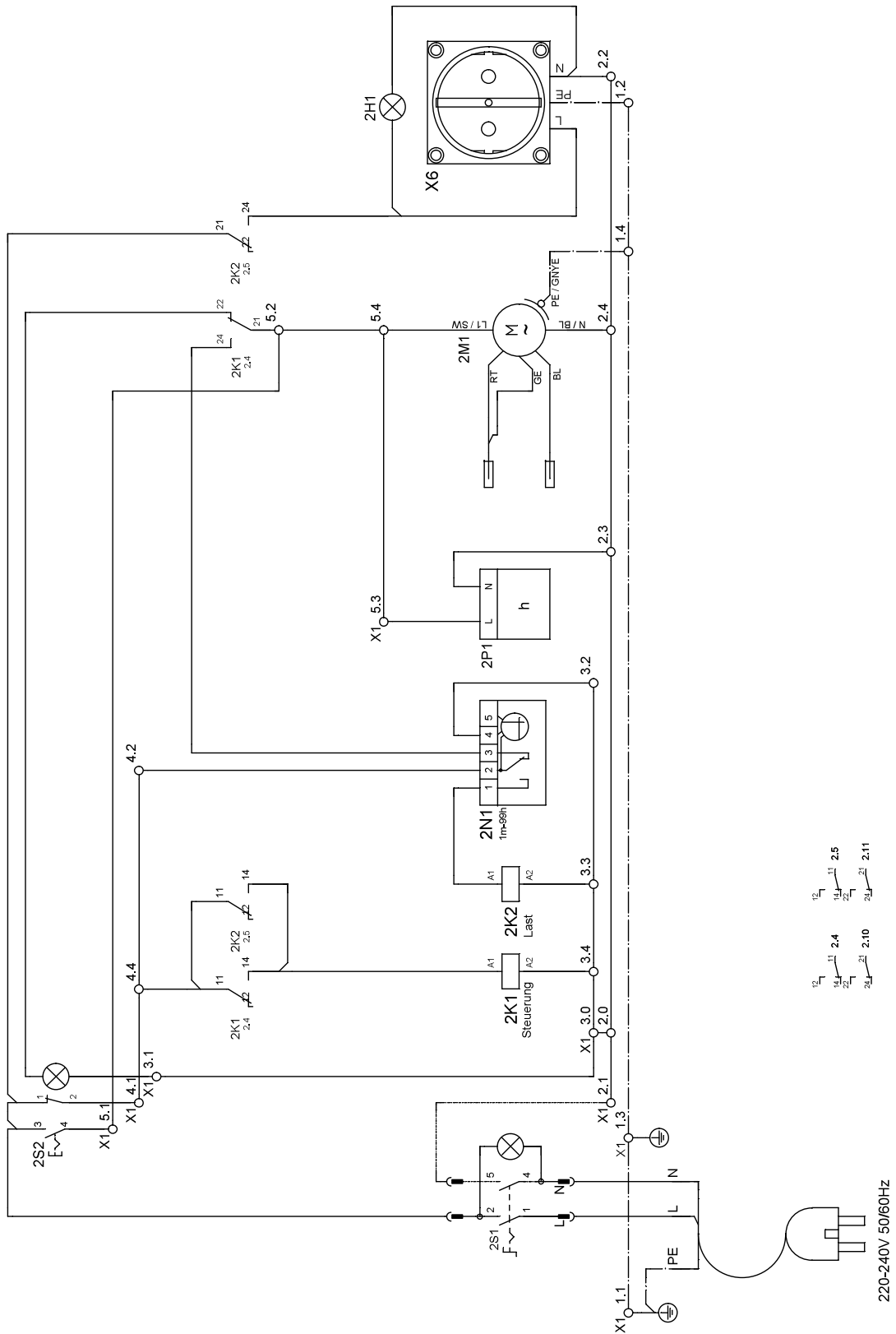
After removing the filters, proceed as described in the chapter Assembly and start-up under Inserting filters.

## Technical annex

### Technical data

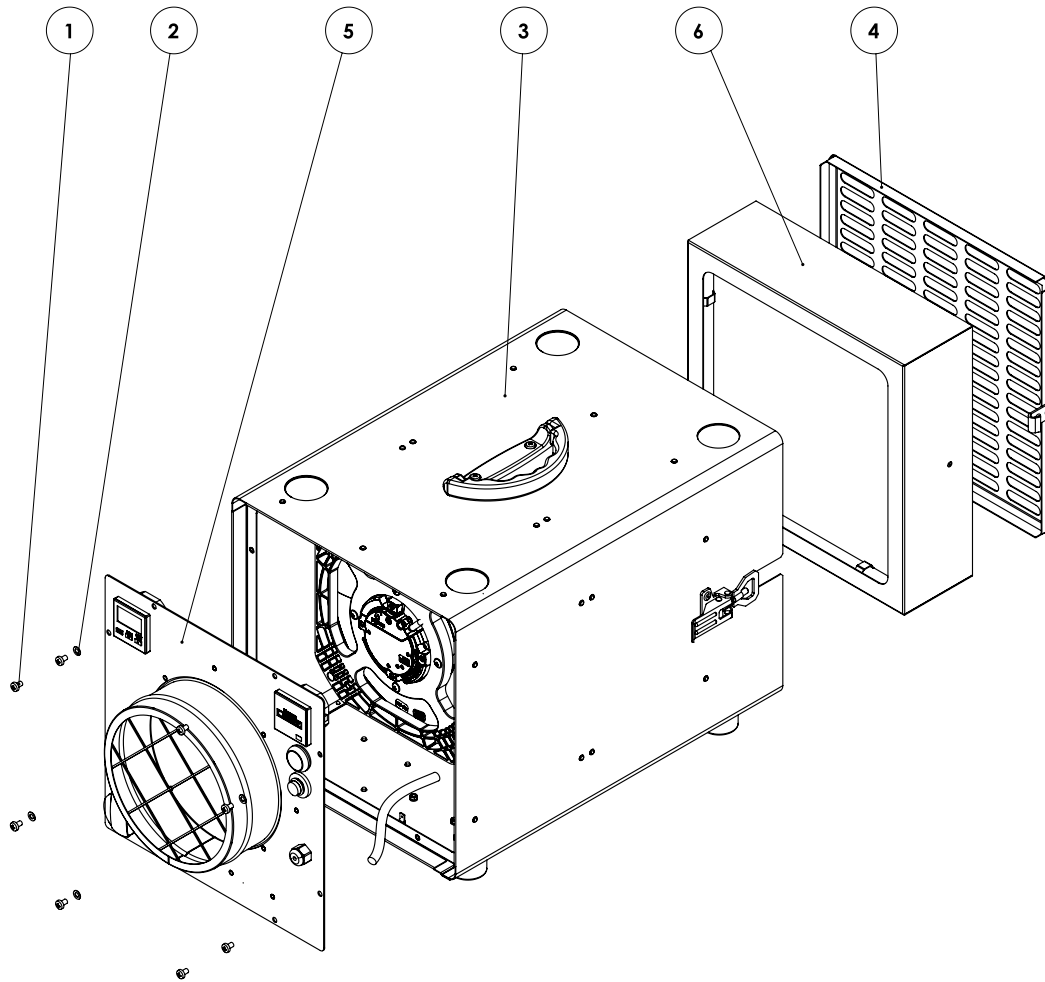
Parameter	Value
<b>Model</b>	<b>Zerozon 200</b>
Electric connection	220 V – 240 V
Frequency	50/60 Hz
Max. nominal current	0.8 A
Max. power input	175 W
Air flow rate	680 m <sup>3</sup> /h
Sound pressure level (at a distance of 3 m)	62 dB(A)
Dimensions (depth x width x height)	547 x 370 x 400 mm
Weight	15 kg
Minimum distance to walls and other objects:	top (A): 50 cm rear (B): 50 cm sides (C): 50 cm front (D): 50 cm

**Wiring diagram**



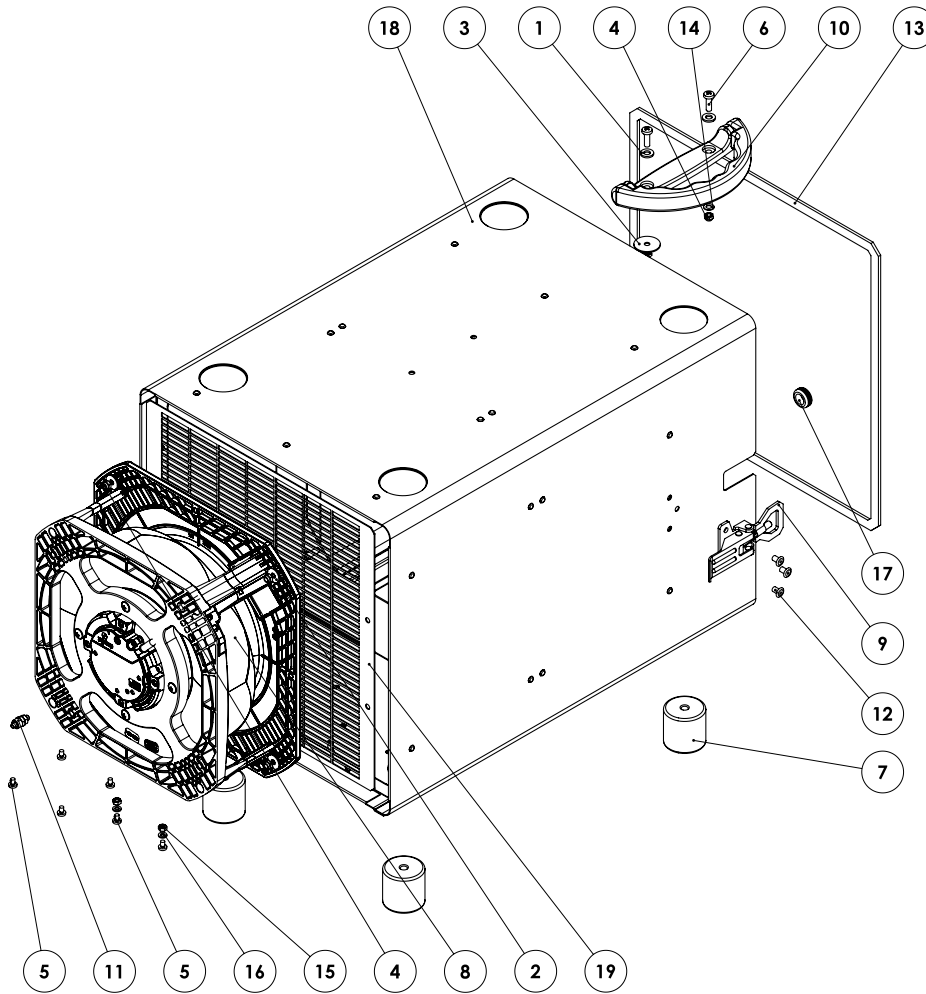
## Overview and list of spare parts

**Note:** The position numbers of the spare parts differ from those describing the positions of the components mentioned in these instructions.



Item	Designation	Item	Designation
1	Screw (Liko cross recessed raised cheese head screw DIN 7985 – M 5 x 8, black)	4	Inlet (Z-LO-200-inlet-01)
2	Detent-edged washer (SKK5, Ø5.3 x Ø10 x 1.25)	5	Front panel outlet (Z-LO-200-outlet-01)
3	Basic housing (Z-LO-200-basic-housing-01)	6	Filter (Z-LO-200-filter-01)

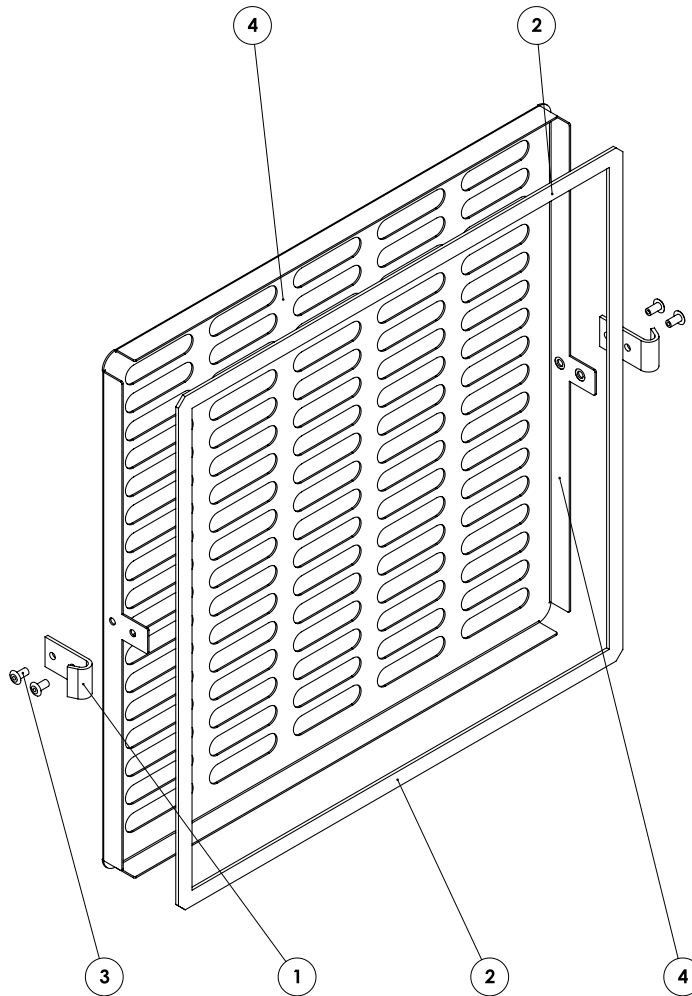
**Note:** The position numbers of the spare parts differ from those describing the positions of the components mentioned in these instructions.



Item	Designation	Item	Designation
1	Washer (DIN 125 – A Ø6.4)	11	Bolting (11.105--6(Ø), M5)
2	Washer (DIN 9021 - Ø5.3 x Ø15 x 1.2)	12	Rivet (Ø4.8 x 8)
3	Washer (HN 5010-Ø25 x Ø5.3 x L1.2 VA)	13	Self-adhesive sealing tape (EPDM, 10 x 3mm L=1340mm)
4	Self-locking hexagon nut (DIN 985 – M 5)	14	Detent-edged washer (SKK5, Ø5.3 x Ø10 x 1.25)
5	Screw (Liko cross recessed raised pan head screw, DIN 7985 – M 4 x 6)	15	Hexagon nut (DIN 934 – M 4)
6	Screw (Liko cross recessed raised pan head screw, DIN 7985 – M 5 x 16)	16	Detent-edged washer (SKK 4, Ø4.3 x Ø8.2 x 1.2<)
7	Rubber buffer (40 x 40 x M8 Type E, grey, non-colouring)	17	Sealing plug (Ø19 x Ø16 x Ø11 x 1.5 x L8)
8	Fan (K3G220RD2103)	18	Basic housing (K-basic-housing, stainless steel, SBG-01879-04)
9	Spring tension element (GN 831.1-110-NI part 1/2)	19	Finger protection (K-finger-protection-02428-01)
10	Handle (4245–L165mm; foldable)		

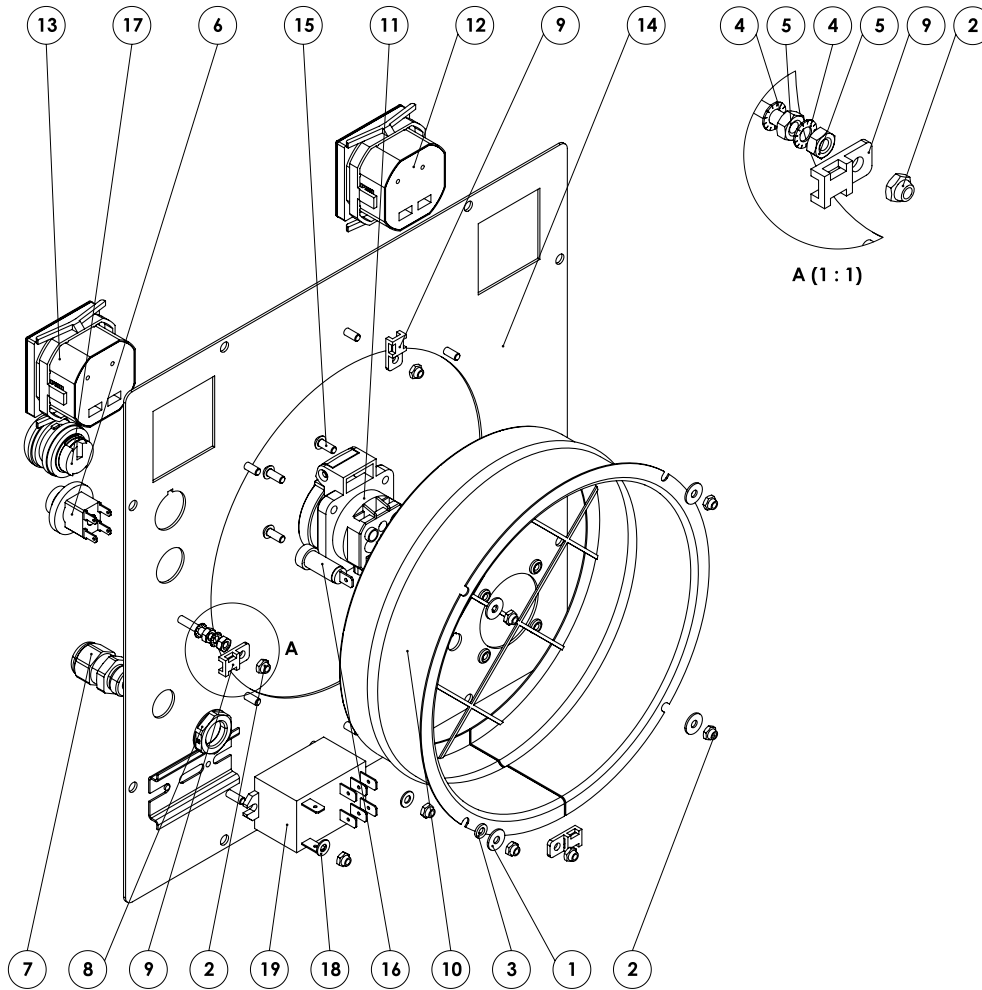


**Note:** The position numbers of the spare parts differ from those describing the positions of the components mentioned in these instructions.



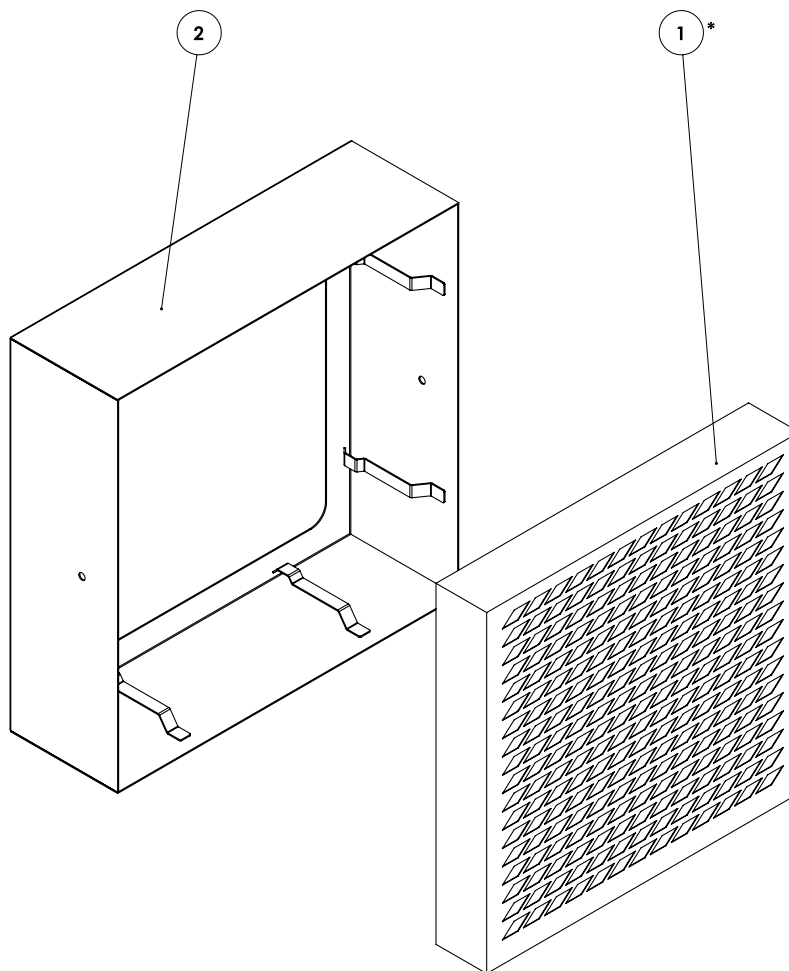
Item	Designation	Item	Designation
1	Spring tension element (strike plate for lock part 2/2 included in P10006576)	3	Rivet (Ø4.8 x 8 Al)
2	Self-adhesive sealing tape (EPDM, 10 x 2mm L=1320mm)	4	Front panel – inlet (K front panel – inlet-02488-01)

**Note:** The position numbers of the spare parts differ from those describing the positions of the components mentioned in these instructions.



Item	Designation	Item	Designation
1	Washer (DIN 9021 - Ø4.3 x Ø12x1)	11	Built-in socket (DOM Pnova+ black)
2	Self-locking hexagon nut (DIN 985 – M 4)	12	Timer (Tc24.21-48 x 48, 99 h max.)
3	Detent-edged washer (SKK 4, Ø4.3 x Ø8.2 x 1.2)	13	Operating hours counter (H 57-48 x 48)
4	Serrated lock washer (DIN 6798 – A Ø4.3)	14	Front panel – outlet (stainless steel, K-front-panel-outlet, SBG-02484-01)
5	Hexagon nut (DIN 934 – M 4)	15	Allen screw (Liko DIN 7380 – M 4 x 10, black)
6	Switch (SB53-N-2-16(6A)125/250VAC – green)	16	Signal lamp (green LED)
7	Cable bushing (M16 x 1.5 UL black)	17	Switch (push button, flat, white, latching, illuminated)
8	Lock nut (M16.5 x 1.5 UL black)	18	Washer (DIN 125 – A Ø4.3)
9	Cable tie mounts (screwable, 10.2x20.5, white)	19	Relais (66.82.8.230.0000)
10	Spigot (DN 197)		

**Note:** The position numbers of the spare parts differ from those describing the positions of the components mentioned in these instructions.



\* not included in the scope of delivery

Item	Designation	Item	Designation
1	Air filter 2 (296 x 296 x 48mm)	2	Prefilter frame (K-frame Prefilter, stainless steel, SBG-01882-01)

## Disposal



The icon with the crossed-out waste bin on waste electrical or electronic equipment stipulates that this equipment must not be disposed of with the household waste at the end of its life. You will find collection points for free return of waste electrical and electronic equipment in your vicinity. The addresses can be obtained from your municipality or local administration. You can also find out about other return options that apply for many EU countries on the website <https://hub.trotec.com/?id=45090>. Otherwise, please contact an official recycling centre for electronic and electrical equipment authorised for your country.

The separate collection of waste electrical and electronic equipment aims to enable the re-use, recycling and other forms of recovery of waste equipment as well as to prevent negative effects for the environment and human health caused by the disposal of hazardous substances potentially contained in the equipment.

## Declaration of conformity

Declaration of conformity in accordance with the EC Machinery Directive 2006/42/EC, Annex II, Part 1, Section A

We – Trotec GmbH – declare in sole responsibility that the product designated below was developed, constructed and produced in compliance with the requirements of the EC Machinery Directive in the version 2006/42/EC.

**Product model / Product:** Zerozon 200

**Product type:** oxygen regenerator

**Year of manufacture as of:** 2021

### Relevant EU directives:

- 2011/65/EU: 01/07/ 2011
- 2014/30/EU: 29/03/2014

### Applied harmonised standards:

- EN ISO 12100:2010
- EN ISO 13849-1:2015
- EN ISO 13857:2019
- EN ISO 14118:2018
- EN 55011:2016/A11:2020
- EN 60204-1:2018
- EN 60335-1:2012 + A13:2017
- EN 60335-2-65:2003/A11:2012
- EN 61000-6-1:2007
- EN 61000-6-3:2007+A11:2011+AC:2012

### Applied national standards and technical specifications:

- None

### Manufacturer and name of the authorised representative of the technical documentation:

Trotec GmbH

Grebberer Straße 7, D-52525 Heinsberg

Phone: +49 2452 962-400

E-mail: [info@trotec.de](mailto:info@trotec.de)

Place and date of issue:

Heinsberg, 19.07.2021

Detlef von der Lieck, Managing Director

Trotec GmbH

Grebener Str. 7  
D-52525 Heinsberg

☎ +49 2452 962-400

☎ +49 2452 962-200

[info@trotec.com](mailto:info@trotec.com)

[www.trotec.com](http://www.trotec.com)