

# AIRGOCLEAN® 350 E

**EN**

**INSTRUCTIONS**  
AIR CLEANER



**Table of contents**

**Information on the use of these instructions** ..... 2

**Safety** ..... 2

**Information about the device** ..... 4

**Transport and storage** ..... 5

**Assembly and start-up** ..... 6

**Operation** ..... 7

**Available accessories** ..... 10

**Errors and faults** ..... 10


**Maintenance** ..... 11


**Technical annex** ..... 15


**Disposal** ..... 15

**Information on the use of these instructions**


**Symbols**


 **Warning of electrical voltage**  
This symbol indicates dangers to the life and health of persons due to electrical voltage.

 **Warning**  
This signal word indicates a hazard with an average risk level which, if not avoided, can result in serious injury or death.

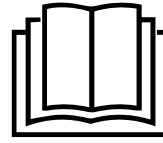
 **Caution**  
This signal word indicates a hazard with a low risk level which, if not avoided, can result in minor or moderate injury.

**Notice**  
This signal word indicates important information (e.g. material damage), but does not indicate hazards.

 **Info**  
Information marked with this symbol helps you to carry out your tasks quickly and safely.

 **Follow the manual**  
Information marked with this symbol indicates that the instructions must be observed.

You can download the current version of the instructions and the EU declaration of conformity via the following link:




AirgoClean® 350 E



<https://hub.trotec.com/?id=45127>

**Safety**

**Read this manual carefully before starting or using the device. Always store the manual in the immediate vicinity of the device or its site of use.**

-  **Warning**  
**Read all safety warnings and all instructions.** Failure to follow the warnings and instructions may result in electric shock, fire and/or serious injury. **Save all warnings and instructions for future reference.**
- This appliance can be used by children aged from 8 years and above and persons with reduced physical, sensory or mental capabilities or lack of experience and knowledge if they have been given supervision or instruction concerning use of the appliance in a safe way and understand the hazards involved. Children shall not play with the appliance. Cleaning and user maintenance shall not be done by children without supervision.
- Do not use the device in potentially explosive rooms or areas and do not install it there.
  - Do not use the device in an aggressive atmosphere.
  - Do not operate the device near open fire or gas appliances.
  - Place the device in an upright and stable position on horizontal and stable ground.
  - Let the device dry out after a wet clean. Do not operate it when wet.
  - Do not use the device with wet or damp hands.
  - Do not expose the device to directly squirting water.
  - Do not expose the device to liquids as it is not protected against splash water.
  - Never insert any objects or limbs into the device.
  - Do not cover the device during operation.
  - Do not sit on the device.
  - This appliance is not a toy. Keep away from children and animals.

- Check accessories and connection parts for possible damage prior to every use of the device. Do not use any defective devices or device parts.
- Ensure that all electric cables outside of the device are protected from damage (e.g. caused by animals). Never use the device if electric cables or the power connection are damaged!
- The mains connection must correspond to the specifications in the Technical annex.
- Insert the mains plug into a properly fused mains socket.
- Observe the technical data when selecting extensions to the power cable. Completely unroll the extension cable. Avoid electrical overload.
- Before carrying out maintenance, care or repair work on the device, remove the mains plug from the mains socket. Hold onto the mains plug while doing so.
- Switch the device off and disconnect the power cable from the mains socket when the device is not in use.
- Do not under any circumstances use the device if you detect damages on the mains plug or power cable. If the power cable is damaged, it must be replaced by the manufacturer, its service agent or similarly qualified persons in order to avoid a hazard. Defective power cables pose a serious health risk!
- When positioning the device, observe the minimum distances from walls and other objects as well as the storage and operating conditions specified in the Technical annex.
- Make sure that the air inlet and outlet are not obstructed.
- Make sure that there are no loose items or dirt located in the immediate surroundings of air inlet and air outlet.
- Do not remove any safety signs, stickers or labels from the device. Keep all safety signs, stickers and labels in legible condition.
- Do not expose the device to heat or direct sunlight.
- Make sure that the suction side is kept free of dirt and loose objects.
- Dispose of replaced filters properly, especially after filtering substances hazardous to health.
- Never use the device as storage place or footstep.
- Do not insert rechargeable batteries into the remote control.
- Never charge batteries that cannot be recharged.
- Different types of batteries and new and used batteries must not be used together.
- Insert the batteries into the battery compartment according to the correct polarity.
- Remove discharged batteries. Batteries contain materials hazardous to the environment. Dispose of the batteries according to the national regulations.
- Remove the batteries from the remote control if you will not be using the device for a longer period of time.
- Never short-circuit the supply terminal in the battery compartment!
- Do not swallow batteries! If a battery is swallowed, it can cause severe internal burns within 2 hours! These burns can lead to death!
- If you think batteries might have been swallowed or otherwise entered the body, seek medical attention immediately!
- Keep new and used batteries and an open battery compartment away from children.
- If the battery compartment does not close securely, stop using the product via the remote control.
- Do not use the automatic mode if the device is used for virus filtration.

### Intended use

Use the device for cleaning the air as well as for odour elimination (ionization) in interior spaces only whilst adhering to the technical data and safety instructions.

Any use other than the intended use is regarded as misuse.

### Reasonably foreseeable misuse

- Do not place the device on wet or flooded ground.
- Do not place any objects, e.g. clothing, on the device.
- Do not use the device out of doors.
- Do not use the device in bathrooms and rooms with a high humidity level.
- Do not use the device in rooms where large amounts of dust are produced, e.g. in production halls, workshops or on construction sites.
- Moreover, the integrated filter system is not suited for removing dusts that are potentially harmful to health (e.g. pollutants) from the air.
- Do not make any unauthorised modifications, alterations or structural changes to the device.

### Personnel qualification

People who use this device must:

- be aware of the dangers that occur when working with electrically driven air cleaners.
- have read and understood the instructions, especially the Safety chapter.

## Residual risks



### Warning of electrical voltage

Work on the electrical components must only be carried out by an authorised specialist company!



### Warning of electrical voltage

Before any work on the device, remove the mains plug from the mains socket!  
Do not touch the mains plug with wet or damp hands.  
Hold onto the mains plug while pulling the power cable out of the mains socket.



### Warning

Dangers can occur at the device when it is used by untrained people in an unprofessional or improper way! Observe the personnel qualifications!



### Warning

The device is not a toy and does not belong in the hands of children.



### Warning

Risk of suffocation!  
Do not leave the packaging lying around. Children may use it as a dangerous toy.

### Notice

Do not operate the device without an air filter inserted into the air inlet!  
Without the air filter, the inside of the device will be heavily contaminated. This can reduce the performance and result in damage to the device.

### Notice

Do not use abrasive cleaners or solvents to clean the device.

## Behaviour in the event of an emergency

1. Switch the device off.
2. Disconnect the device from the mains by removing the mains plug from the socket. When doing so, be sure to hold the plug, not the cable.
3. Do not reconnect a defective device to the mains.

## Information about the device

### Device description

The device serves to filter the room air with the aim of reducing slight and medium contaminations and odours in order to improve the air quality. It is equipped with a powerful fan sucking in the air. The air flows through the filter and is cleaned. Afterwards the fan releases the clean air back into the room.

The device contains a 2-in-1-filter on each side, consisting of a HEPA and carbon filter. Each 2-in-1 filter has a separate prefilter.

The prefilters (made of synthetic fibre) filter out large dust particles before the air flows into the HEPA filters. The device uses the HEPA filter to clean the air of bacteria, viruses, pollen, dust mite residues, mould fungus spores and other allergens.

The integrated HEPA carbon filters with activated carbon are effective against house dust, pet allergens, cigarette smoke, smog and particles which can carry smells and viruses.

The device is equipped with an air quality sensor to display the air quality and control air purification automatically.

The device is equipped with an automatic mode, night mode and turbo mode.

Additionally, the device comes with an ionization function. The released ions remove pollen, dust, viruses and bacteria from the room air. Thanks to this air purification method, the quality of the room air can be additionally improved.

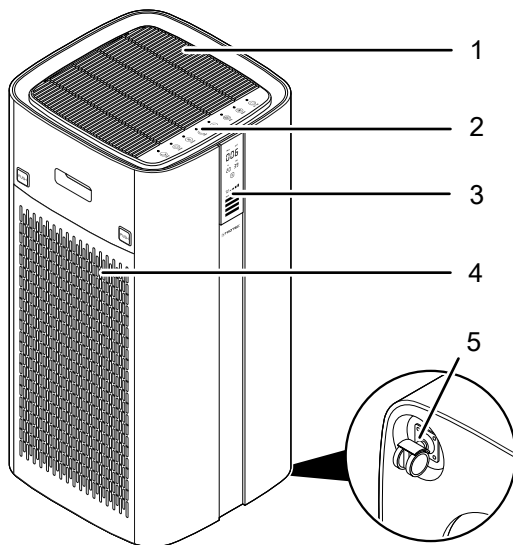
The four-stage fan (with turbo mode) and the uncomplicated, quick filter change ensure easy operation.

Thanks to its compact dimensions, the device can be transported conveniently. Due to its quiet operation, the device can also be used in rooms where people are present.

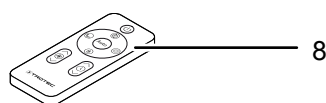
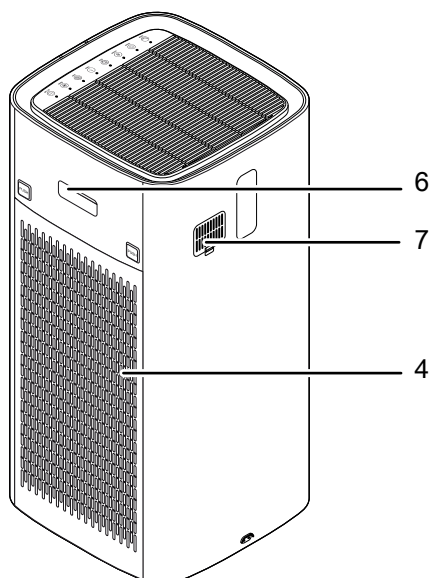
The device is equipped with a control panel for operation and a digital display for controlling the functions.

## Device depiction

### Front view



### Rear view



No.	Designation
1	Air outlet
2	Control panel
3	Segment display
4	Air inlet with prefilter and HEPA carbon filter
5	Wheel
6	Transport handle
7	Air quality sensor
8	Remote control

## Transport and storage

### Notice

If you store or transport the device improperly, the device may be damaged.

Note the information regarding transport and storage of the device.

### Transport

To make the device easier to transport, it is fitted with a carry handle.

To make the device easier to transport, it is fitted with wheels.

**Before** transporting the device, observe the following:

- Switch the device off.
- Disconnect the device from the mains by removing the mains plug from the socket. When doing so, be sure to hold the plug, not the cable.
- Do not use the power cable to drag the device.
- Only wheel the device on firm and level surfaces.

**After** transporting the device, proceed as follows:

- Set up the device in an upright position after transport.

### Storage

When the device is not being used, observe the following storage conditions:

- Store the device in a dry location and protected from frost and heat.
- Store the device in an upright position where it is protected from dust and direct sunlight.
- If required, use a cover to protect the device from invasive dust.
- Remove the batteries from the remote control.

## Assembly and start-up

### Scope of delivery

- 1 x Device
- 2 x HEPA carbon filter
- 2 x Prefilter
- 1 x Remote control (without batteries)
- 1 x Manual

### Unpacking the device

1. Open the cardboard box and take the device out.
2. Completely remove the packaging.
3. Fully unwind the power cable. Make sure that the power cable is not damaged and that you do not damage it during unwinding.

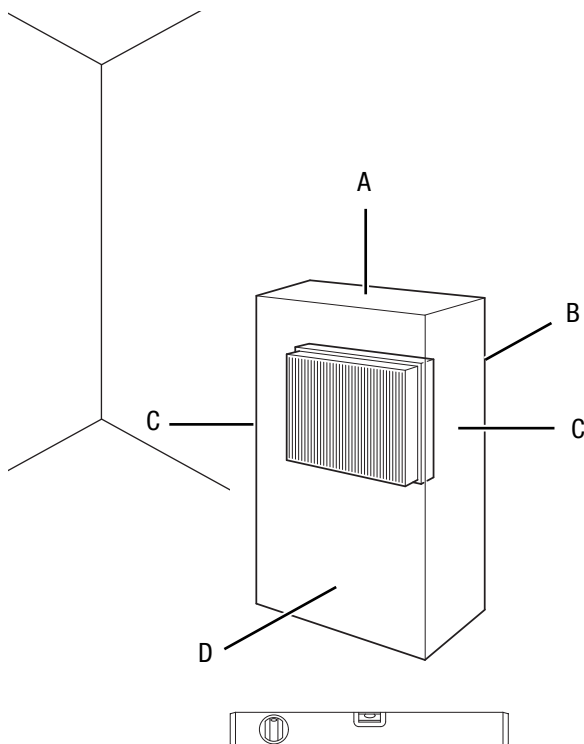
### Start-up

The HEPA carbon filters are pre-installed.

#### Notice

Remove the plastic cover from the HEPA carbon filters. To do so, please proceed as described in the chapter Changing the HEPA carbon filter.

When positioning the device, observe the minimum distance from walls or other objects as described in the chapter Technical annex.



- Before restarting the device, check the condition of the power cable. If there are doubts as to the sound condition, contact the customer service.
- Place the device in an upright and stable position on horizontal and stable ground.
- Do not create tripping hazards when laying the power cable or other electric cables, especially when positioning the device in the middle of the room. Use cable bridges.
- Ensure that the extension cables are completely unrolled.
- Position the device near the source of air contamination.
- When positioning the device, keep a sufficient distance to heat sources.
- Make sure that no curtains or other objects interfere with the air flow.
- Make sure that the air inlet and outlet are not obstructed.

### Inserting batteries into the remote control



#### Warning of electrical voltage

Do not touch the battery compartment with wet or damp hands.

#### Notice

Do not use rechargeable batteries!

Observe the Technical data for start-up.

1. Press the locking at the side of the battery compartment together and pull the battery compartment out of the remote control.
2. Insert a type CR 2032 battery into the battery compartment and slide the battery compartment back into the remote control.
  - ⇒ Make sure to insert the batteries into the battery compartment according to the correct polarity.

### Connecting the power cable

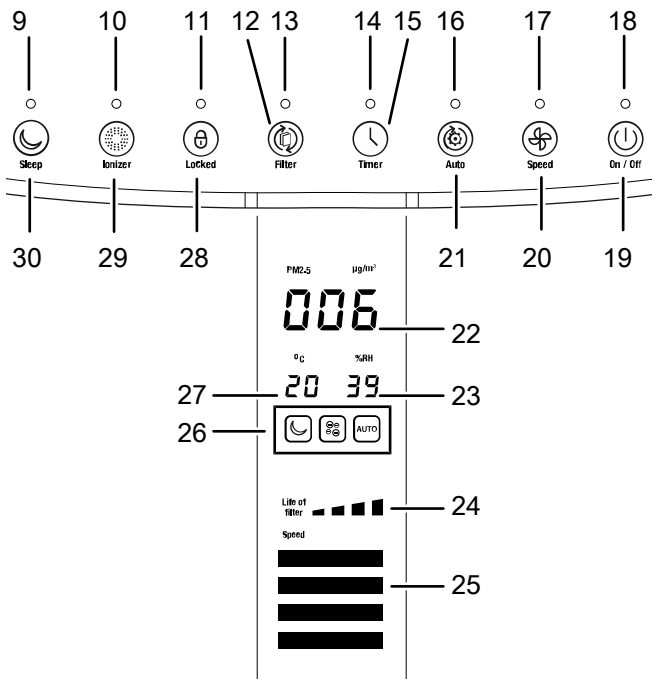
- Plug in the mains plug of the power cable at the back of the device.
- Connect the mains plug to a properly secured socket.

## Operation

### Notice

Avoid open doors and windows.

### Control panel



No.	Designation	Meaning
9	<i>Sleep</i> LED	Is illuminated when night mode is activated.
10	<i>Ionizer</i> LED	Is illuminated when ionization mode is activated.
11	<i>Locked</i> LED	Is illuminated when the control panel is disabled.
12	<i>Filter</i> button	Press the button to perform the filter reset.
13	<i>Filter</i> LED	Is illuminated when the HEPA carbon filters need to be replaced.
14	<i>Timer</i> LED	Is illuminated when the timer is activated.
15	<i>Timer</i> button	Switching on the timer function: 1 h – 24 h
16	<i>Auto</i> LED	Is illuminated when automatic mode is activated.
17	<i>Speed</i> LED	Is illuminated when ventilation mode is selected.
18	<i>On/Off</i> LED	Is illuminated when the device is switched on.
19	<i>On/Off</i> button	Switching the device on and off

No.	Designation	Meaning
20	<i>Speed</i> button	For setting the fan speed
21	<i>Auto</i> button	Switching the automatic mode on or off
22	<i>PM2.5/Timer</i> indication	Indication of the particulate matter pollution in µg/m <sup>3</sup> or the number of hours of the set timer (1 h – 24 h)
23	<i>%RH</i> indication	Indication of the relative humidity level
24	<i>Life of filter</i> LEDs	Indicate when the HEPA carbon filters need to be replaced. If no bars is displayed any more, the HEPA carbon filters have to be replaced.
25	<i>Speed/air quality</i> LEDs	Are illuminated according to the set fan stage: <ul style="list-style-type: none"> <li>• 1 bar = low</li> <li>• 2 bars = medium</li> <li>• 3 bars = high</li> <li>• 4 bars (turbo mode) = very high</li> </ul> 1–4 bars alternating = automatic mode Are illuminated in different colours according to the measured air quality: <ul style="list-style-type: none"> <li>• green = good</li> <li>• blue = medium</li> <li>• red = poor</li> </ul>
26	<i>Mode</i> indication	Is illuminated when the corresponding operating mode is activated: <ul style="list-style-type: none"> <li> Night mode</li> <li> Ionization</li> <li> Automatic mode</li> </ul>
27	<i>Temperature</i> indication	Indication of the current temperature in °C
28	<i>Locked</i> button	Switching the locking function on and off
29	<i>Ionizer</i> button	Switching the ionization mode on or off
30	<i>Sleep</i> button	For switching night mode on or off



**Switching the device on**

Once you have completely installed the device as described in the chapter Assembly and start-up, you can switch it on.

1. Press the *On/Off* button (19) to switch the device on.
  - ⇒ The device emits an acoustic signal.
  - ⇒ The device measures the air quality within 3 minutes. The *PM2.5/Timer* indication (22) shows the current particle load.
  - ⇒ The *Auto* LED (16) is illuminated. The symbol for automatic mode (26) appears on the segment display.
  - ⇒ The *Speed/air quality* LEDs (25) are illuminated according to the measured air quality and fan stage.

**Setting the operating mode**

The device comes with the following operating modes:

- Automatic mode
- Night mode
- Ventilation

**Automatic mode**

When in automatic mode, the device automatically detects the air quality.

Please proceed as follows to set the automatic mode:

- ✓ The device is switched on.
- 1. Press the *Auto* button (21).
  - ⇒ The *Auto* LED (16) is illuminated. The symbol for automatic mode (26) appears on the segment display.
  - ⇒ The device is running in automatic mode.

If the device is in automatic mode while it is getting dark, the light detection function will automatically put the device into night mode.

Once the ambient brightness increases, the device switches back to automatic mode.

The *PM2.5/Timer* indication (22) shows the measured PM2.5 value.

The *Speed/air quality* LEDs (25) are illuminated according to the measured air quality and fan stage.

**Air quality: fine dust value**

<b>Speed/air quality LEDs <i>fine dust value</i></b>	<b>Fine dust value indication (PM2.5 value)</b>
Illuminated in green (very good air quality)	0–50
Illuminated in blue (good air quality)	51–100
Illuminated in red (medium air quality)	>100

Please proceed as follows to switch off the automatic mode:

1. Press the *Auto* button (21).
  - ⇒ The *Auto* LED (16) goes out. The symbol for automatic mode (26) is no longer shown on the segment display.
  - ⇒ The device switches to ventilation mode.



**Info**

**Automatic mode and virus filtration**

Do not use the automatic mode if the device is used for virus filtration!

The integrated sensors only respond to air pollution caused by fine particulates, pollen or possibly VOC (organic chemical compounds). The device cannot determine the virus load inside the room. It is possible that the automatic mode indicates a good air quality even though the virus load in the room is very high. Therefore, when using the device for virus filtration, we recommend that you always select a fixed performance level adapted to the room size or the required circulation rate.

**Night mode**



**Info**

In night mode, the ionization function cannot be added.

In night mode, the control panel is dimmed and the device generates an air current that is adapted to your sleep habits.

Proceed as follows to switch on night mode:

- ✓ The device is switched on.
- 1. Press the *Sleep* button (30).
  - ⇒ The *Sleep* LED (17) is illuminated. The symbol for night mode (26) appears on the segment display.
- 2. Press the *Sleep* button (30) again to switch off the night mode.
  - ⇒ The *Sleep* LED (17) goes out and the device switches to the previously selected operating mode.

**Ventilation**

In *ventilation* mode, you can select all fan speeds manually.

Please proceed as follows to select the fan stages:

- ✓ The device is switched on.
- 1. Select the desired speed by pressing the *Speed* button (20).
  - ⇒ The *Speed* LED (17) is illuminated. The *Speed/air quality* LEDs (25) are illuminated according to the selected fan stage.



### Switching the locking function on and off

The locking function prevents the buttons on the control panel from being used.

Please proceed as follows to lock the control panel:

- ✓ The device is switched on.
- 1. Press the *Locked* button (28) for 3 seconds.
  - ⇒ The *Locked* LED (11) is illuminated.
  - ⇒ The locking function is activated.
  - ⇒ The buttons on the control panel cannot be used.
- 2. Press the *Locked* button (28) for 3 seconds again to switch off the function.

### Ionization



#### Info

If the ionization function is activated, night mode cannot be added.

The ionization function serves to filter out pollen, dust, viruses and bacteria from the room air by means of the HEPA carbon filter.

If the ionization function is activated, automatic mode is added automatically.

Please proceed as follows to activate the ionization function:

- ✓ The device is switched on.
- 1. Press the *ionizer* button (29) to switch on the ionization function.
  - ⇒ The *ionizer* LED (10) is illuminated. The symbol for the ionization function (26) appears on the segment display.
  - ⇒ The device automatically starts in automatic mode. The LED (16) is illuminated. The symbol for automatic mode (26) appears on the segment display.
  - ⇒ The device starts to filter the room air.
- 2. Select the desired fan speed by pressing the *Speed* button (20).
  - ⇒ Automatic mode is deactivated automatically and the LED (16) goes out.
  - ⇒ The *Speed* LED (17) is illuminated. The *Speed/air quality* LEDs (25) are illuminated according to the selected fan stage.
- 3. Press the *ionizer* button (29) again to deactivate the ionization function.
  - ⇒ The *ionizer* LED (10) goes out.

### Setting the timer

The function can be set in all operating modes.

The number of hours can be set from 1 h to 24 h.

### Automatic switch-off

- ✓ The device is switched on.
- 1. Press the *Timer* button (15) until the desired number of hours has been set.
  - ⇒ The *Timer* LED (14) is illuminated.

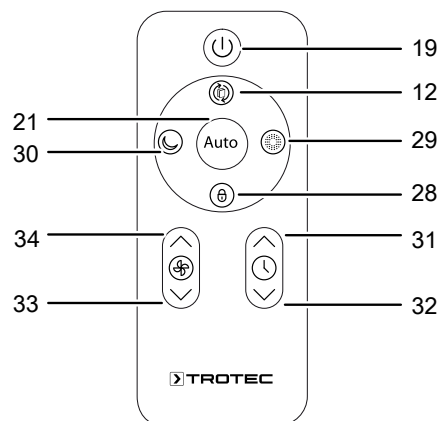
- ⇒ The *PM2.5/Timer* indication (22) shows the set number of hours of the timer. In night mode, the set number of hours is not displayed, but the symbol for night mode (26) appears dimmed on the segment display.
- ⇒ The timer programming is activated.
- ⇒ The device switches off automatically after the set number of hours has elapsed.

Notes regarding automatic switch-off:

- Pressing the *On/Off* button (19) deactivates the automatic switch-off function.

### Remote control

All settings of the device can also be made using the remote control included in the scope of delivery.



No.	Designation	Meaning
12	<i>Filter</i> button	Press the button to perform the filter reset
19	<i>On/Off</i> button	Switching the device on and off
21	<i>Auto</i> button	Switching the automatic mode on or off
28	<i>Locked</i> button	Switching the locking function on and off
29	<i>Ionizer</i> button	Switching the ionization mode on or off
30	<i>Sleep</i> button	Switching night mode on or off
31	<i>Timer</i> ^ button	Increasing the number of hours of the timer
32	<i>Timer</i> v button	Reducing the number of hours of the timer
33	<i>Speed</i> v button	Reducing the fan speed
34	<i>Speed</i> ^ button	Increasing the fan speed

**Shutdown**



**Warning of electrical voltage**

Do not touch the mains plug with wet or damp hands.

- Switch off the device by pressing the *On/Off* button (19).
- Disconnect the device from the mains by removing the mains plug from the socket. When doing so, be sure to hold the plug, not the cable.
- Clean the device according to the Maintenance chapter.
- Store the device according to the Transport and storage chapter.

**Available accessories**



**Warning**

Only use accessories and additional equipment specified in the instructions. Using insertion tools or accessories other than those specified in the instructions may cause a risk of injury.

Designation	Article number
HEPA carbon filter, filter efficiency 99.97 %	7.160.000.546
HEPA filters	7.160.000.545

**Errors and faults**

The device has been checked for proper functioning several times during production. If malfunctions occur nonetheless, check the device according to the following list.

**Notice**

Wait for at least 3 minutes after maintenance and repair work. Only then switch the device back on.

**The device does not start:**

- Check the power connection.
- Check the power cable and mains plug for damage.
- Check the on-site fusing.
- Check the air inlets (4) and air outlets (1) for proper fit.

**The device is loud or vibrates:**

- Check whether the device is set up in a stable and upright position.

**The device gets very warm, is loud or is losing power:**

- Check the air inlet and air filter for dirt. Remove external dirt.

**The device works with reduced capacity:**

- Check the HEPA carbon filters for dirt. If necessary, replace the HEPA carbon filters.
- The prefilter is soiled and has to be cleaned. Clean the prefilter (see chapter Operation and maintenance).
- The air outlets are obstructed. Make sure that the air outlets are not blocked. Remove any loose objects from the air outlets.
- The HEPA carbon filters' plastic covers were not removed before installation. Take the HEPA carbon filters out of the plastic covers.
- The air quality sensor is clogged or soiled. Windows and doors should be closed, otherwise dust and other contamination is able to enter the room. Clean the air quality sensor as described in the Maintenance chapter.

**The device works with no capacity or the air quality does not improve:**

- Check whether any windows and/or doors of the room are open. If so, close them.
- The HEPA carbon filters are not installed. Install the HEPA carbon filters.
- Check the minimum distance to walls or other objects. Position the device a little more in the room's centre if required.

**The *Speed/air quality* LEDs are illuminated in red for a longer period of time:**

- Check the air quality in the room. The air in the room may be heavily contaminated. Wait for a few minutes to see whether the colour of the *Speed/air quality* LEDs changes.

**The device gives off an unpleasant odour:**

- Check the HEPA carbon filters for dirt. If necessary, replace the HEPA carbon filters.
- Smoke, e.g. dense tobacco smoke, odours and contaminations may be in the air. Ventilate the room.

**The *Life of filter* LEDs (24) do not show any bars:**

- Replace the HEPA carbon filters as described under Changing the HEPA carbon filter.

**The device still does not operate correctly after these checks:**

Please contact the customer service. If necessary, bring the device to an authorised specialist electrical company or to the manufacturer for repair.

## Maintenance

## Maintenance intervals

Maintenance and care interval	before every start-up	as needed	at least every 2 weeks	at least every 4 weeks	at least every 6 months	at least annually
Check air inlets and outlets for dirt and foreign objects and clean if necessary	X			X		
Clean the exterior		X				X
Visually check the inside of the device for dirt		X				X
Check the filter for dirt and foreign objects and clean or replace if necessary	X		X			
Replace the HEPA carbon filter		X			X	
Clean the prefilter		X				
Check for damage	X					
Check the attachment screws		X				X
Test run						X

## Maintenance and care log

Device type: .....

Device number: .....

Maintenance and care interval	1	2	3	4	5	6	7	8	9	10	11	12	13	14	15	16
Check air inlets and outlets for dirt and foreign objects and clean if necessary																
Clean the exterior																
Visually check the inside of the device for dirt																
Check the filter for dirt and foreign objects and clean or replace if necessary																
Clean the prefilter																
Replace the filter																
Check for damage																
Check the attachment screws																
Test run																

1. Date: ..... Signature: .....	2. Date: ..... Signature: .....	3. Date: ..... Signature: .....	4. Date: ..... Signature: .....
5. Date: ..... Signature: .....	6. Date: ..... Signature: .....	7. Date: ..... Signature: .....	8. Date: ..... Signature: .....
9. Date: ..... Signature: .....	10. Date: ..... Signature: .....	11. Date: ..... Signature: .....	12. Date: ..... Signature: .....
13. Date: ..... Signature: .....	14. Date: ..... Signature: .....	15. Date: ..... Signature: .....	16. Date: ..... Signature: .....

**Activities required before starting maintenance**



**Warning of electrical voltage**

Do not touch the mains plug with wet or damp hands.

- Switch the device off.
- Disconnect the device from the mains by removing the mains plug from the socket. When doing so, be sure to hold the plug, not the cable.



**Warning of electrical voltage**

Tasks which require the device to be opened must only be carried out by authorised specialist companies or by the manufacturer.

**Cleaning the housing**

Clean the housing with a soft, damp and lint-free cloth. Make sure that no moisture enters the housing. Protect electrical components from moisture. Do not use any aggressive cleaning agents such as cleaning sprays, solvents, alcohol-based or abrasive cleaners to dampen the cloth.

**Notice**

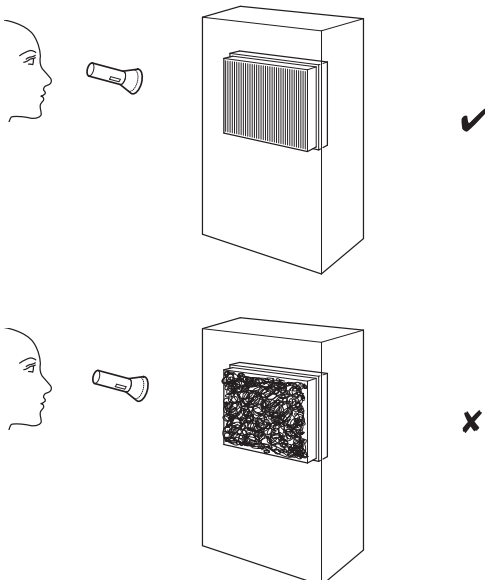
Clean the air outlet if required. Remove it from the device and clean it with a soft, damp and lint-free cloth.

**Notice**

Clean the air quality sensor if required. Carefully clean it from the outside with a soft, damp and lint-free cloth.

**Visual inspection of the inside of the device for dirt**

1. Remove the air filters.
2. Use a torch to illuminate the openings of the device.
3. Check the inside of the device for dirt.
4. If you see a thick layer of dust, clean the inside of the device with a vacuum cleaner.
5. Reinsert the air filters.



**Changing the HEPA carbon filters**

**Notice**

Do not operate the device without the HEPA carbon filters inserted!

**Notice**

The HEPA carbon filters cannot be cleaned and must be replaced if necessary.

**Notice**

The lifetime of the HEPA carbon filters depends on the ambient conditions and the application period of the device.

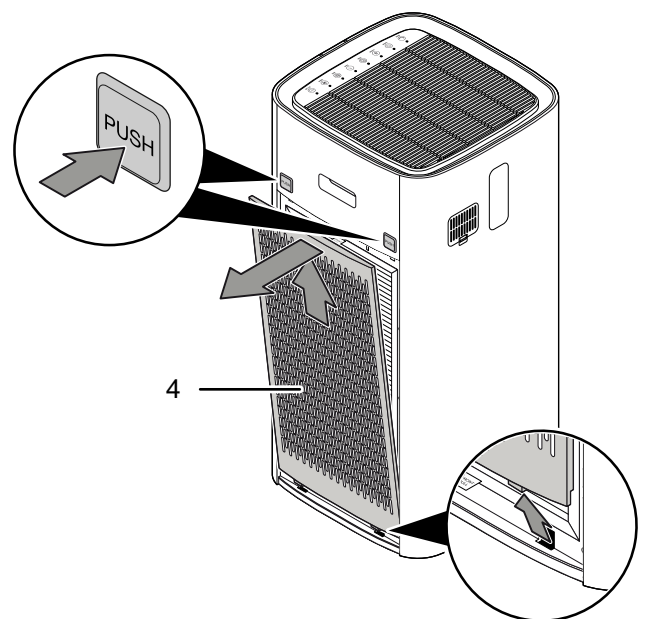
- The HEPA carbon filters have to be replaced as soon as they are dirty. This is brought to light e.g. by a reduced capacity (see chapter Errors and faults).
- Make sure that the HEPA carbon filters and the prefilters are installed before switching the device on.
- Without the HEPA carbon filters and the prefilters, the device cannot fulfil its air cleaner function, and the inside of the device will be soiled.

The HEPA carbon filters have to be replaced in case of heavy soiling. If the *Filter LED* (13) is illuminated or no bars of the *Life of filter LEDs* (24) are displayed, the HEPA carbon filters must also be replaced.

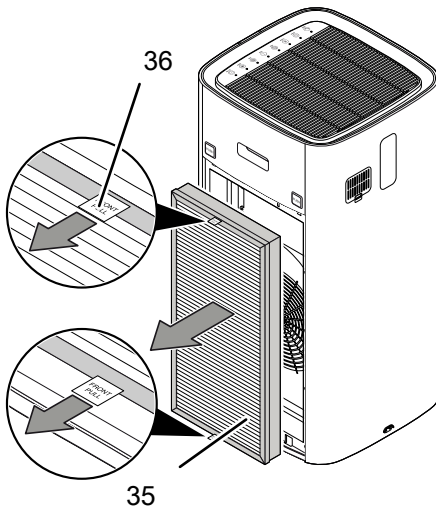
If required, visually inspect the HEPA carbon filters and prefilters for dirt.

Please proceed as follows on both sides of the device:

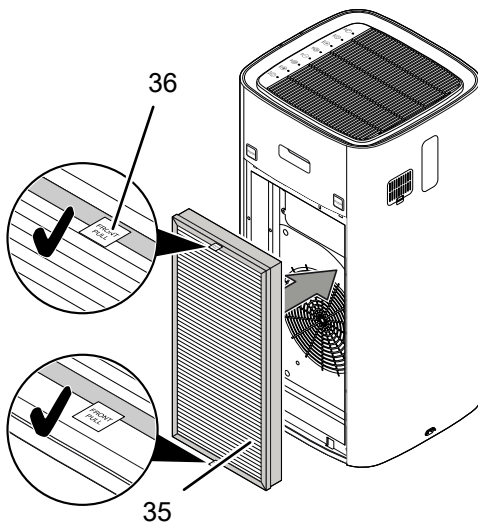
1. Remove the air inlet with the prefilter (4) from the device by pressing *Push*.



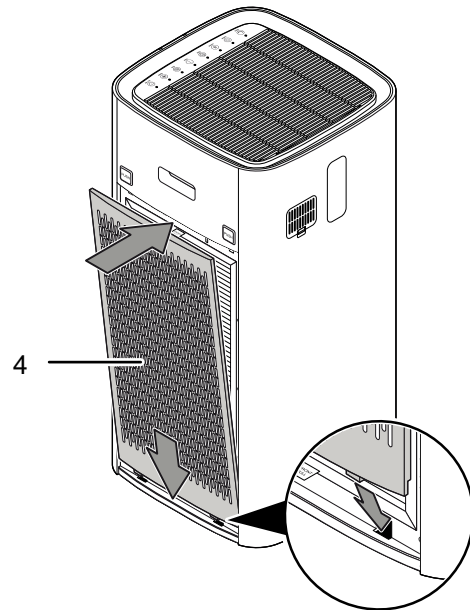
2. Pull the strips (36) to take the HEPA carbon filter (35) out of the device.



3. Dispose of the HEPA carbon filter according to the national regulations.
4. Take the new HEPA carbon filter out of the plastic cover.
5. Insert the new HEPA carbon filter (35) into the device. Make sure that the strips (36) are positioned on the outside.



6. Reinsert the air inlet with the prefilter (4) into the device.



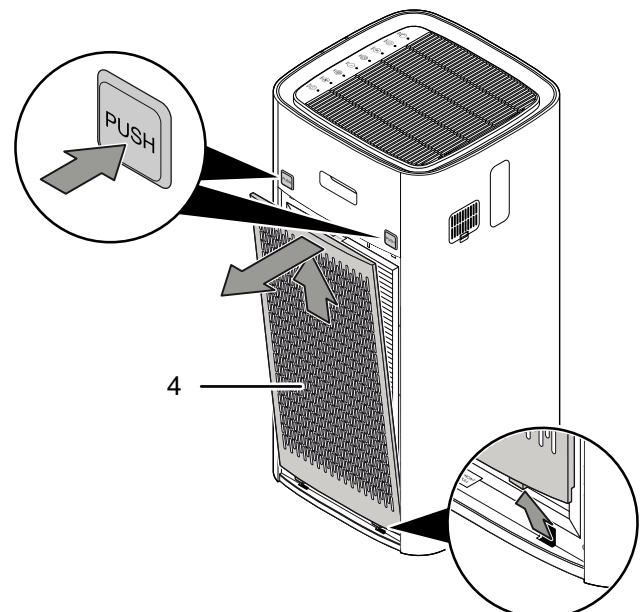
7. Press the *Filter* button (12) to perform the filter reset.  
⇒ The *Filter* LED (13) goes out.

### Cleaning the pre-filters

The prefilters should be cleaned once a month.

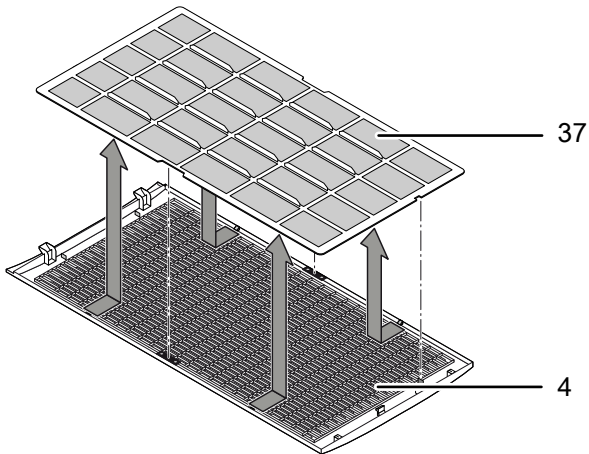
To do so, please proceed as follows on both sides of the device:

1. Remove the air inlet with the prefilter (4) from the device by pressing *Push*.

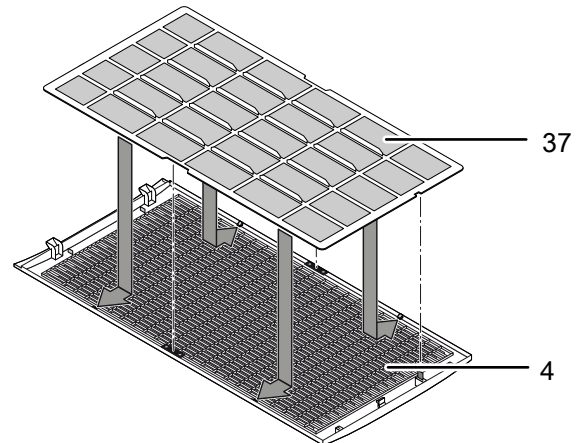




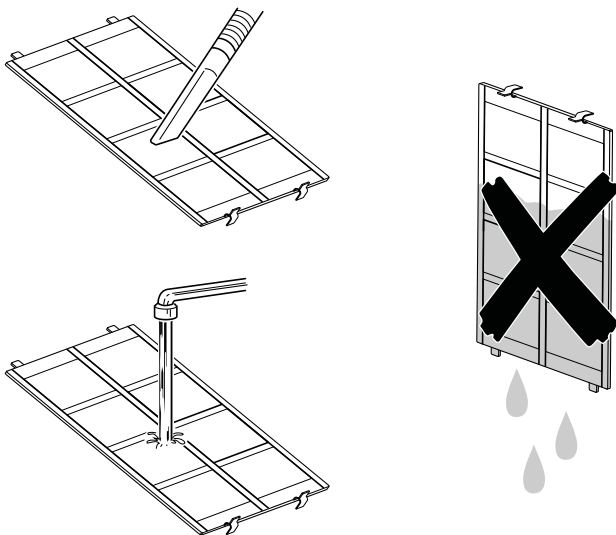
2. Remove the prefilter (37) from the air inlet (4).



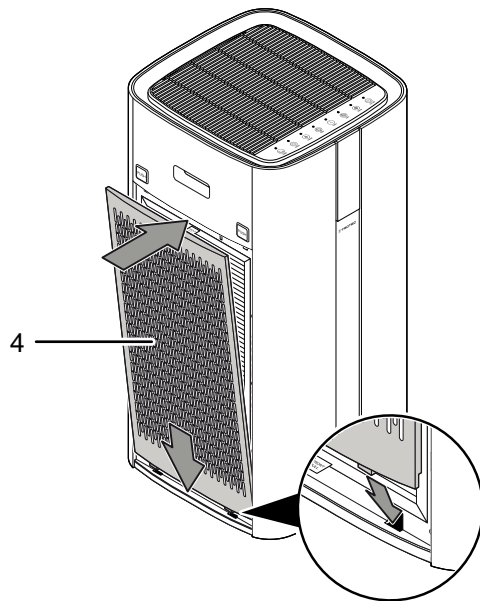
5. Reinsert the prefilter (37) into the air inlet (4).



3. Clean the filter using a slightly damp, soft, lint-free cloth. If the filter is heavily contaminated, clean it with warm water mixed with a neutral cleaning agent.



6. Reinsert the air inlet with the prefilter (4) into the device.



4. Allow the filter to dry completely. Do not insert a wet filter into the device!



## Technical annex

### Technical data

Parameter	Value
<b>Model</b>	<b>AirgoClean® 350 E</b>
Air flow rate with HEPA carbon filter	
Fan stage I	260 m <sup>3</sup> /h
Fan stage II	450 m <sup>3</sup> /h
Fan stage III	650 m <sup>3</sup> /h
Turbo mode	1000 m <sup>3</sup> /h
Ambient temperature	0 °C to 35 °C
Operating range	0 % to 95 % RH
Mains connection	220-240 V / 50-60 Hz
Power consumption	105 W
Nominal current	0.46 A
Sound pressure level (at a distance of 1 m)	55.2 dB(A)
Dimensions (length x width x height)	390 x 405 x 795 mm
Minimum distance to walls and other objects	
A: top	30 cm
B: rear	30 cm
C: side	30 cm
D: front	30 cm
Weight	14 kg
Batteries	CR 2032

## Disposal

Always dispose of packing materials in an environmentally friendly manner and in accordance with the applicable local disposal regulations.



The icon with the crossed-out wheeled bin indicates that this device and any associated components (e.g. remote controls) must not be disposed of with household waste at the end of their life, in accordance with the Waste Electrical and Electronic Equipment Directive (2012/19/EU) and national laws.

You will find collection points for free return of waste electrical and electronic equipment in your vicinity. The addresses can be obtained from your municipality or local administration. You can also find out about other return options that apply for many EU countries on the website <https://hub.trotec.com/?id=45090>. Otherwise, please contact an official recycling centre for electronic and electrical equipment authorised for your country.

The separate collection of waste electrical and electronic equipment aims to enable the re-use, recycling and other forms of recovery of waste equipment as well as to prevent negative effects for the environment and human health caused by the disposal of hazardous substances potentially contained in the equipment.



This icon with the crossed-out wheeled bin indicates that batteries or accumulators must not be disposed of with household waste at the end of their life. If the device contains batteries or accumulators that contain mercury, cadmium or lead, the respective chemical symbol (Hg, Cd or Pb) is shown below the icon of the crossed-out wheeled bin. To prevent environmental pollution, do not carelessly leave batteries or electrical and electronic equipment containing batteries in public areas. In the European Union, batteries and accumulators must be returned to a designated collection point in accordance with REGULATION (EU) 2023/1542 OF THE EUROPEAN PARLIAMENT AND OF THE COUNCIL of 12 July 2023 concerning batteries and waste batteries. Remove batteries/accumulators and dispose of them separately according to the relevant legal requirements.

### Only for United Kingdom

According to Waste Electrical and Electronic Equipment Regulations 2013 (SI 2013/3113) (as amended) and the Waste Batteries and Accumulators Regulations 2009 (SI 2009/890) (as amended), devices that are no longer usable must be collected separately and disposed of in an environmentally friendly manner.

Trotec GmbH

Grebbener Str. 7  
D-52525 Heinsberg

📞 +49 2452 962-400

📠 +49 2452 962-200

[online@trotec.com](mailto:online@trotec.com)

[www.trotec.com](http://www.trotec.com)