

AIRGOCLEAN® 100 E

EN

OPERATING MANUAL
AIR CLEANER



Table of contents

Notes regarding the operating manual..... 2

Safety 2

Information about the device..... 4

Transport and storage..... 5

Assembly and start-up..... 5

Operation 6

Available accessories..... 8

Errors and faults..... 8


Maintenance 9


Technical annex..... 13


Disposal 13

Notes regarding the operating manual


Symbols


 **Warning of electrical voltage**
 This symbol indicates dangers to the life and health of persons due to electrical voltage.

 **Warning**
 This signal word indicates a hazard with an average risk level which, if not avoided, can result in serious injury or death.

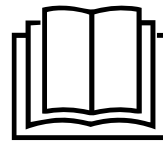
 **Caution**
 This signal word indicates a hazard with a low risk level which, if not avoided, can result in minor or moderate injury.

Note
 This signal word indicates important information (e.g. material damage), but does not indicate hazards.

 **Info**
 Information marked with this symbol helps you to carry out your tasks quickly and safely.

 **Follow the manual**
 Information marked with this symbol indicates that the operating manual must be observed.

You can download the current version of the operating manual and the EU declaration of conformity via the following link:




AirgoClean® 100 E



<https://hub.trotec.com/?id=44618>

Safety

Read this manual carefully before starting or using the device. Always store the manual in the immediate vicinity of the device or its site of use.

-  **Warning**
Read all safety warnings and all instructions. Failure to follow the warnings and instructions may result in electric shock, fire and/or serious injury. **Save all warnings and instructions for future reference.**
- This appliance can be used by children aged from 8 years and above and persons with reduced physical, sensory or mental capabilities or lack of experience and knowledge if they have been given supervision or instruction concerning use of the appliance in a safe way and understand the hazards involved.
- Children shall not play with the appliance. Cleaning and user maintenance shall not be made by children without supervision.
- Do not use the device in potentially explosive rooms or areas and do not install it there.
 - Do not use the device in aggressive atmosphere.
 - Do not operate the device near open fire or gas appliances.
 - Only put up the device in an upright, stable position on firm ground.
 - Let the device dry out after a wet clean. Do not operate it when wet.
 - Do not use the device with wet or damp hands.
 - Do not expose the device to directly squirting water.
 - Do not expose the device to liquids as it is not protected against splash water.
 - Never insert any objects or limbs into the device.
 - Do not cover or transport the device during operation.
 - Do not sit on the device.

- This appliance is not a toy! Keep away from children and animals. Do not leave the device unattended during operation.
- Check accessories and connection parts for possible damage prior to every use of the device. Do not use any defective devices or device parts.
- Ensure that all electric cables outside of the device are protected from damage (e.g. caused by animals). Never use the device if electric cables or the power connection are damaged!
- The electrical connection must correspond to the specifications in chapter Technical data.
- Insert the mains plug into a properly secured mains socket.
- Observe the technical data when selecting extensions to the power cable. Completely unroll the extension cable. Avoid electrical overload.
- Before carrying out maintenance, care or repair work on the device, remove the mains plug from the mains socket. Hold onto the mains plug while doing so.
- Switch the device off and disconnect the power cable from the mains socket when the device is not in use.
- Do not under any circumstances use the device if you detect damages on the mains plug or power cable. If the power cable is damaged, it must be replaced by the manufacturer, its service agent or similarly qualified persons in order to avoid a hazard. Defective power cables pose a serious health risk!
- When positioning the device, observe the minimum distances from walls and other objects as well as the storage and operating conditions specified in the Technical data chapter.
- Make sure that the air inlet and outlet are not obstructed.
- Make sure that there are no loose items or dirt located in the immediate surroundings of air inlet and air outlet.
- Do not remove any safety signs, stickers or labels from the device. Keep all safety signs, stickers and labels in legible condition.
- Do not expose the device to heat or direct sunlight.
- Make sure that the suction side is kept free of dirt and loose objects.
- Dispose of replaced filters properly, especially after filtering substances hazardous to health.
- Never use the device as storage place or footstep.
- Never select automatic mode if the device is used for virus filtration.

Intended use

Use the device for cleaning the air as well as for odour elimination (ionization) in interior spaces only whilst adhering to the technical data and safety instructions.

Improper use

- Do not place the device on wet or flooded ground.
- Do not place any objects, e.g. clothing, on the device.
- Do not use the device outdoors.
- Do not use the device in bathrooms and rooms with a high humidity level.
- Do not use the device in rooms where large amounts of dust are produced, e.g. in production halls, workshops or on construction sites.
- Moreover, the integrated filter system is not suited for removing dusts that are potentially harmful to health (e.g. pollutants) from the air.
- Any operation other than as described in this manual is prohibited. Non-observance renders all claims for liability and guarantee null and void.
- Any unauthorised modifications, alterations or structural changes to the device are forbidden.

Personnel qualifications

People who use this device must:

- be aware of the dangers that occur when working with electrically driven air cleaners.
- have read and understood the operating manual, especially the Safety chapter.

Residual risks



Warning of electrical voltage

Work on the electrical components must only be carried out by an authorised specialist company!



Warning of electrical voltage

Before any work on the device, remove the mains plug from the mains socket!

Do not touch the mains plug with wet or damp hands. Hold onto the mains plug while pulling the power cable out of the mains socket.



Warning

Dangers can occur at the device when it is used by untrained people in an unprofessional or improper way! Observe the personnel qualifications!



Warning

The device is not a toy and does not belong in the hands of children.



Warning

Risk of suffocation!
Do not leave the packaging lying around. Children may use it as a dangerous toy.

Note

Do not operate the device without a HEPA filter inserted!

Note

Do not operate the device without an air filter inserted into the air inlet!
Without the air filter, the inside of the device will be heavily contaminated. This could reduce the performance and result in damage to the device.

Note

Do not use abrasive cleaners or solvents to clean the device.

Behaviour in the event of an emergency

1. Switch off the device.
2. In an emergency, disconnect the device from the mains feed-in: Hold onto the mains plug while pulling the power cable out of the mains socket.
3. Do not reconnect a defective device to the mains.

Information about the device

Device description

The device serves to filter the room air with the aim of reducing slight and medium contaminations and odours in order to improve the air quality. It is equipped with a powerful fan sucking in the air at the front. The air flows through the filter and is cleaned. Afterwards the fan releases the clean air back into the room.

The device uses a HEPA filter to remove bacteria, viruses, pollen, dust mite residue, mould fungus spores and other allergens from the air. The HEPA filter has an integrated pre-filter (made of synthetic fibre) that filters out large dust particles before the air flows into the HEPA filter.

The HEPA filter is effective against house dust, pet allergens, cigarette smoke, smog and particles which can carry smells and viruses.

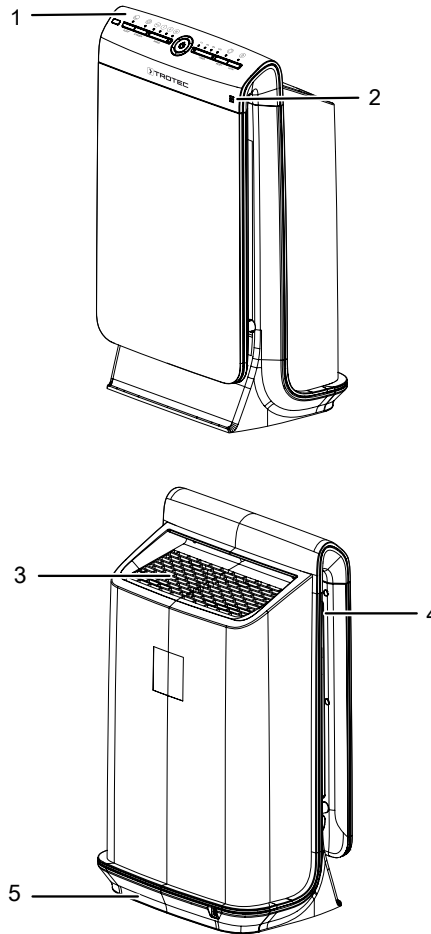
Additionally, the device comes with an ionization function. The released ions remove pollen, dust, viruses and bacteria from the room air. Thanks to this air purification method, the quality of the room air can be additionally improved.

The three-stage fan and the uncomplicated, quick filter change ensure easy operation.

Thanks to its compact dimensions the device can be transported conveniently, and owing to its low-noise operation it can be used indoors.

The device can be operated via the control panel at the device or via the infrared remote control.

Device depiction



No.	Designation
1	Control panel
2	Air quality sensor
3	Air outlet
4	Air inlet with prefilter, HEPA filter and activated carbon filter
5	Foot

Transport and storage

Note

If you store or transport the device improperly, the device may be damaged.

Note the information regarding transport and storage of the device.

Transport

Before transporting the device, observe the following:

- Switch the device off.
- Hold onto the mains plug while pulling the power cable out of the mains socket.
- Do not use the power cable to drag the device.

After transporting the device, observe the following:

- Set up the device in an upright position after transport.

Storage

When the device is not being used, observe the following storage conditions:

- Dry and protected from frost and heat
- In an upright position where it is protected from dust and direct sunlight
- With a cover to protect it from invasive dust, if necessary

Assembly and start-up

Scope of delivery

- 1 x Device
- 1 x HEPA filter incl. pre-filter made of synthetic fibre
- 1 x Pre-filter
- 1 x Activated carbon filter
- 1 x Remote control
- 1 x Manual

Unpacking the device

1. Open the cardboard box and take the device out.
2. Completely remove the packaging.
3. Fully unwind the power cable. Make sure that the power cable is not damaged and that you do not damage it during unwinding.

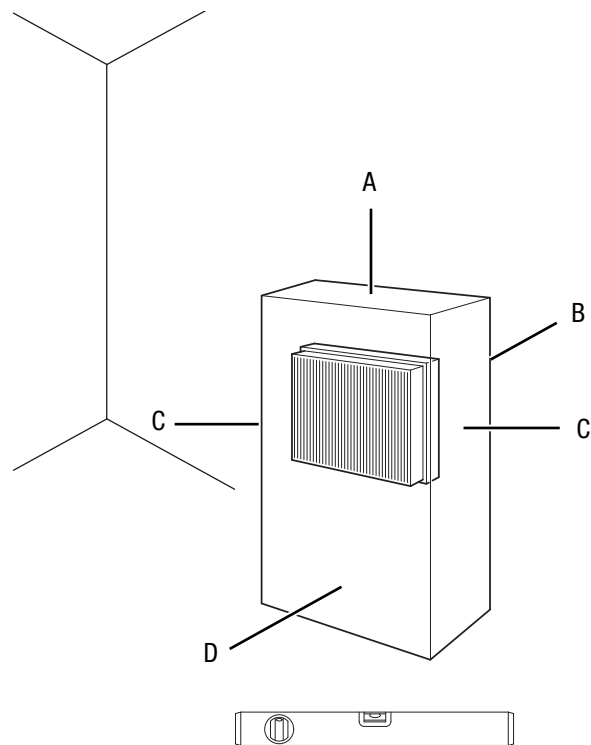
Start-up

The filters are preassembled.

Note

Remove the plastic cover from the HEPA filter. To do so, please proceed as described in the chapter Changing the HEPA filter.

When positioning the device, observe the minimum distance from walls or other objects as described in the chapter Technical data.



- Before restarting the device, check the condition of the power cable. If there are doubts as to the sound condition, contact the customer service.
- Only put up the device in an upright, stable position on firm ground.
- Do not create tripping hazards when laying the power cable or other electric cables, especially when positioning the device in the middle of the room. Use cable bridges.
- Make sure that extension cables are completely unrolled.
- Position the device near the source of air contamination.
- When positioning the device, keep a sufficient distance to heat sources.
- Make sure that no curtains or other objects interfere with the air flow.
- Make sure that the air inlet and outlet are not obstructed.

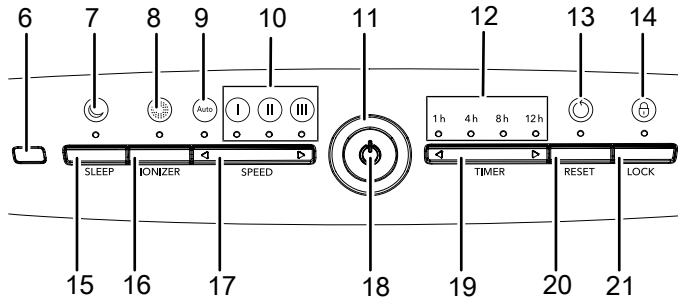
Connecting the power cable

- Insert the mains plug into a properly fused mains socket.

Operation

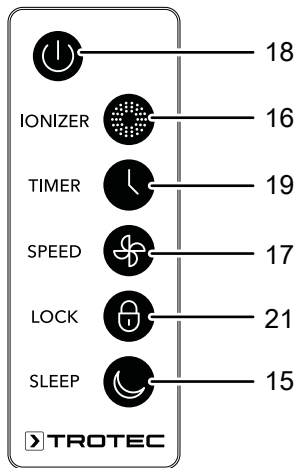
Note

Avoid open doors and windows.



Remote control

All settings of the device can also be made using the remote control included in the scope of delivery.



No.	Designation	Meaning
10	Fan speed LEDs	Selected fan speed indication: I = stage 1 (low) II = stage 2 (medium) III = stage 3 (high)
11	Air quality LED	Is illuminated according to the air quality: green = good orange = medium red = poor
12	Hours LEDs	Indication of the number of hours of the activated timer: 1 h, 4 h, 8 h or 12 h. The corresponding LED will be illuminated in yellow.
13	Reset LED	Illuminated when the prefilter needs to be cleaned.
14	Lock LED	Is illuminated when the locking function is activated
15	Sleep button	Switching the <i>night</i> mode on or off
16	Ionizer button	Switching ionization on or off
17	Speed button	Setting fan speed and automatic mode: ◀ = decrease fan speed ▶ = increase fan speed
18	On / Off button	Switching the device on or off
19	Timer button	Switching off the timer function: 1 h, 4 h, 8 h or 12 h
20	Reset button	Switches off the <i>Reset</i> LED. Only confirm the button if the <i>Reset</i> LED (13) lights up and the prefilter has been replaced.
21	Lock button	Switching the locking function on or off

No.	Designation	Meaning
6	Light sensor	With activated automatic mode, the light sensor detects when it starts getting dark. The device switches over to night mode. Once it gets light, the device switches back to automatic mode.
7	Sleep LED	Illuminated when <i>night mode</i> is activated
8	Ionizer LED	Illuminated when the <i>ionization</i> function is activated
9	Auto LED	Illuminated when <i>automatic mode</i> is activated

Switching the device on

Once you have completely installed the device as described in the Start-up chapter, you can switch it on.

1. Press the *on/off* button (18).
 - ⇒ The device is switched on and starts operating in automatic mode. The *auto* LED (9) is illuminated.
 - ⇒ The device measures the air quality within 3 minutes. The air quality LED (11) is illuminated.

Setting the operating mode

The device comes with the following operating modes:

- Automatic mode
- Night mode
- Ventilation

Automatic mode

Once you switch on the device, it starts in automatic mode. The *auto* LED (9) and the air quality LED (11) are illuminated.

If the device is in automatic mode while it is getting dark, it automatically switches into night mode.



Info

You can also select the automatic mode if you press on the ◀ symbol of the *speed* button (17).

When in automatic mode, the device automatically detects the air quality.

The *air quality* LED (11) is illuminated accordingly in green, orange or red.

If the air quality becomes poorer, the fan speed will increase. In addition, the *fan speed* LED (10) is illuminated.

Air quality LED	Fan speed LED
Illuminated in green (good air quality)	Stage 1 (low)
Illuminated in orange (medium air quality)	Stage 2 (medium)
Illuminated in red (poor air quality)	Stage 3 (high)

Please proceed as follows to switch off the automatic mode:

1. Press the *speed* button (17) on the device.
⇒ The device switches to *ventilation* mode.



Info

Automatic mode and virus filtration

Do not use the automatic mode if the device is used for virus filtration!

The integrated sensors only respond to air pollution caused by fine particulates, pollen or possibly VOC (organic chemical compounds). The device cannot determine the virus load inside the room. It is possible that the automatic mode indicates a "good air quality" even though the virus load in the room is very high.

Therefore, when using the device for virus filtration, we recommend that you always select a fixed performance level adapted to the room size or the required circulation rate.

Night mode



Info

Measuring the air quality cannot be switched on in addition if the night mode is activated.

In *night mode*, the device generates an air current that is adapted to your sleep habits.

Proceed as follows to switch on night mode:

- ✓ Measuring the air quality is not activated and the *air quality* LED (11) is not illuminated.
1. Press the *sleep* button (15) on the device.
⇒ The *Sleep* LED (7) is illuminated.
 2. Press the *sleep* button (15) again to switch off the night mode.
⇒ The device switches back to the automatic mode.

Ventilation

In *Ventilation* mode, you can select all 3 fan speeds manually.

Please proceed as follows to select the fan stages:

- ✓ The device is switched on.
1. Select the desired speed by pressing the *speed* button (17).
⇒ The *fan speed* LED (10) of stage 1, 2 or 3 is illuminated.

To switch the measurement of the air quality on or off irrespective of the automatic mode, please proceed as follows:

1. Press and hold the *on / off* button (18) for 5 seconds to switch on the function.
⇒ The *air quality* LED (11) is illuminated.
2. Press the *on / off* button (18) for 5 seconds to switch off the function again.

Ionization

With this function, the room air is not only cleaned by means of the HEPA filter, but additionally by means of ions. The released ions remove pollen, dust, viruses and bacteria from the room air. The function can be set in addition in all operating modes.

Please proceed as follows to activate ionization:

1. Press the *ionizer* button (16) to switch on the ionization function.
⇒ The *Ionizer* LED (8) is illuminated.
⇒ The device releases ions and cleans the air.
2. Press the *ionizer* button (16) again to deactivate the ionization function.
⇒ The *Ionizer* LED (8) goes out.

Setting the timer

You can activate the automatic switch-off function after a preset number of hours by means of the timer.

The number of hours can be set in increments of 4 hours (1 h, 4 h, 8 h, 12 h).

Automatic switch-off

- ✓ The device is switched on.
- 1. Press the timer button (19) until the number of hours or the desired *hours* LED (12) is illuminated.
 - ⇒ The timer setting equals the desired number of hours.
 - ⇒ The device switches off automatically after the set number of hours has elapsed.

Notes regarding automatic switch-off:

- Pressing the on / off button (18) deactivates the automatic switch-off function.

Switching the locking function on or off

The locking function prevents the buttons on the control panel from being used.

Please proceed as follows to lock the control panel:

1. Press the *lock* button (21) for 3 seconds.
 - ⇒ The locking function is activated.
 - ⇒ The *lock* LED (21) is illuminated.
 - ⇒ The buttons on the control panel cannot be used.
2. Press the *lock* button (21) for 3 seconds again to switch off the function.
 - ⇒ The device switches back to the previous operating mode.

Shutdown



Warning of electrical voltage

Do not touch the mains plug with wet or damp hands.

- Switch the device off.
- Hold onto the mains plug while pulling the power cable out of the mains socket.
- Clean the device according to the Maintenance chapter.
- Store the device according to the Storage chapter.

Available accessories



Warning

Only use accessories and additional equipment specified in the operating manual. Using insertion tools or accessories other than those specified in the operating manual may cause a risk of injury.

Designation	Article number
HEPA filter, filter efficiency 99.97 %	7.160.000.524
HEPA filter, filter class E11	7.160.000.522
Prefilter	7.160.000.520
Activated carbon filter	7.160.000.521

Errors and faults

The device has been checked for proper functioning several times during production. If malfunctions occur nonetheless, check the device according to the following list.

The device does not start:

- Check the power connection.
- Check the power cable and mains plug for damage.
- Check the on-site fusing.
- Wait for 10 minutes before restarting the device. If the device is not starting, have the electricians checked by a specialist company or by Trotec.

The device is loud or vibrates:

- Check whether the device is set up in a stable and upright position.

The device gets very warm, is loud or is losing performance:

- Check the air inlets and air filters for dirt. Remove external dirt.

The device works with reduced capacity:

- Check the HEPA filter for dirt. If necessary, clean or replace the HEPA filter.
- The prefilter is soiled and has to be cleaned, and the *reset* LED is illuminated. Clean the prefilter (see chapter Operation and chapter Maintenance).
- The air outlet is obstructed. Make sure that the air outlet is not blocked. Remove any loose objects from the air outlet.
- The HEPA filter's plastic cover was not removed before installation. Take the HEPA filter out of the plastic cover.

The device works with no capacity or the air quality does not improve:

- Check whether any windows and/or doors of the room are open. If so, close them.
- The HEPA filter is not installed. Install the HEPA filter.
- Check the minimum distance to walls or other objects. Position the device a little more in the room's centre if required.

The *air quality* LED is illuminated in red for a longer period of time:

- Check the air quality in the room. The air in the room may be heavily contaminated. Wait for a few minutes to see whether the colour of the *air quality* LED changes.
- The air quality sensor is clogged or soiled. Windows and doors should be closed, otherwise dust and other contamination is able to enter the room. Clean the air quality sensor as described in the Maintenance chapter.

The device gives off an unpleasant odour:

- Check the HEPA filter for dirt. If necessary, clean or replace the HEPA filter.
- Smoke, e.g. dense tobacco smoke, odours and contaminations may be in the air. Ventilate the room.

Your device still does not operate correctly after these checks?

Please contact the customer service. If necessary, bring the device to an authorised specialist electrical company or to Trotec for repair.

Maintenance

Maintenance intervals

Maintenance and care interval	before every start-up	as needed	at least every 2 weeks	at least every 4 weeks	at least every 6 months	at least annually
Check air inlets and outlets for dirt and foreign objects and clean if necessary	X			X		
Clean the exterior		X				X
Visually check the inside of the device for dirt		X				X
Check the filter for dirt and foreign objects and clean or replace if necessary	X		X			
Replace the HEPA filter					X	
Replace the activated carbon filter					X	
Cleaning the pre-filters		X				
Cleaning the air quality sensor		X				
Check for damage	X					
Check attachment screws		X				X
Test run						X

Maintenance and care log

Device type:

Device number:

Maintenance and care interval	1	2	3	4	5	6	7	8	9	10	11	12	13	14	15	16
Check air inlets and outlets for dirt and foreign objects and clean if necessary																
Clean the exterior																
Visually check the inside of the device for dirt																
Check the filter for dirt and foreign objects and clean or replace if necessary																
Replace the HEPA filter																
Replace the activated carbon filter																
Cleaning the pre-filters																
Cleaning the air quality sensor																
Check for damage																
Check attachment screws																
Test run																

1. Date: Signature:	2. Date: Signature:	3. Date: Signature:	4. Date: Signature:
5. Date: Signature:	6. Date: Signature:	7. Date: Signature:	8. Date: Signature:
9. Date: Signature:	10. Date: Signature:	11. Date: Signature:	12. Date: Signature:
13. Date: Signature:	14. Date: Signature:	15. Date: Signature:	16. Date: Signature:

Activities required before starting maintenance



Warning of electrical voltage

Do not touch the mains plug with wet or damp hands.

- Switch the device off.
- Hold onto the mains plug while pulling the power cable out of the mains socket.



Warning of electrical voltage

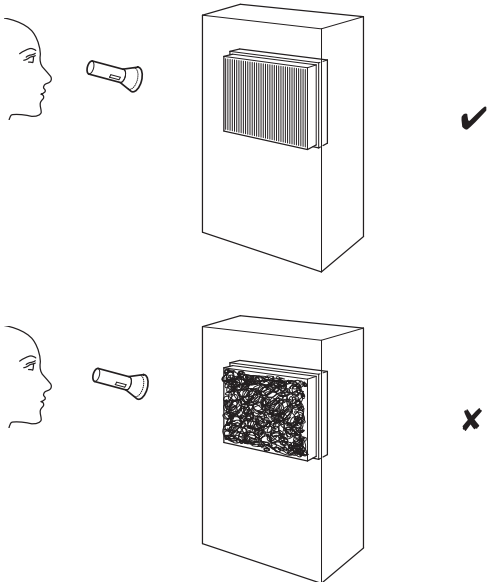
Tasks which require the housing to be opened must only be carried out by authorised specialist companies or by Trotec.

Cleaning the housing

Clean the housing with a soft, damp and lint-free cloth. Make sure that no moisture enters the housing. Protect electrical components from moisture. Do not use any aggressive cleaning agents such as cleaning sprays, solvents, alcohol-based or abrasive cleaners to dampen the cloth.

Visual inspection of the inside of the device for dirt

1. Remove the air filter.
2. Use a torch to illuminate the openings of the device.
3. Check the inside of the device for dirt.
4. If you see a thick layer of dust, clean the inside of the device with a vacuum cleaner.
5. Put the air filter back in.



Changing the HEPA filter and activated carbon filter

Note

Do not operate the device without a HEPA filter inserted!

Note

The HEPA and activated carbon filter are not washable. Do not use water or liquid cleaning agents to clean the filters.

Note

Neither the activated carbon filter nor the HEPA filter can be cleaned. Both filters must be replaced if required.

Note

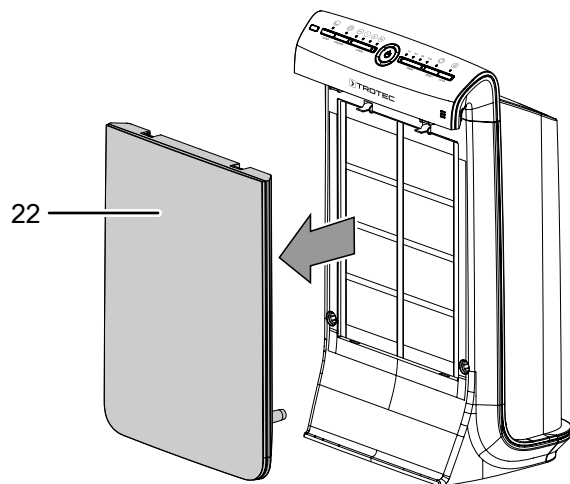
The lifetime of the activated carbon filter and HEPA filter depends on the ambient conditions and the application period of the device.

- The HEPA filter and the activated carbon filter must be replaced as soon as they are dirty. This is brought to light e.g. by a reduced capacity (see chapter Errors and faults).
- Make sure that the HEPA filter and the activated carbon filter are installed before switching the device on.
- Without the HEPA filter and the activated carbon filter, the device cannot fulfil its air cleaner function, and the inside of the device will be soiled.

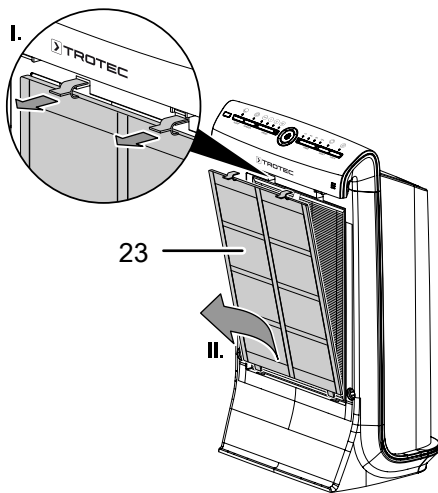
The HEPA filter and activated carbon filter should be replaced in case of heavy soiling.

If required, visually inspect the HEPA filter and activated carbon filter for dirt.

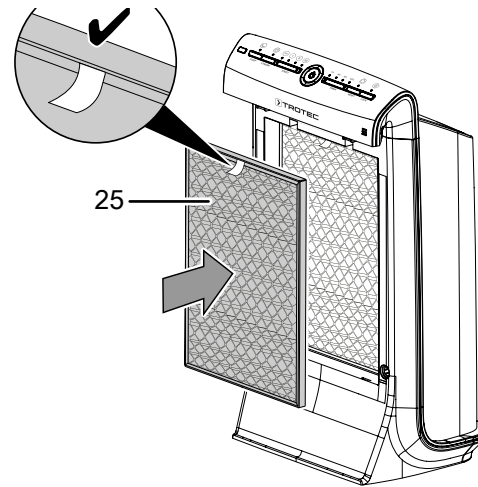
1. Remove the device cover (22) from the device.



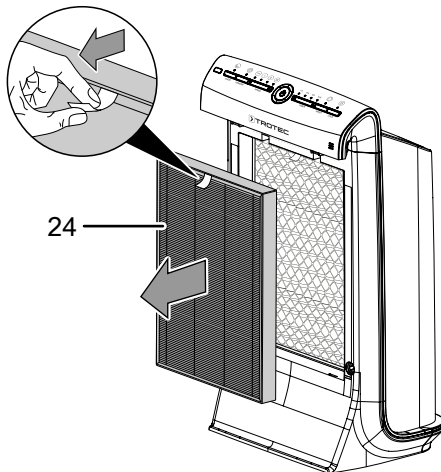
2. Remove the prefilter (23) from the device.



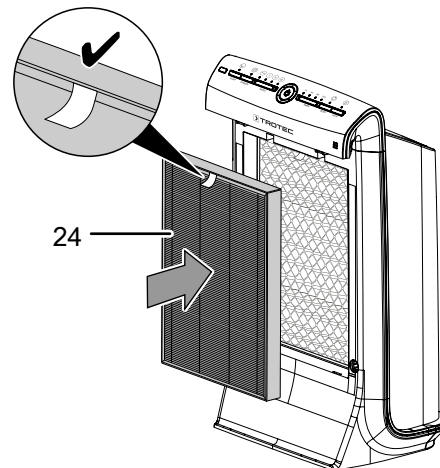
7. Insert the new activated carbon filter (25) into the device. Make sure that the strip is positioned on the outside.



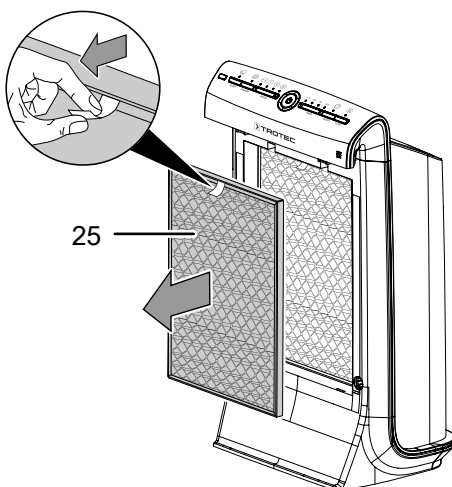
3. Pull the strip to take the HEPA filter (24) out of the device.



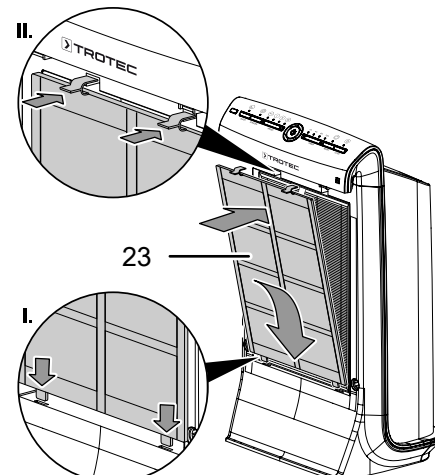
8. Take the new HEPA filter out of the plastic cover.
9. Insert the new HEPA filter (24) into the device. Make sure that the strip is positioned on the outside.



4. Pull the strip to take the activated carbon filter (25) out of the device.

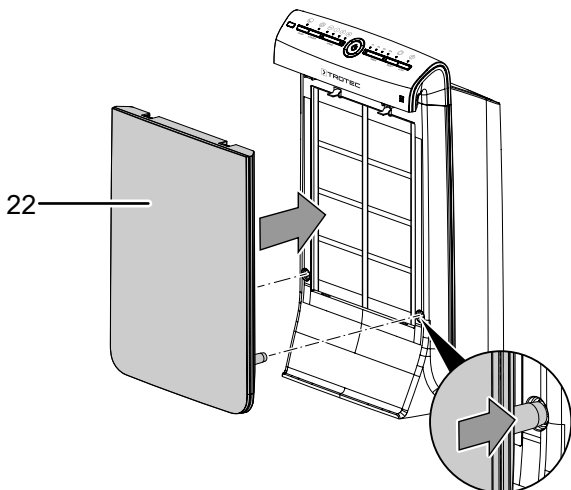


10. Reinsert the prefilter (23) into the device.



5. Dispose of the HEPA filter and activated carbon filter according to the national regulations.
6. Take the new activated carbon filter out of the plastic cover.

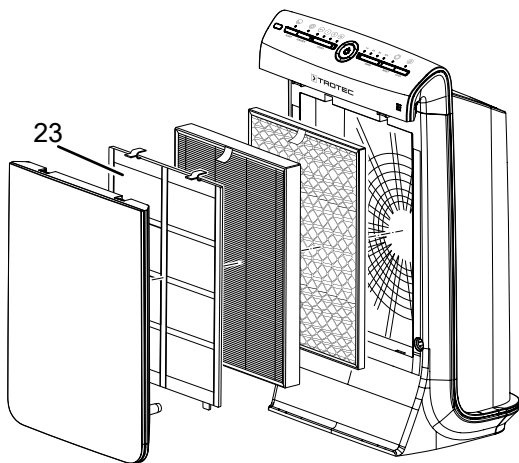
- Put the device cover (22) back on the device.



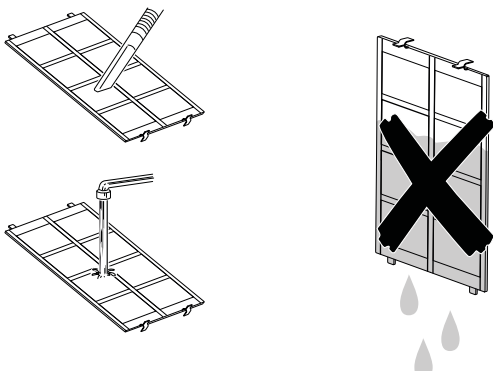
Cleaning the pre-filters

The *Reset* LED (13) is illuminated if it is required to clean the prefilter (see Chapter Operation and Chapter Errors and faults).

- Remove the prefilter (23) from the device.



- Clean the filter using a slightly damp, soft, lint-free cloth. If the filter is heavily contaminated, clean it with warm water mixed with a neutral cleaning agent.

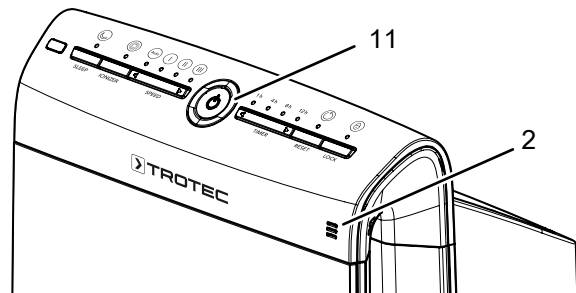


- Allow the filter to dry completely. Do not insert a wet filter into the device!
- Reinsert the prefilter into the device.

Cleaning the air quality sensor

The air quality sensor (2) has to be cleaned once it is soiled and if the *air quality* LED (11) is illuminated in red for a longer period of time (please also refer to the Chapter Operation and the Chapter Errors and faults).

- Clean the sensor using a soft, lint-free cloth. Do not use water to clean the sensor as it could damage it.



Activities required after maintenance

If you want to continue using the device:

- Reconnect the device to the mains.

If you do not intend to use the device for a considerable time:

- Store the device according to the Storage chapter.

Technical annex

Technical data

Parameter	Value
Model	AirgoClean® 100 E
Air flow rate with HEPA filter	
Fan stage I	60 m ³ /h
Fan stage II	105 m ³ /h
Fan stage III	145 m ³ /h
Ambient temperature	0 °C to 35 °C
Operating range	0 % to 90 % RH
Mains connection	220-240 V / 50 Hz
Power consumption	39 W
Nominal current	0.2 A
Sound pressure level (at a distance of 1 m)	46 dB(A)
Dimensions (length x width x height)	321 x 210 x 523 mm
Minimum distance to walls and other objects	
A: top	30 cm
B: rear	30 cm
C: side	30 cm
D: front	30 cm
Weight	5 kg
Remote control batteries	3 V CR2032

Disposal



The icon with the crossed-out waste bin on waste electrical or electronic equipment stipulates that this equipment must not be disposed of with the household waste at the end of its life. You will find collection points for free return of waste electrical and electronic equipment in your vicinity. The addresses can be obtained from your municipality or local administration. For further return options provided by us please refer to our website <https://de.trotec.com/shop/>.

The separate collection of waste electrical and electronic equipment aims to enable the re-use, recycling and other forms of recovery of waste equipment as well as to prevent negative effects for the environment and human health caused by the disposal of hazardous substances potentially contained in the equipment.



In the European Union, batteries and accumulators must not be treated as domestic waste, but must be disposed of professionally in accordance with Directive 2006/66/EC of the European Parliament and of the Council of 6 September 2006 on batteries and accumulators. Please dispose of batteries and accumulators according to the relevant legal requirements.

Trotec GmbH

Grebbener Str. 7
D-52525 Heinsberg

☎ +49 2452 962-400

☎ +49 2452 962-200

✉ info@trotec.com

www.trotec.com